

[54] ELECTRIC STAPLER

[75] Inventor: John F. Ewig, Worcester, Mass.

[73] Assignee: Parker Manufacturing Company, Worcester, Mass.

[**] Term: 14 Years

[21] Appl. No.: 148,719

[22] Filed: May 12, 1980

[51] Int. Cl. D8-05

[52] U.S. Cl. D8/49; D8/61

[58] Field of Search D8/61, 69, 49-50; 227/131, 132

References Cited

U.S. PATENT DOCUMENTS

- D. 210,978 5/1968 Preble D8/49
- D. 241,501 9/1976 Doyle D8/49

- 3,141,171 7/1964 Doyle .
- 3,786,978 1/1974 Manganaro 227/131
- 4,183,453 12/1979 Barrett et al. 227/131

Primary Examiner—George P. Word
Attorney, Agent, or Firm—Thompson, Birch, Gauthier & Samuels

[57] CLAIM

The ornamental design for an electric stapler, as shown and described.

DESCRIPTION

FIG. 1 is a front elevational view of an electric stapler showing my new design.

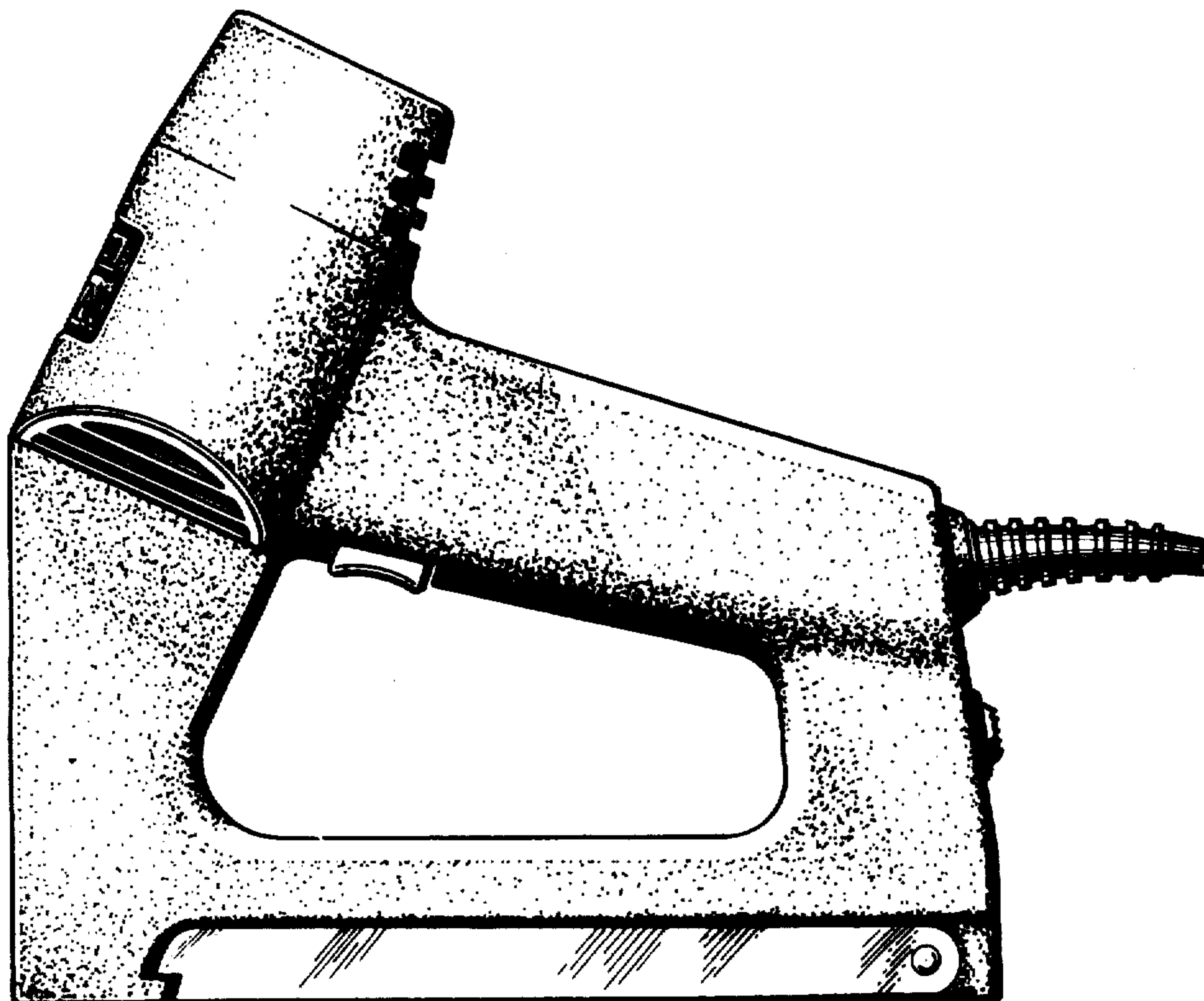
FIG. 2 is a left-end elevational view thereof.

FIG. 3 is a right-end elevational view thereof.

FIG. 4 is a top plan view thereof; and

FIG. 5 is a bottom plan view thereof.

The rear elevational view of the electric stapler is substantially a mirror image of FIG. 1.



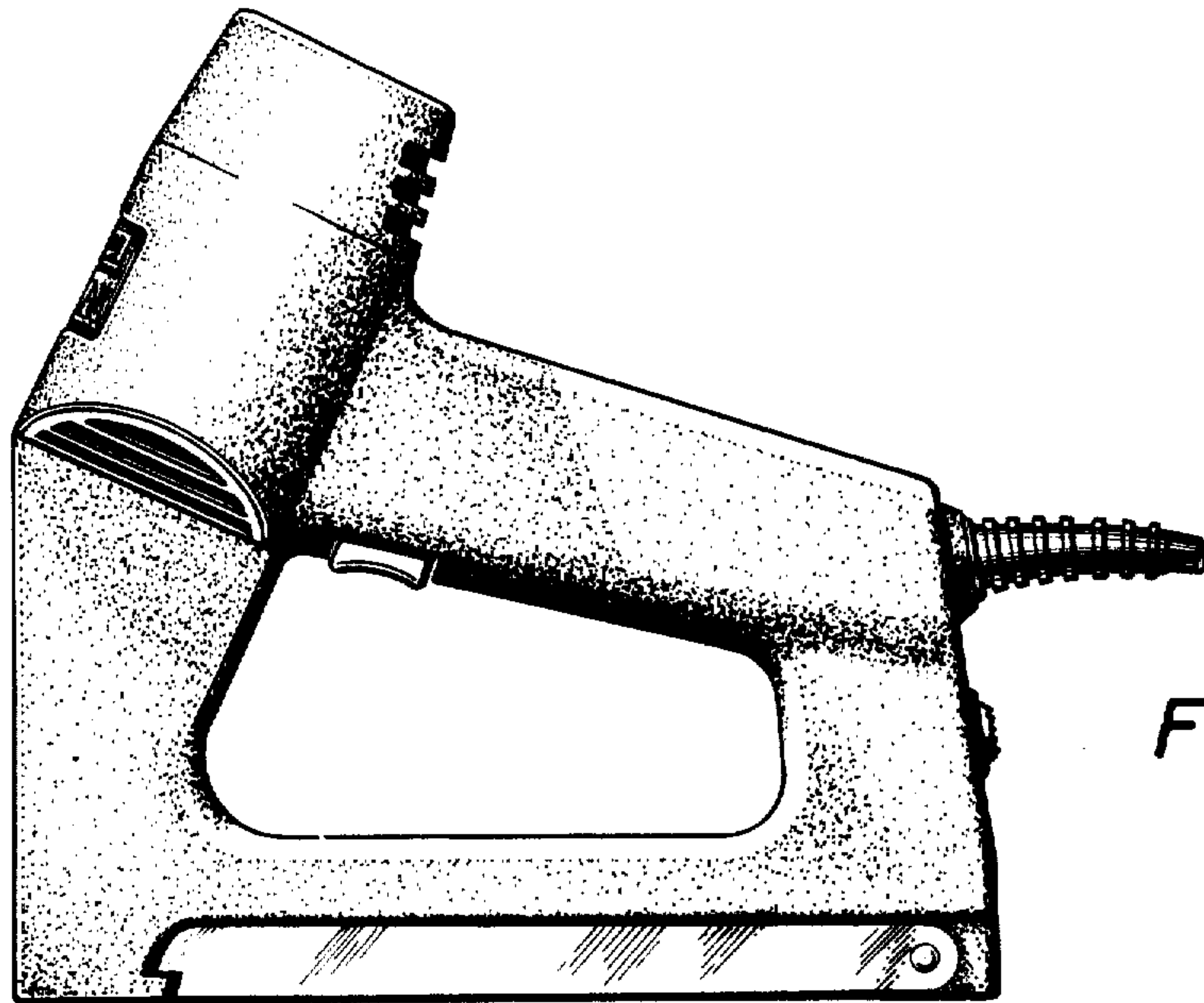


Fig. 1

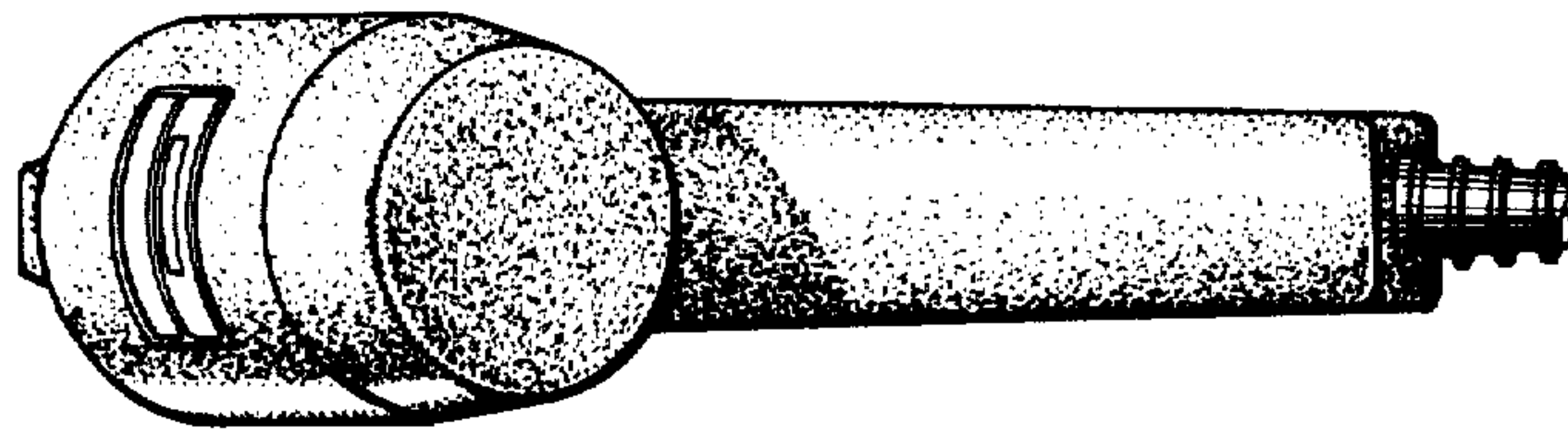


Fig. 4

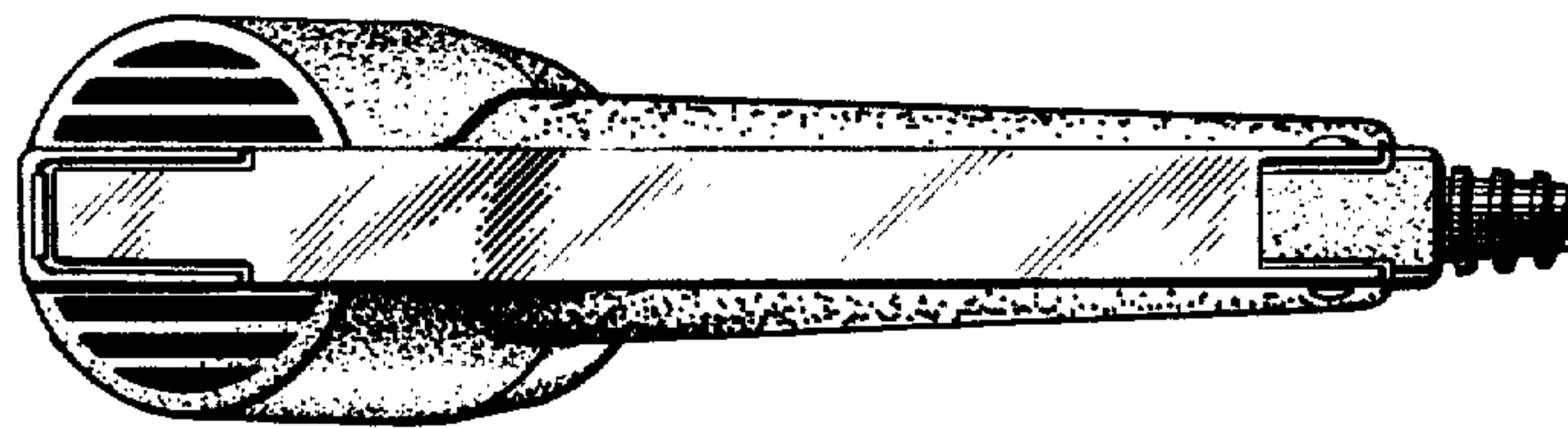


Fig. 5

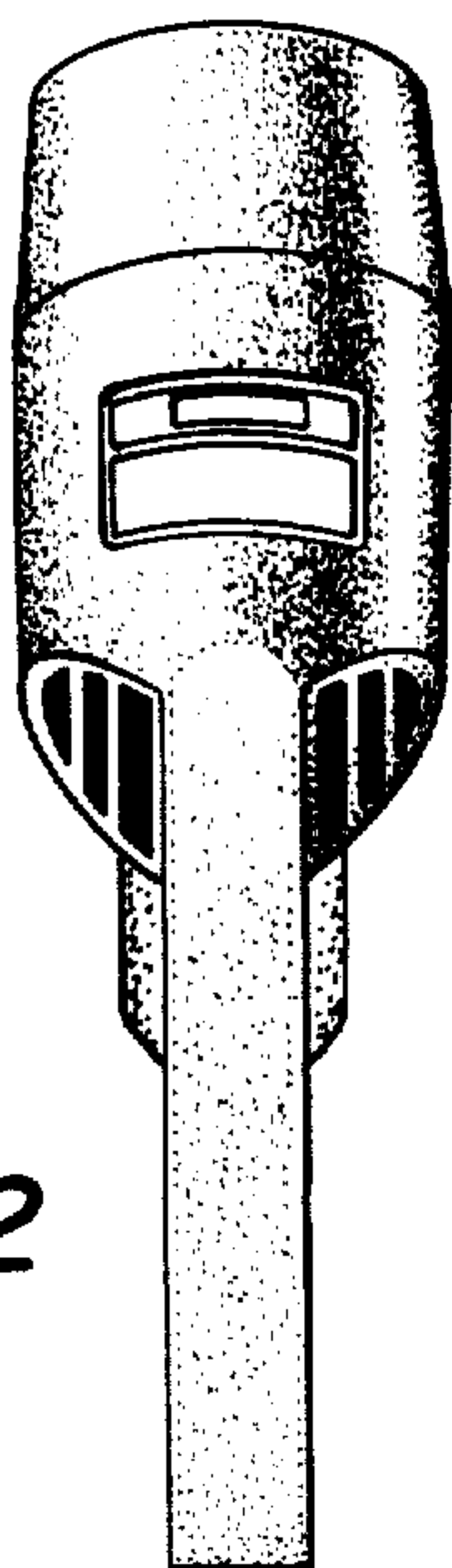


Fig. 2

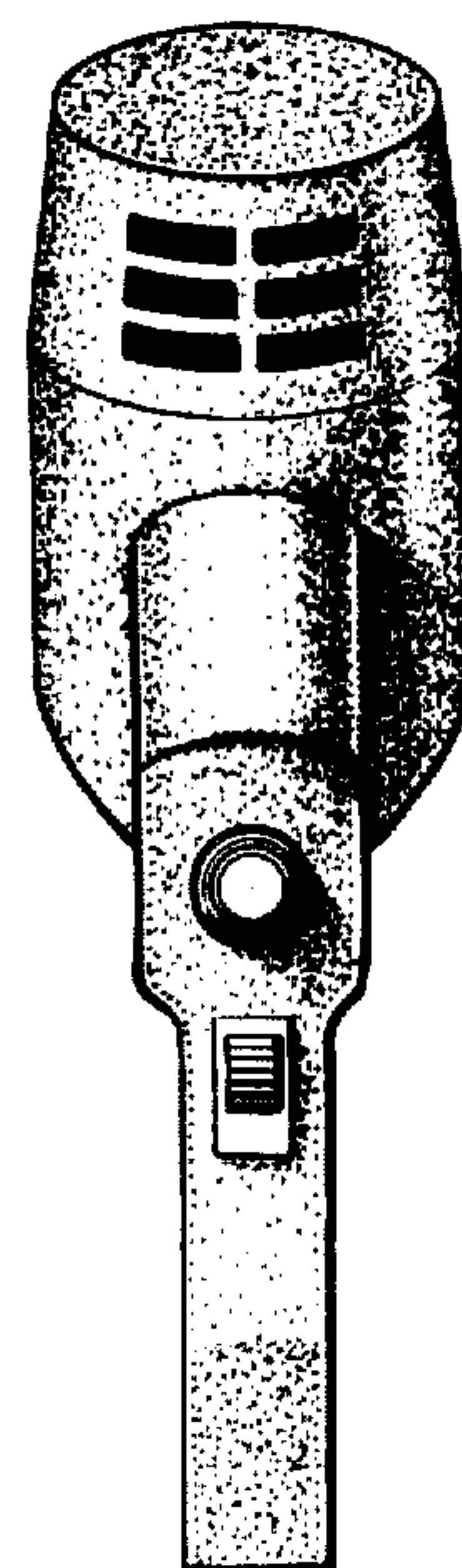


Fig. 3