

[54] DISPLAY CASE

[76] Inventor: Frank W. Brittner, 2719 Edison St., Pittsburgh, Pa. 15212

[\*\*] Term: 14 Years

[21] Appl. No.: 75,825

[22] Filed: Sep. 14, 1979

[51] Int. Cl. .... D6-04

[52] U.S. Cl. .... D6/172

[58] Field of Search ..... D6/85, 146, 172; 312/114, 117, 186, 284, 305

2,636,797	4/1953	Alheit .	
2,944,761	7/1960	Best .	
3,008,568	11/1961	Van Doren .	
3,248,815	5/1966	Arage .....	312/305
3,545,832	12/1970	Levenback .	
3,860,306	1/1975	Kenyon .	

Primary Examiner—Peter M. Caun  
Attorney, Agent, or Firm—Stanley J. Price, Jr.; John M. Adams

[57] CLAIM

The ornamental design for a display case, as shown and described.

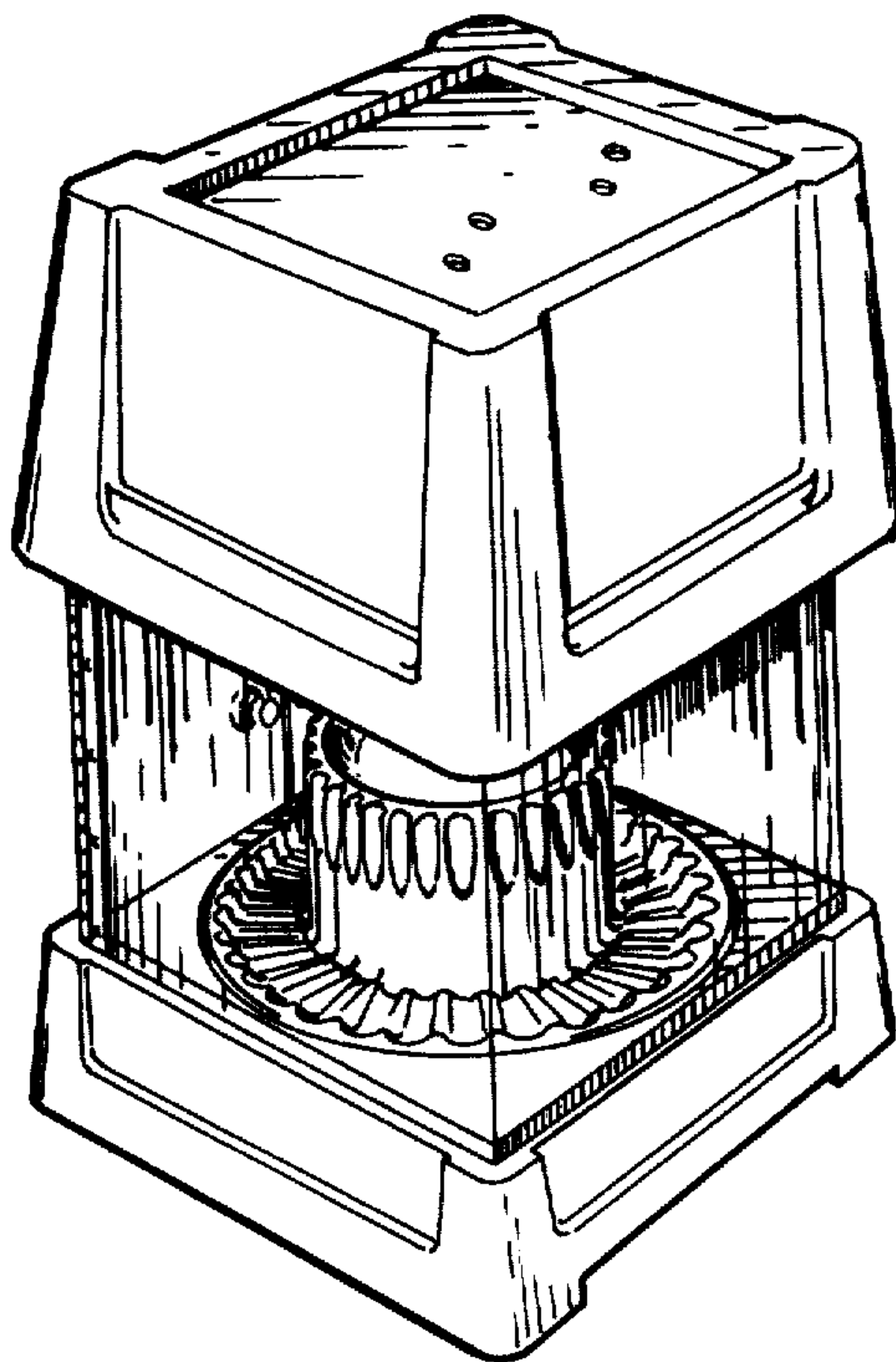
DESCRIPTION

FIG. 1 is a perspective view of a display case showing my new design;  
FIG. 2 is a rear elevational view thereof;  
FIG. 3 is a right side elevational view thereof;  
FIG. 4 is a front elevational view thereof;  
FIG. 5 is a left side elevational view thereof;  
FIG. 6 is a top plan view thereof;  
FIG. 7 is a bottom view thereof.

[56] References Cited

U.S. PATENT DOCUMENTS

228,812	6/1880	Greenbaum .	
D. 237,768	11/1975	Tipple .....	D6/172
615,032	11/1898	Mandel .	
631,083	8/1899	Levinson .	
1,210,258	12/1916	Babione .	
2,418,062	3/1947	Abrahamson .	



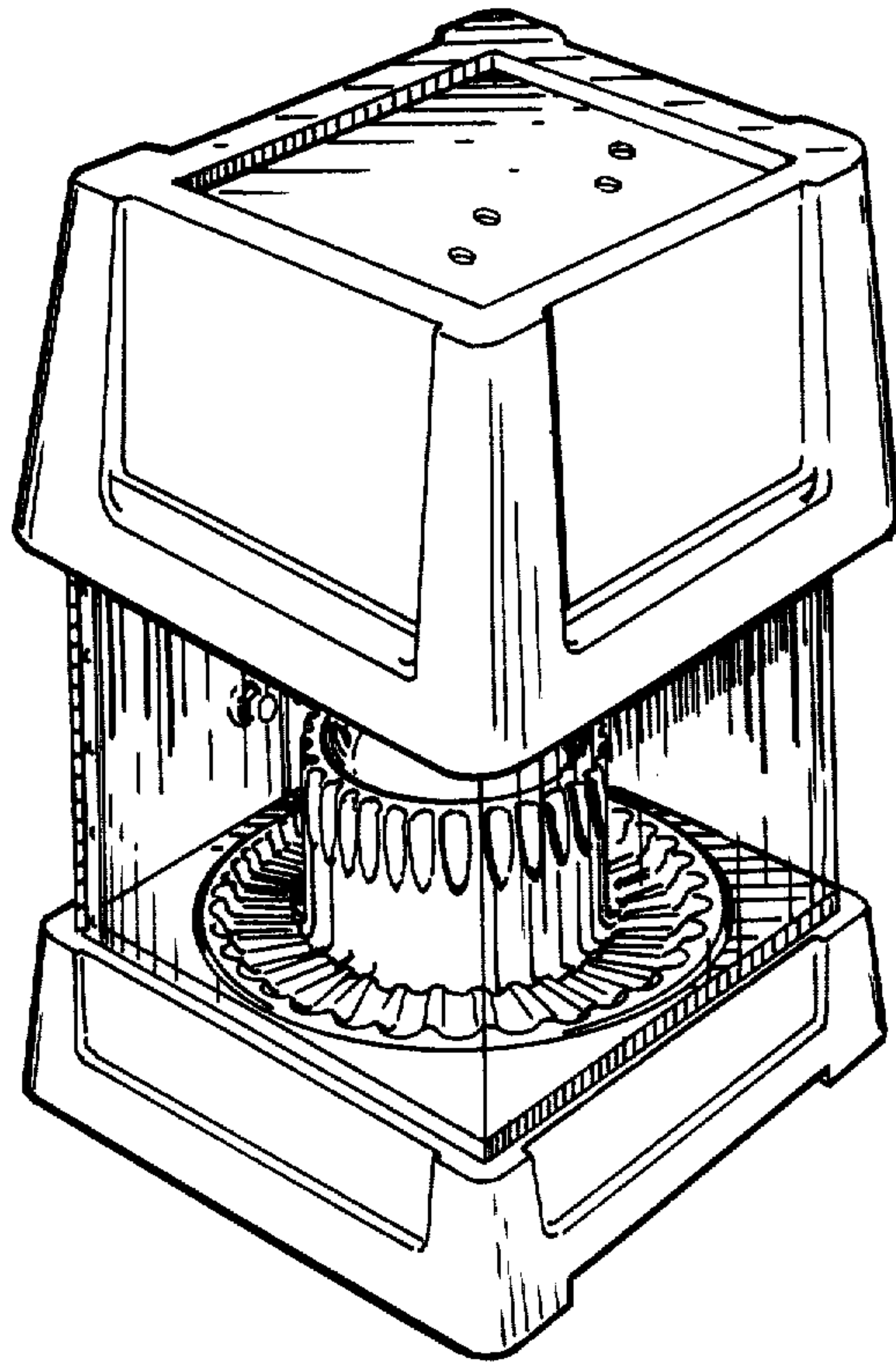


FIG. 1

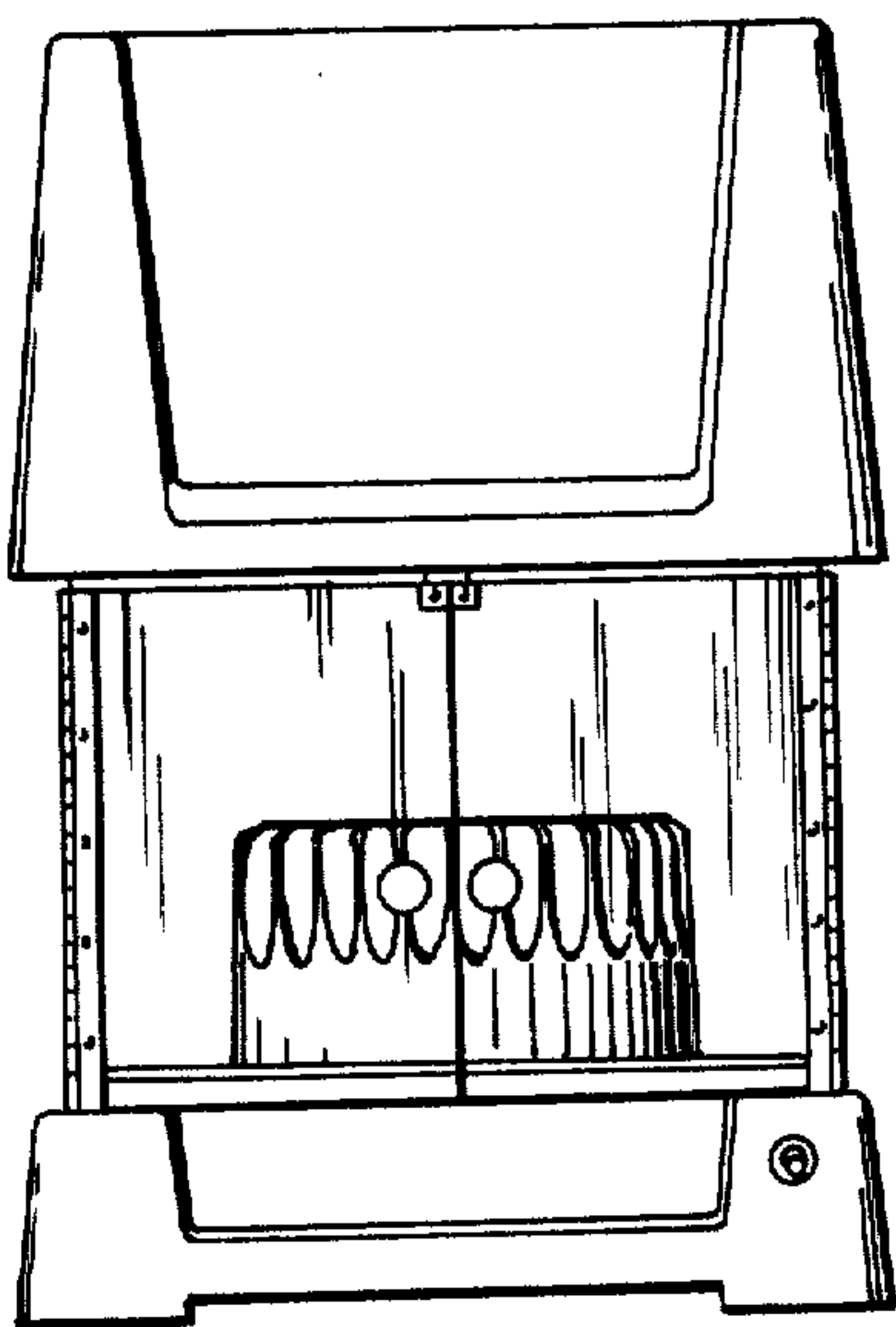


FIG. 2

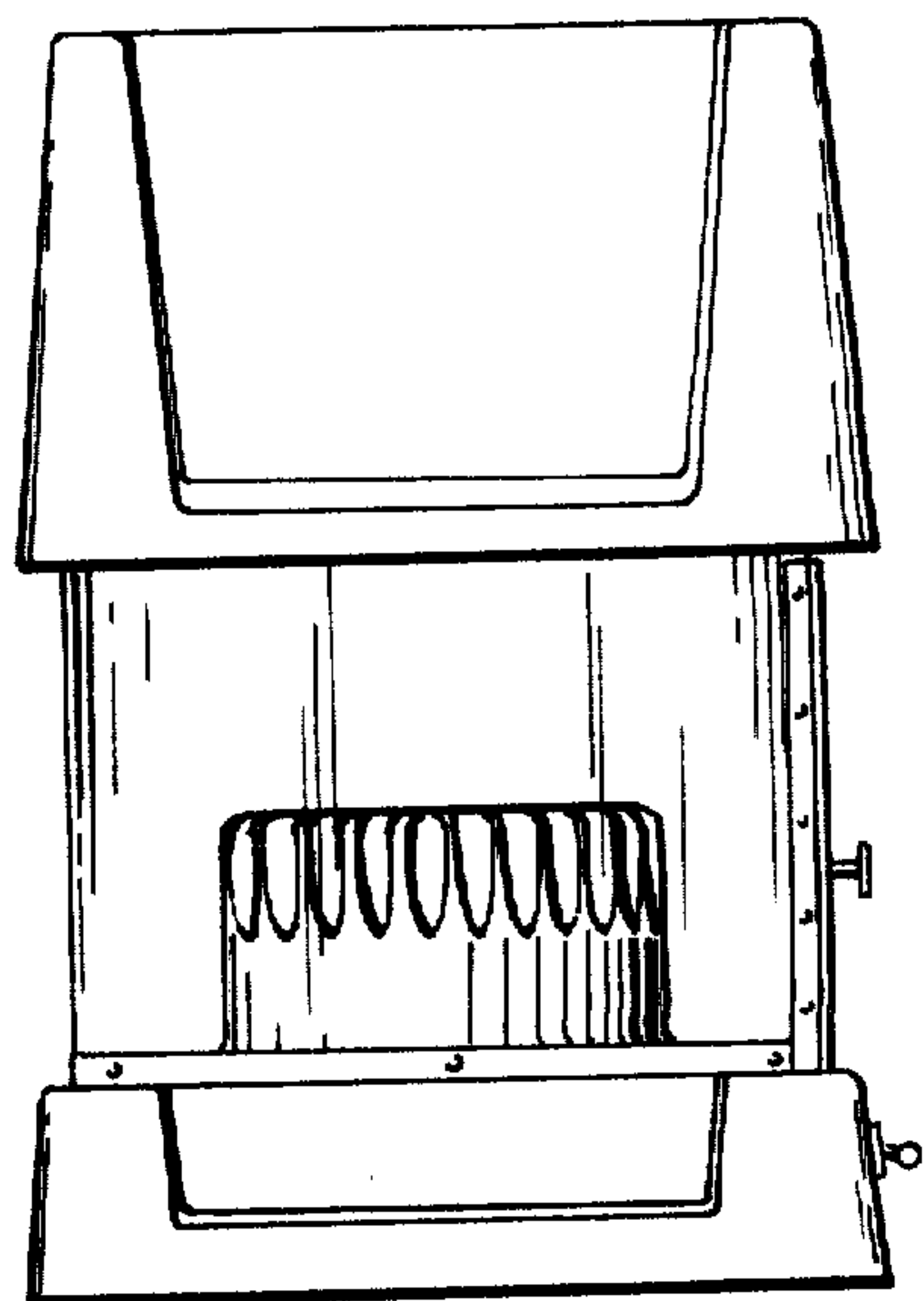


FIG. 3

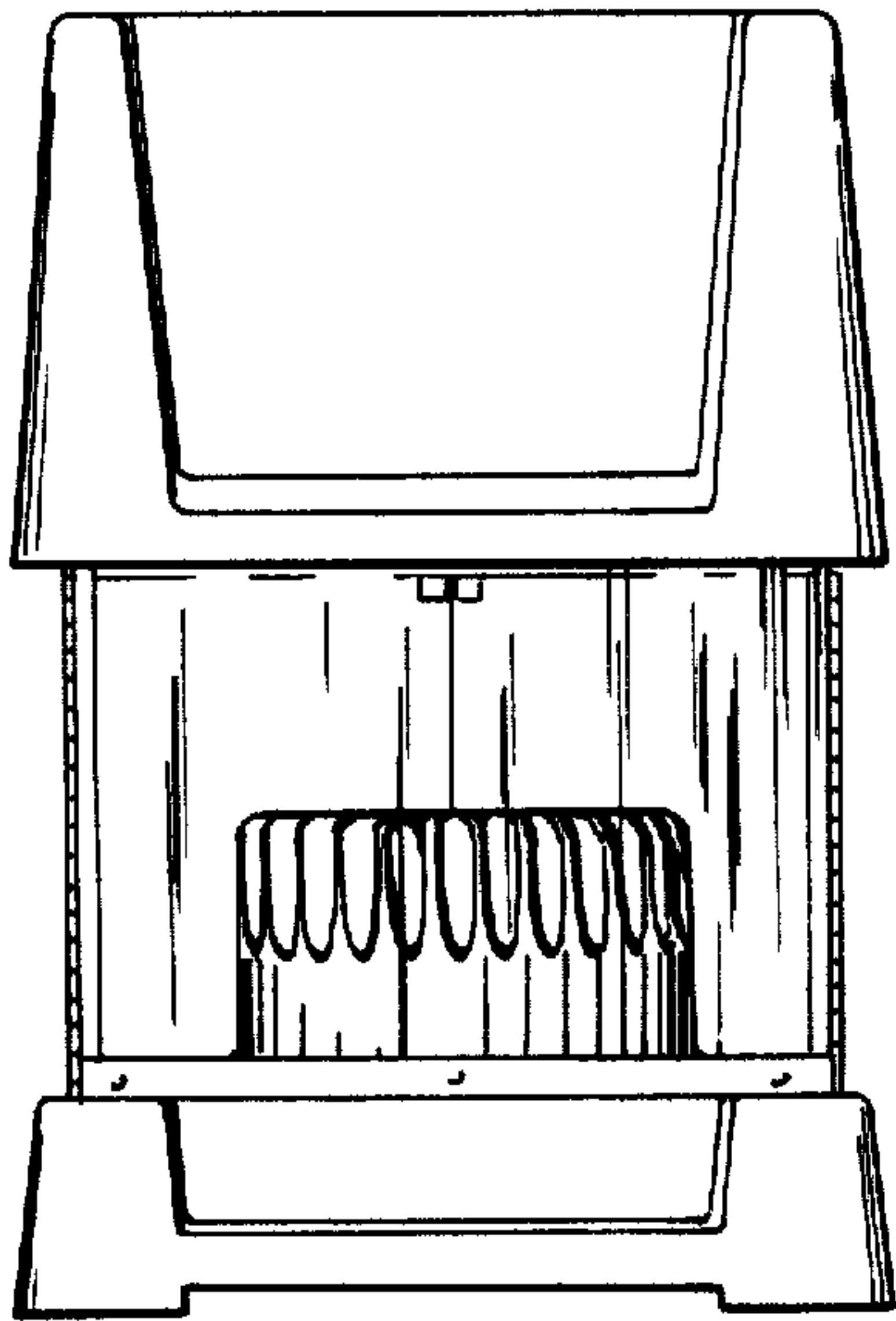


FIG. 4

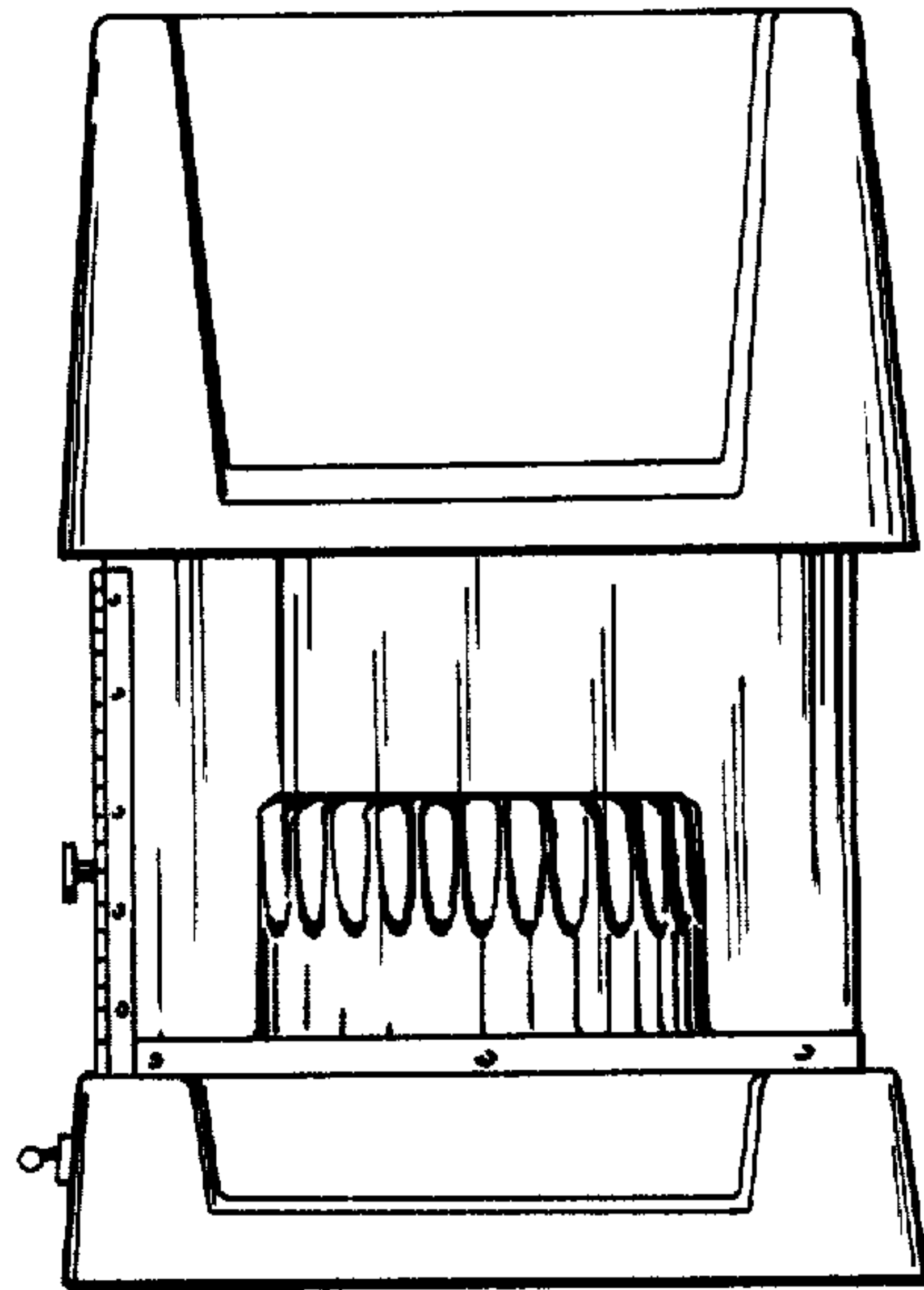


FIG. 5

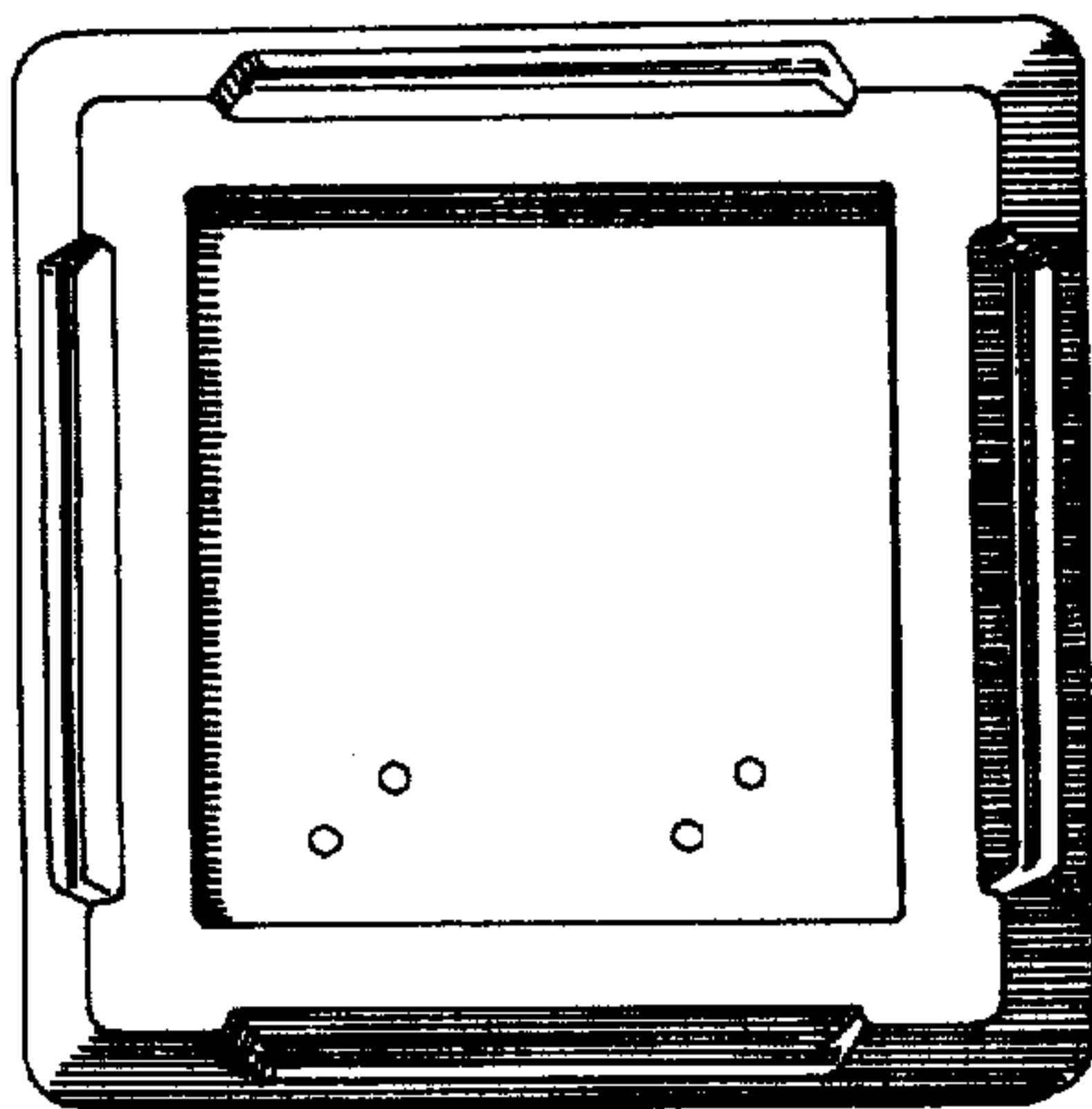


FIG. 6

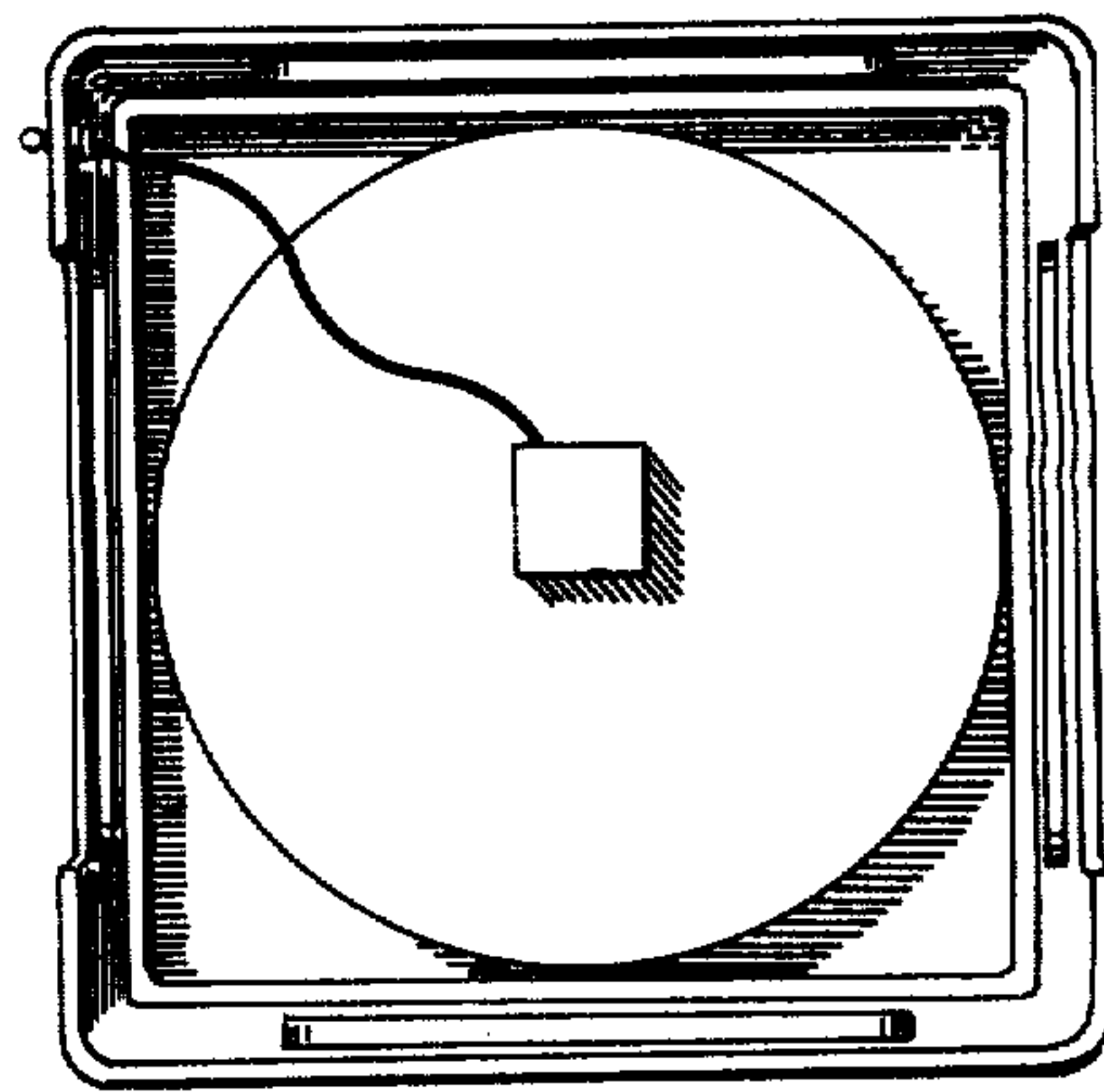


FIG. 7