

[54] BATHROOM ACCESSORY HOUSING

[75] Inventor: Reg Littlefield, Toronto, Canada

[73] Assignee: Aqualine Products Limited, Mississauga, Canada

[**] Term: 14 Years

[21] Appl. No.: 284,174

[22] Filed: Jul. 17, 1981

[51] Int. Cl. D23-02

[52] U.S. Cl. D6/97; D6/86

[58] Field of Search D6/86, 96, 97, 99, 101, D6/149, 232, 241; D11/132; D8/306, 350.3; 174/66, 67; 242/55.2, 55.55; 312/38, 39

[56] References Cited

U.S. PATENT DOCUMENTS

- D. 231,292 4/1974 Tegner D6/97
- D. 239,069 3/1976 Read et al. D6/97
- D. 245,223 8/1977 Fine D8/350

D. 246,571 12/1977 Grieb D8/350

OTHER PUBLICATIONS

American Handicrafts Catalog; p. 29; Decoupage Board-Octagon J (5651).

Sweet's Architecture Catalog File 1977; Sec. 4.1/vet.; p. 5; pattern of rectangles.

Primary Examiner—B. J. Bullock

[57] CLAIM

The ornamental design for a bathroom accessory housing, as shown and described.

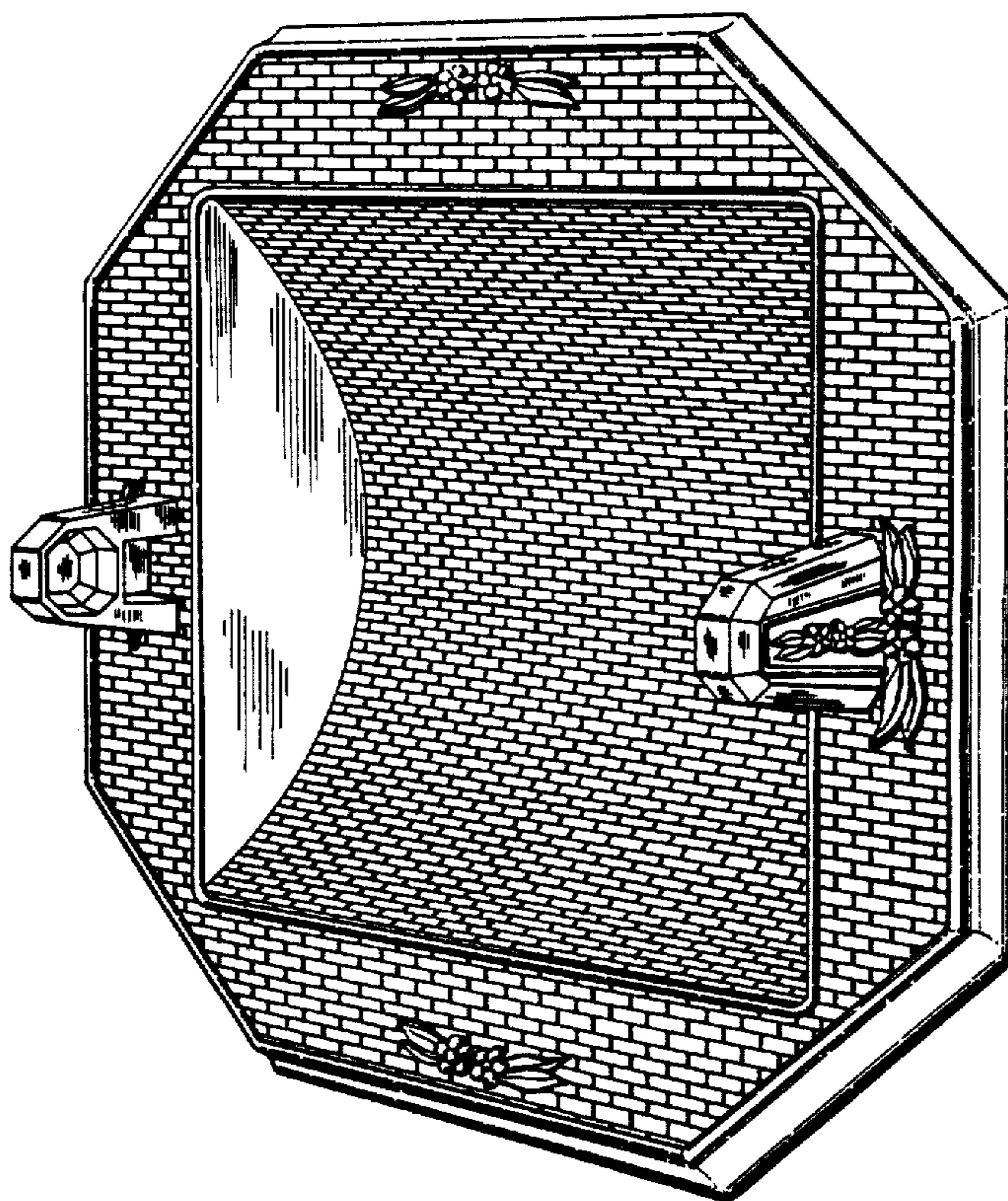
DESCRIPTION

FIG. 1 is a front perspective view of a bathroom accessory housing showing my new design;

FIG. 2 is a front elevational view thereof, the rear being unornamented;

FIG. 3 is a top plan view thereof, the bottom being a mirror image;

FIG. 4 is a side elevational view taken from the left of FIG. 1, the side opposite being a mirror image.



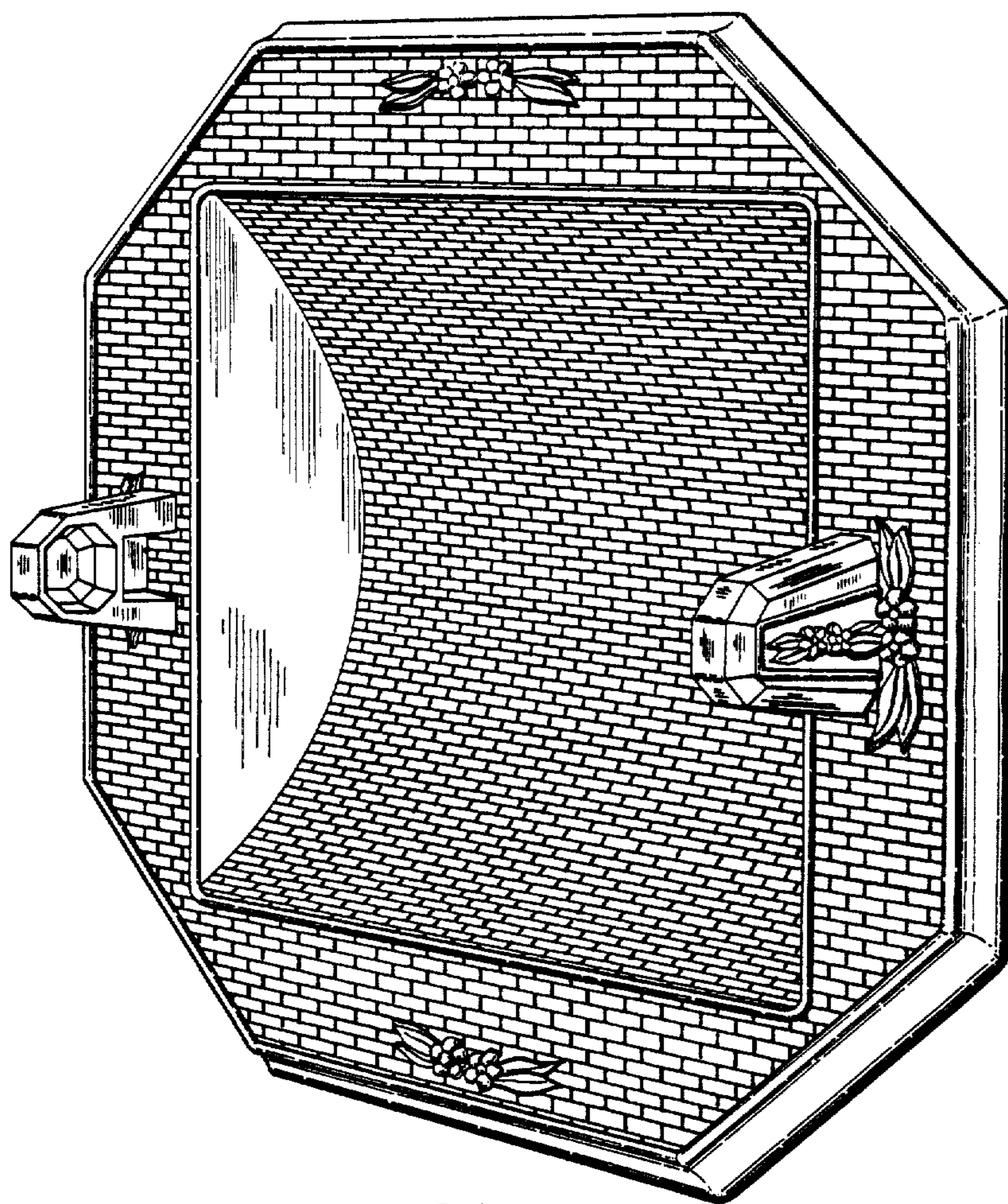


FIG. 1.

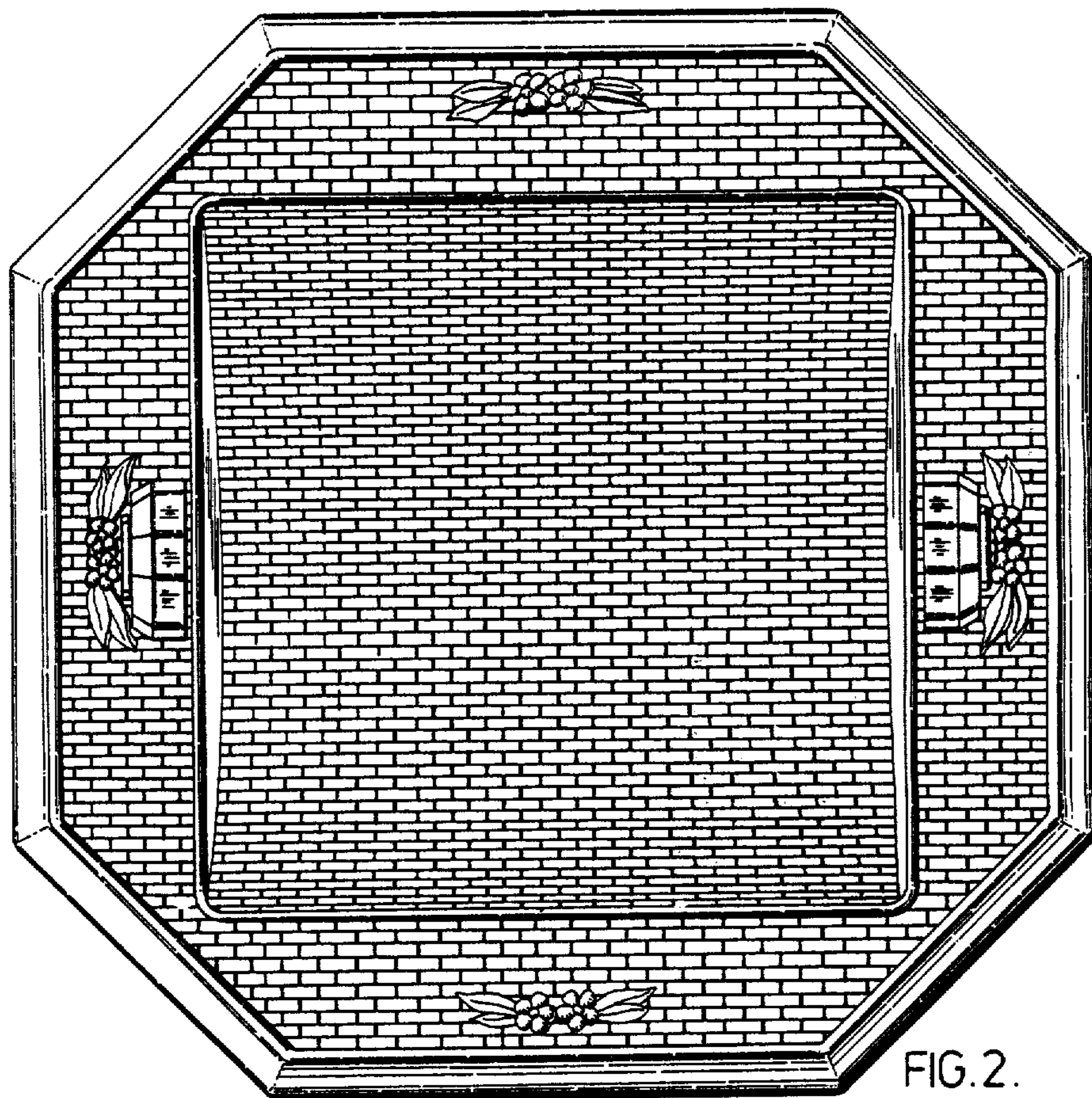


FIG. 2.

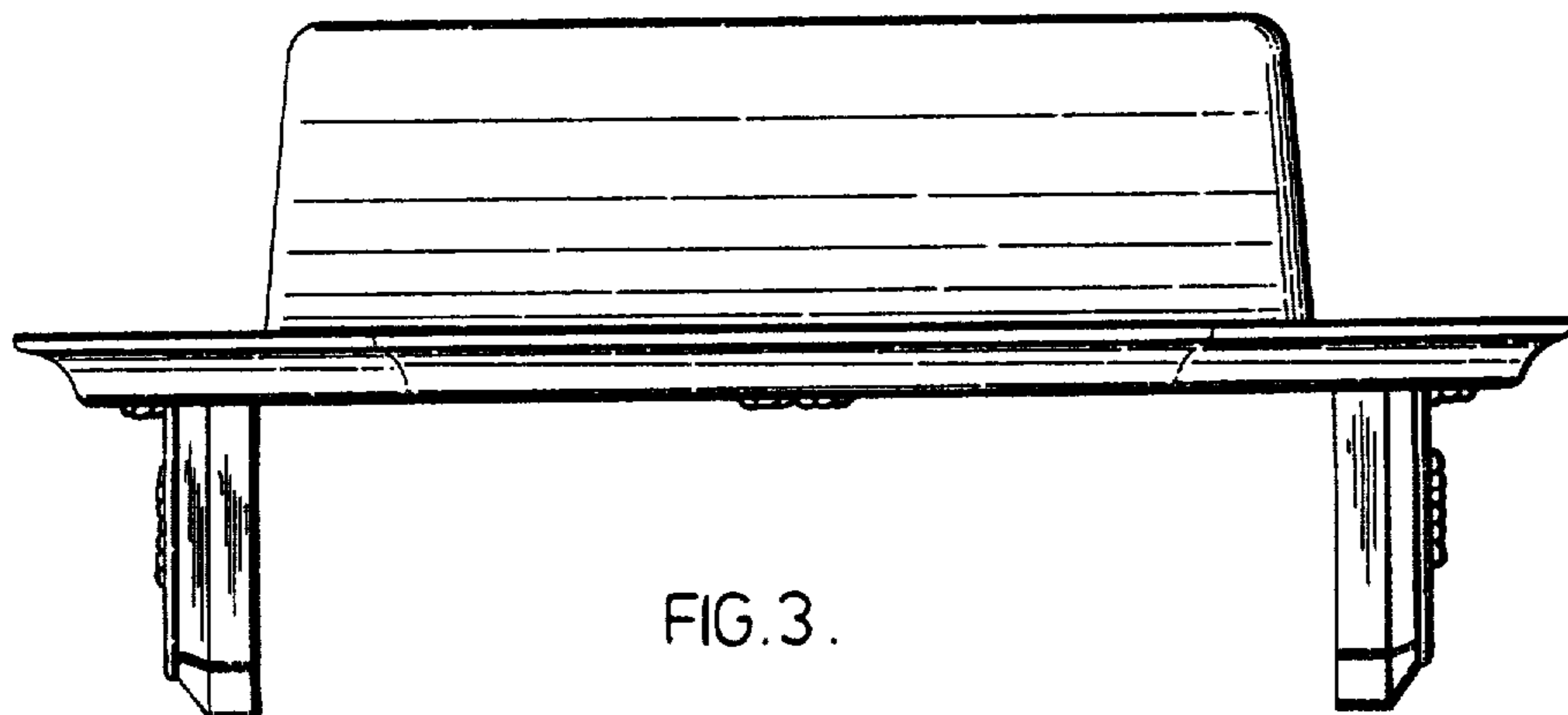


FIG. 3.

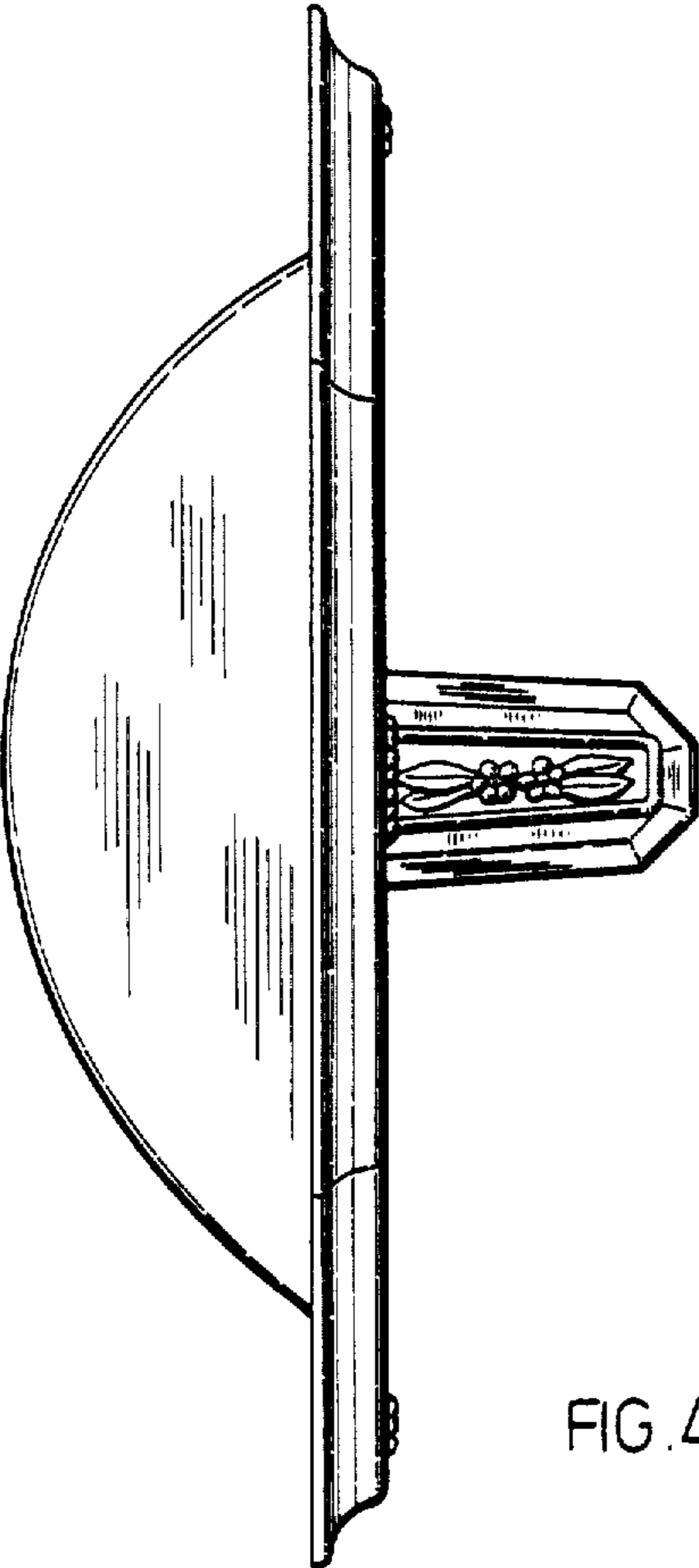


FIG. 4.