

[54] TOILET TISSUE ROLL HOLDER

[75] Inventor: John Heil, Dayton, Ohio

[73] Assignee: Allcraft Plastic Company, Inc., Dayton, Ohio

[**] Term: 14 Years

[21] Appl. No.: 243,524

[22] Filed: Mar. 13, 1981

[51] Int. Cl. D25-02

[52] U.S. Cl. D6/97

[58] Field of Search D6/86-103, D6/114; 211/87, 88, 90; 206/389, 391, 409; 248/309 R; 242/55.2, 55.3, 55.53, 55.54, 55.55, 55.42; D8/373

[56]

References Cited

U.S. PATENT DOCUMENTS

D. 254,413	3/1980	Pool	D6/97
1,687,819	10/1928	Worthington	242/55.2
1,692,059	11/1928	Starner	211/16
3,482,796	12/1969	Tucker	242/55.2

Primary Examiner—B. J. Bullock
Attorney, Agent, or Firm—Becker & Becker, Inc.

[57]

CLAIM

The ornamental design for a toilet tissue roll holder, as shown and described.

DESCRIPTION

FIG. 1 is an isometric view from the left side of a toilet tissue roll holder, showing my new design; and FIG. 2 is an isometric view from the right side thereof. The rear is flat and unornamented.

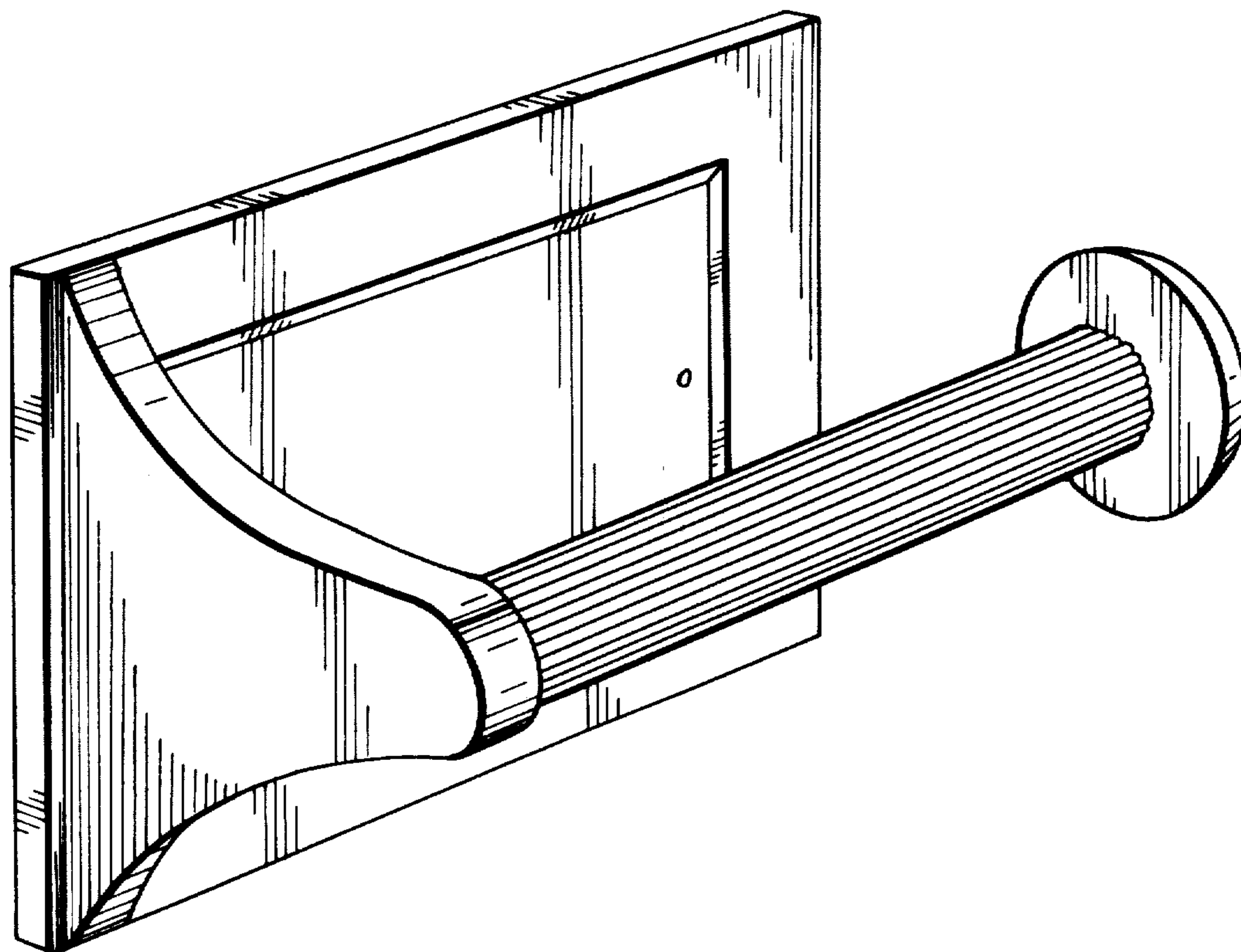


FIG-1

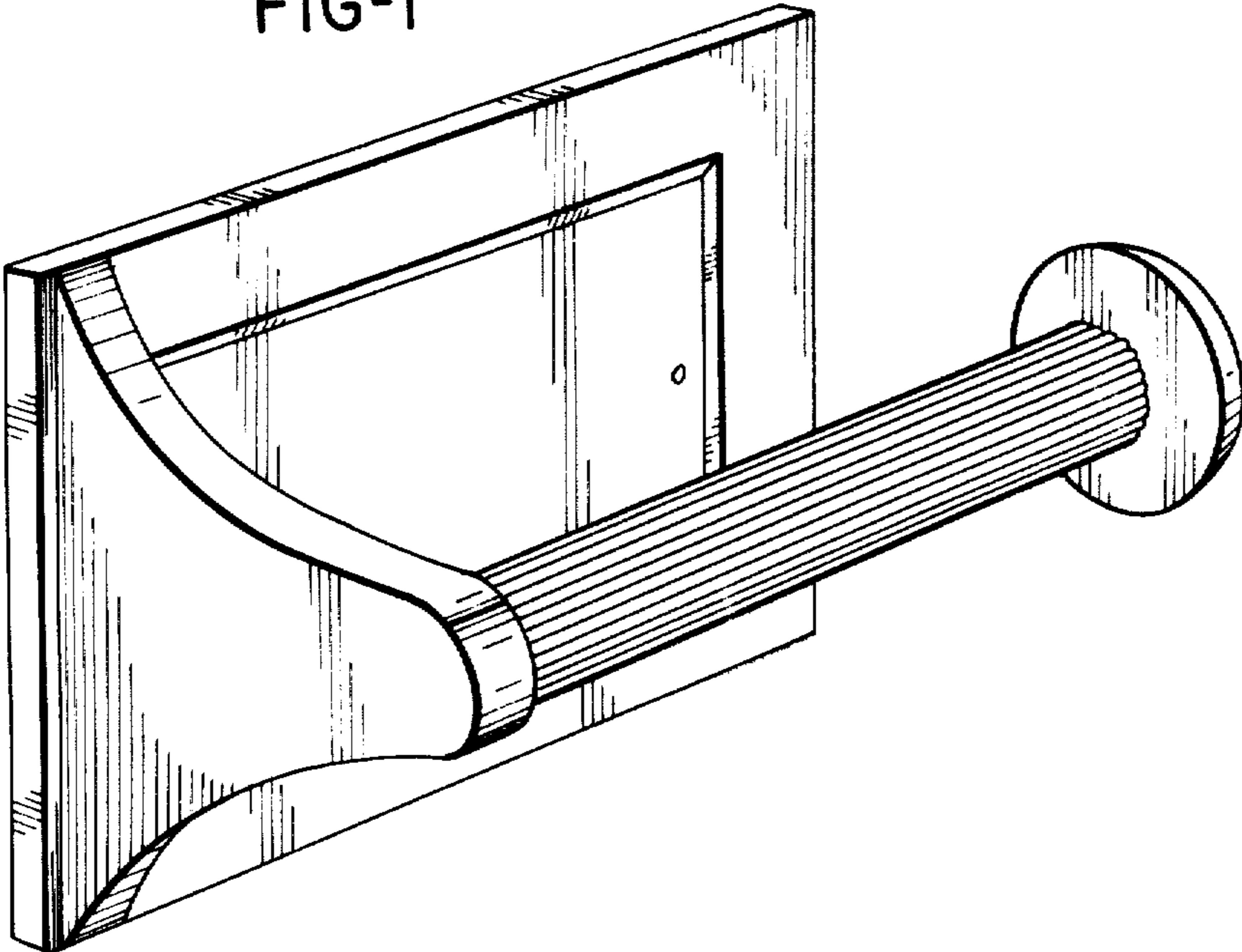


FIG-2

