

[54] COMBINED TABLE AND SEATING UNIT

[76] Inventors: Howard L. Thom; Leslie A. Thom; Linda D. Padilla, all of Rte. 1 South, Box 327, Laurel, Mont. 59044

[\*\*] Term: 14 Years

[21] Appl. No.: 189,746

[22] Filed: Sep. 23, 1980

[51] Int. Cl. .... D6-05

[52] U.S. Cl. .... D6/45; D6/146

[58] Field of Search .... D6/45, 146-149, D6/175, 177-179; 297/157

[56] References Cited

U.S. PATENT DOCUMENTS

D. 165,710 1/1952 Currie et al. .... D6/45

D. 196,121	8/1963	Soszynski	.....	D6/45
D. 211,796	7/1968	Conklin	.....	D6/45
2,713,889	7/1955	White	.....	297/157
3,542,420	11/1970	Priewe	.....	297/157
3,572,824	3/1971	Schubach	.....	297/157

Primary Examiner—Bruce W. Dunkins  
Attorney, Agent, or Firm—Harvey B. Jacobson

[57] CLAIM

The ornamental design for a combined table and seating unit, as shown.

DESCRIPTION

FIG. 1 is a perspective view of a combined table and seating unit showing our new design; FIG. 2 is a side elevational view thereof; FIG. 3 is a top plan view thereof; and FIG. 4 is a bottom view thereof.

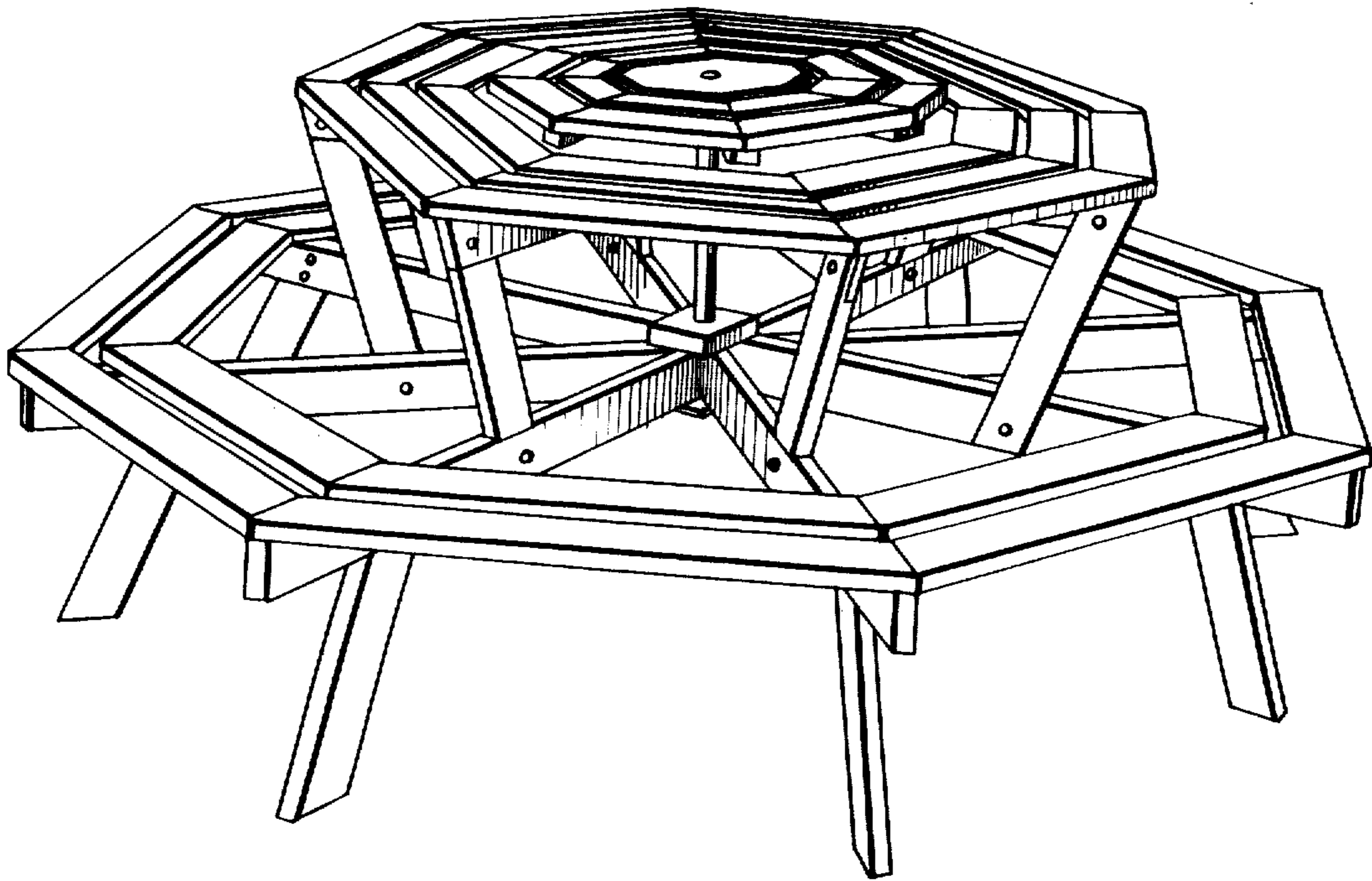


FIG. 1

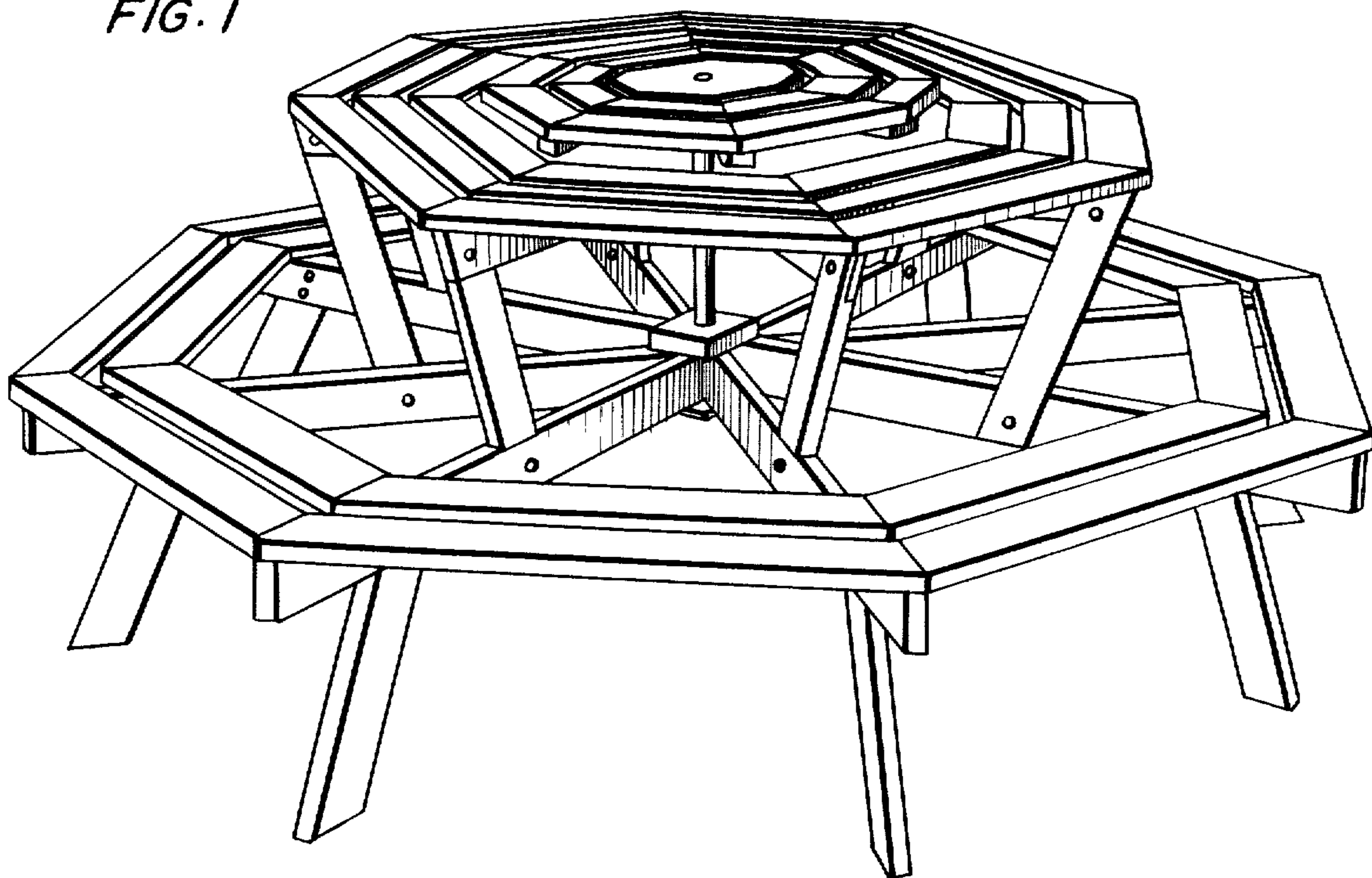
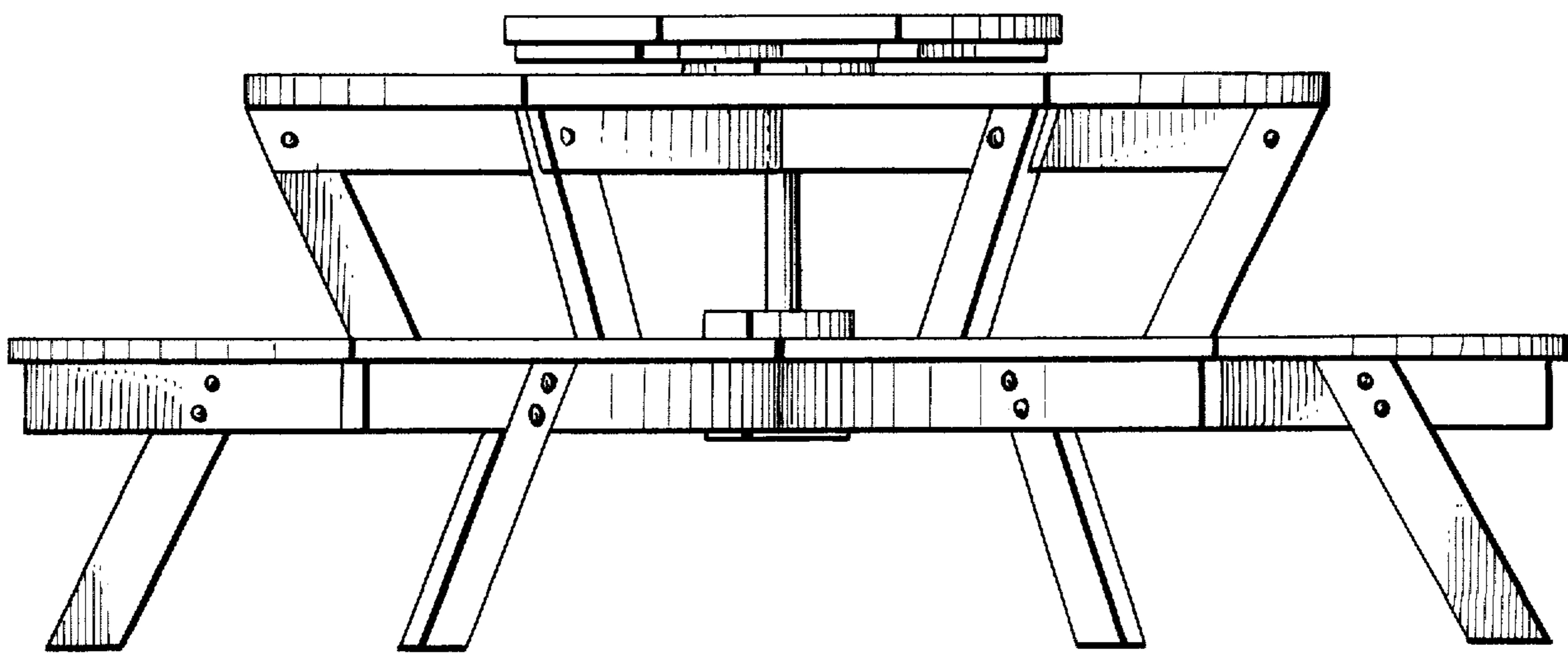
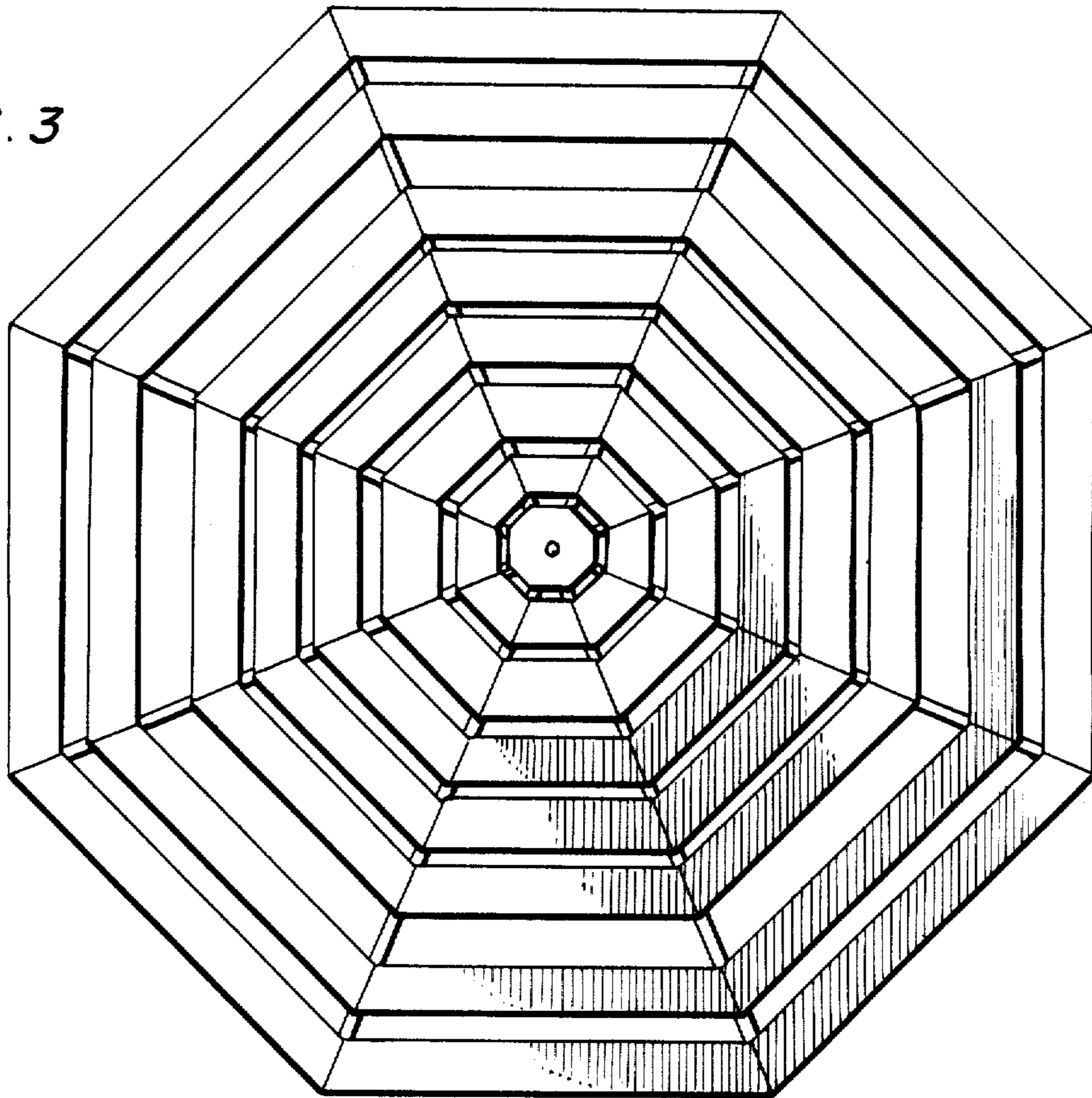


FIG. 2



*FIG. 3*



*FIG. 4*

