

[54] DISPLAY RACK MODULE

[76] Inventor: **Wolf-Dietrich Hannecke, Rischenau**
Weg 6, 3410 Northeim, Fed. Rep. of
Germany

[**] Term: **14 Years**

[21] Appl. No.: **38,723**

[22] Filed: **May 14, 1979**

[30] Foreign Application Priority Data

Feb. 2, 1979 [DE] Fed. Rep. of Germany ... 11 MR 47

[51] Int. Cl. **D20-02**

[52] U.S. Cl. **D6/25; D6/20;**
D6/24; D6/184; D6/189; D6/191

[58] Field of Search **D6/20, 23-25,**
D6/27-29, 85, 113, 157, 186, 184, 188-190, 191,
192, 199; 211/13, 49 R, 86, 107, 112, 88, 126,
128, 129, 131, 133, 163, 183

[56]

References Cited

U.S. PATENT DOCUMENTS

D. 148,071	12/1947	Katz	D6/189
D. 156,256	11/1949	Kivett	D6/189
D. 211,430	6/1968	Balos	D6/149
D. 222,600	11/1971	Wells	D6/20
D. 224,775	9/1972	Brother	D6/27
D. 234,475	3/1975	Markus	D6/24
D. 240,104	6/1976	Juhlin	D6/184
D. 247,530	3/1978	Edwards	D6/184

Primary Examiner—**B. J. Bullock**
Attorney, Agent, or Firm—**Michael J. Striker**

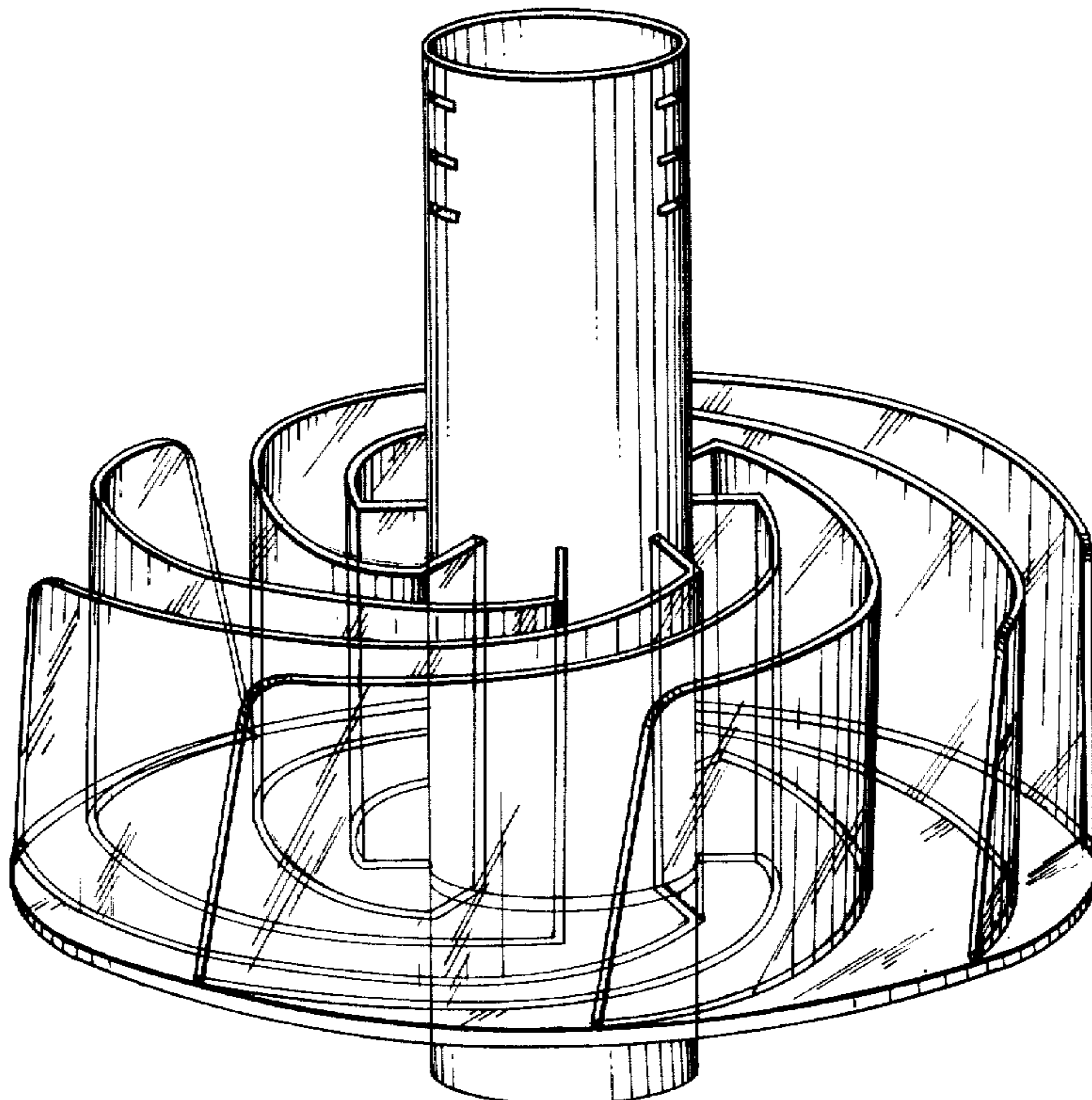
[57]

CLAIM

The ornamental design for a display rack module, substantially as shown and described.

DESCRIPTION

FIG. 1 is an isometric view showing a display rack module embodying my new design; FIG. 2 is a top plan view thereof; and FIG. 3 is a reduced side elevational view of a second embodiment of the design in FIG. 1, the only difference being the association of four modules, the broken lines being for illustrative purposes only.



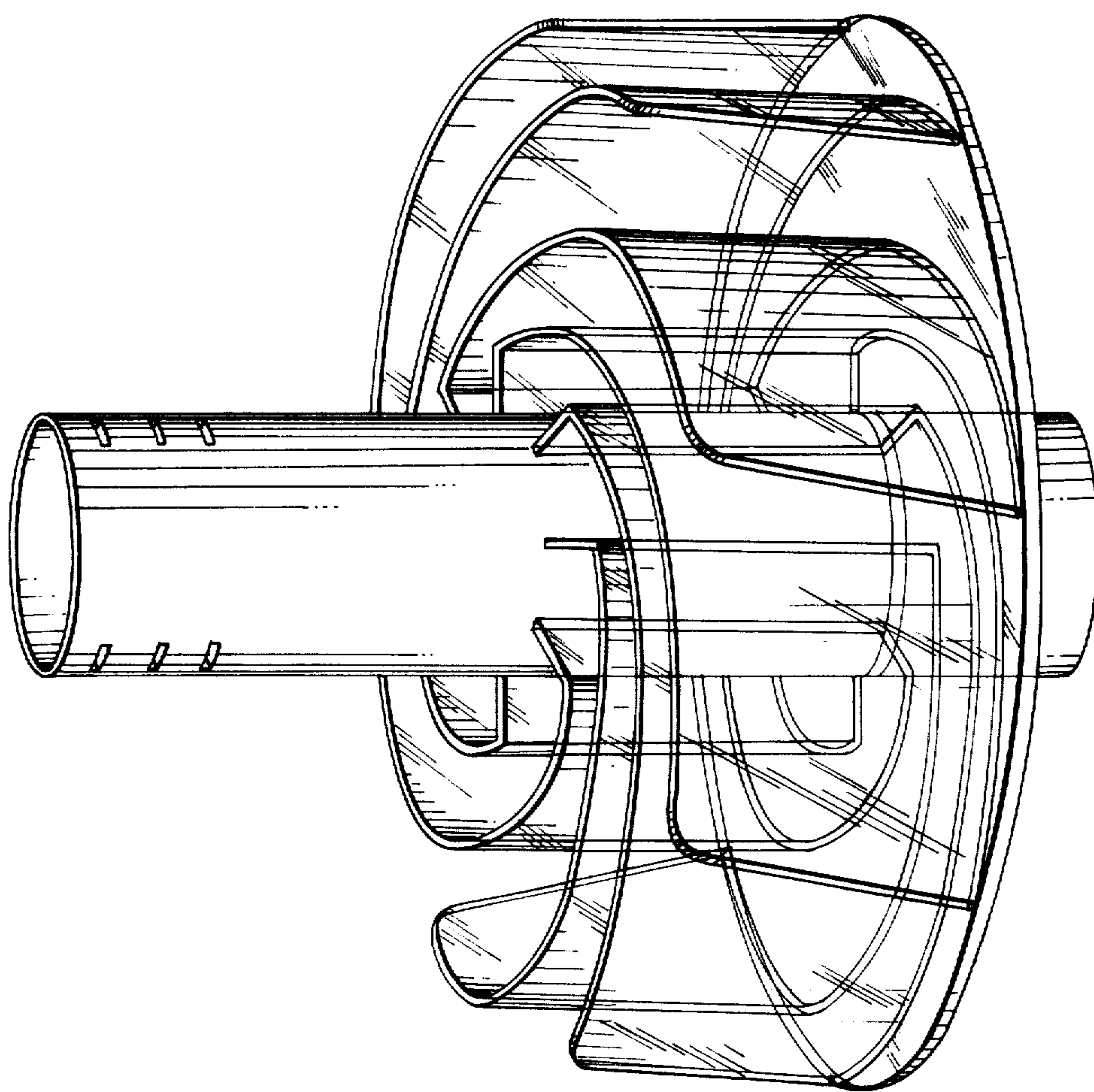


FIG. 1

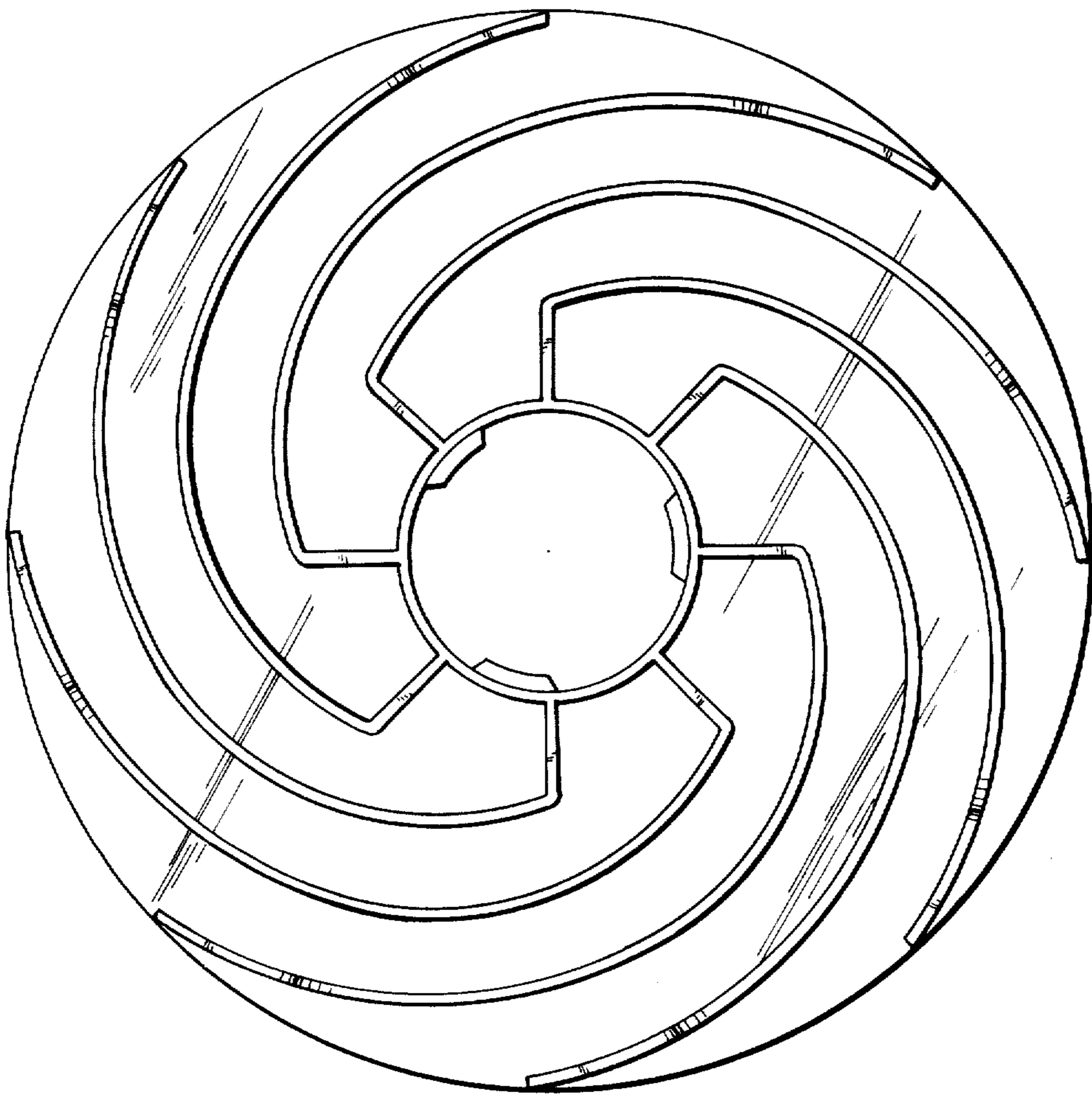
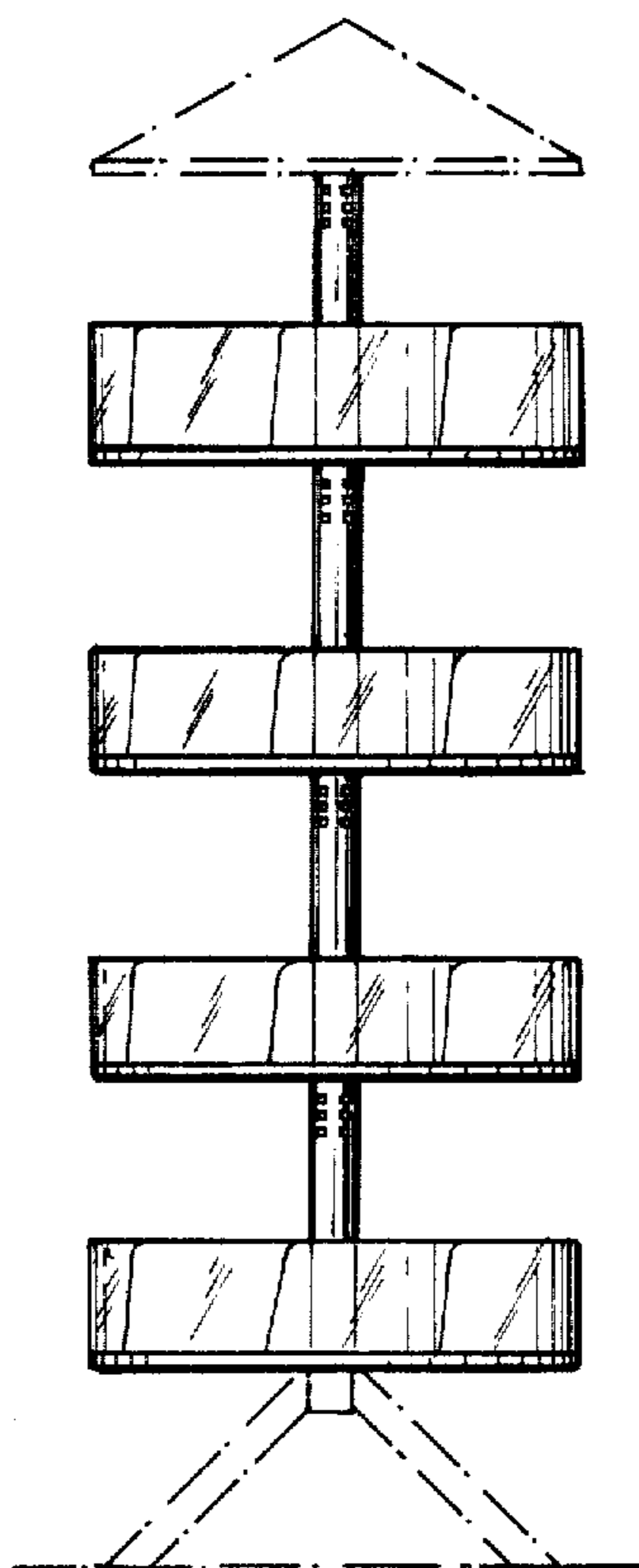


FIG. 2

FIG. 3



UNITED STATES PATENT AND TRADEMARK OFFICE
CERTIFICATE OF CORRECTION

PATENT NO. : Des. 266,210
DATED : September 21, 1982
INVENTOR(S) : Wolf-Dietrich Hannecke

It is certified that error appears in the above—identified patent and that said Letters Patent is hereby corrected as shown below:

On the title page
[30] The filing date of the German application 11 MR 47
should read -- January 10, 1979 --.

Signed and Sealed this
Thirty-first Day of July 1984

[SEAL]

Attest:

Attesting Officer

GERALD J. MOSSINGHOFF

Commissioner of Patents and Trademarks