

[54] **SURGICAL HEADLIGHT OR SIMILAR ARTICLE**

3,830,230 8/1974 Chester 362/105 X
4,104,709 8/1978 Kloots 362/105

[75] Inventors: **Richard E. Feinbloom**, New York;
Laszlo Endrodi, Jackson Heights,
both of N.Y.

FOREIGN PATENT DOCUMENTS

1925134 11/1969 Fed. Rep. of Germany 128/23

[73] Assignee: **Designs for Vision, Inc.**, New York,
N.Y.

Primary Examiner—Susan J. Lucas
Attorney, Agent, or Firm—Arthur L. Plevy

[**] Term: **14 Years**

[57] **CLAIM**

[21] Appl. No.: **105,729**

The ornamental design for a surgical headlight or similar article, substantially as shown and described.

[22] Filed: **Dec. 20, 1979**

DESCRIPTION

[51] Int. Cl. **D26—02**

[52] U.S. Cl. **D26/39**

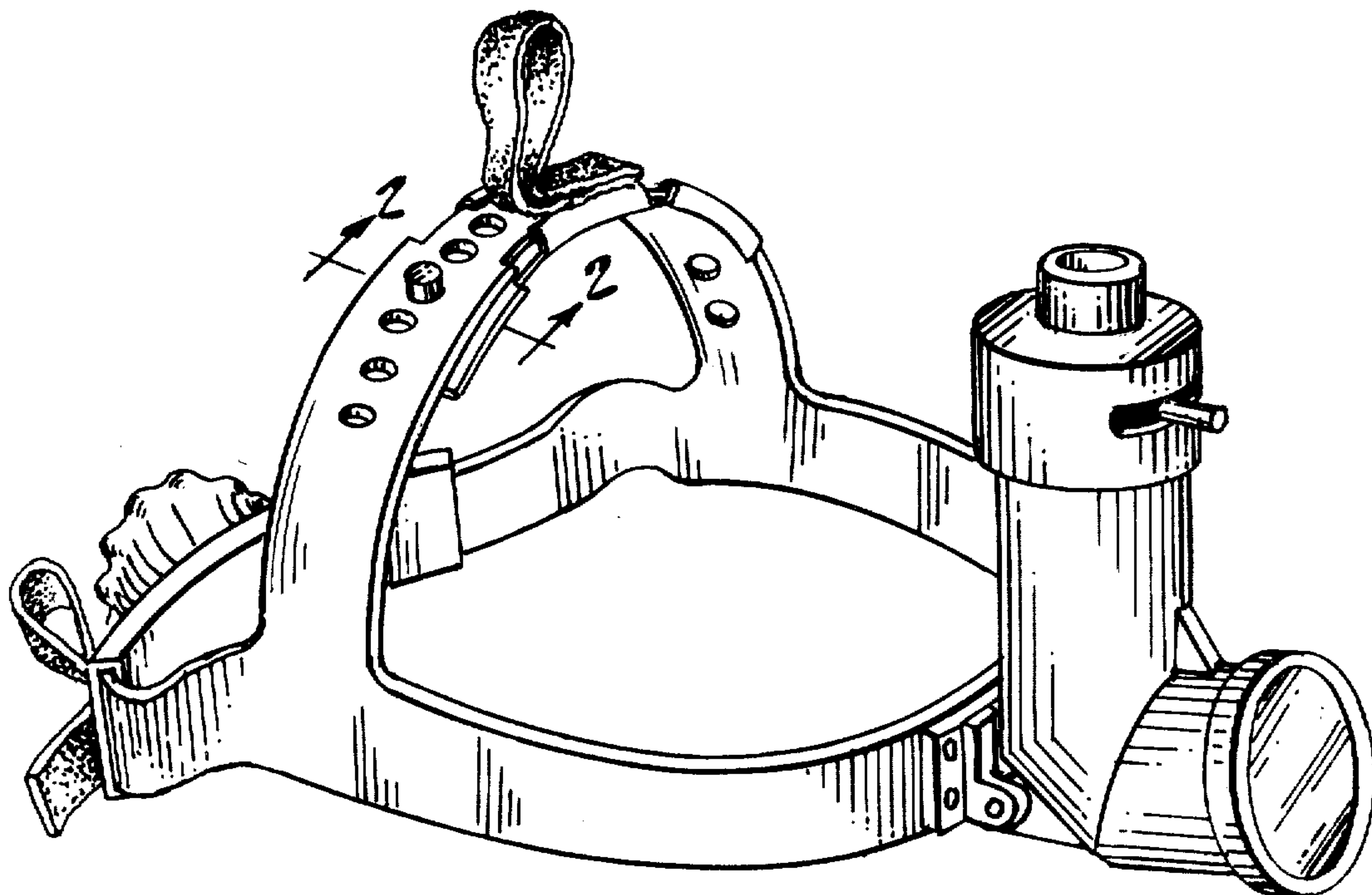
[58] Field of Search D26/24, 37, 39, 49;
362/103, 104, 105, 106, 197, 202, 804; 128/23

FIG. 1 is a right side perspective view of the surgical headlight or similar article showing our new design; FIG. 2 is a cross sectional view taken through line 2—2 of FIG. 1 on an enlarged scale FIG. 3 is a left side perspective view; FIG. 4 is a front plan view; FIG. 5 is a rear plan view; FIG. 6 is a cross sectional view taken through line 6—6 of FIG. 5 on an enlarged scale FIG. 7 is a top plan view; and FIG. 8 is a bottom plan view.

[56] **References Cited**

U.S. PATENT DOCUMENTS

738,887 9/1903 Zeng 362/804 X
2,259,673 10/1941 White 362/197
2,539,104 1/1951 Rodel 362/105 X
3,745,993 7/1973 Feinbloom 362/804 X



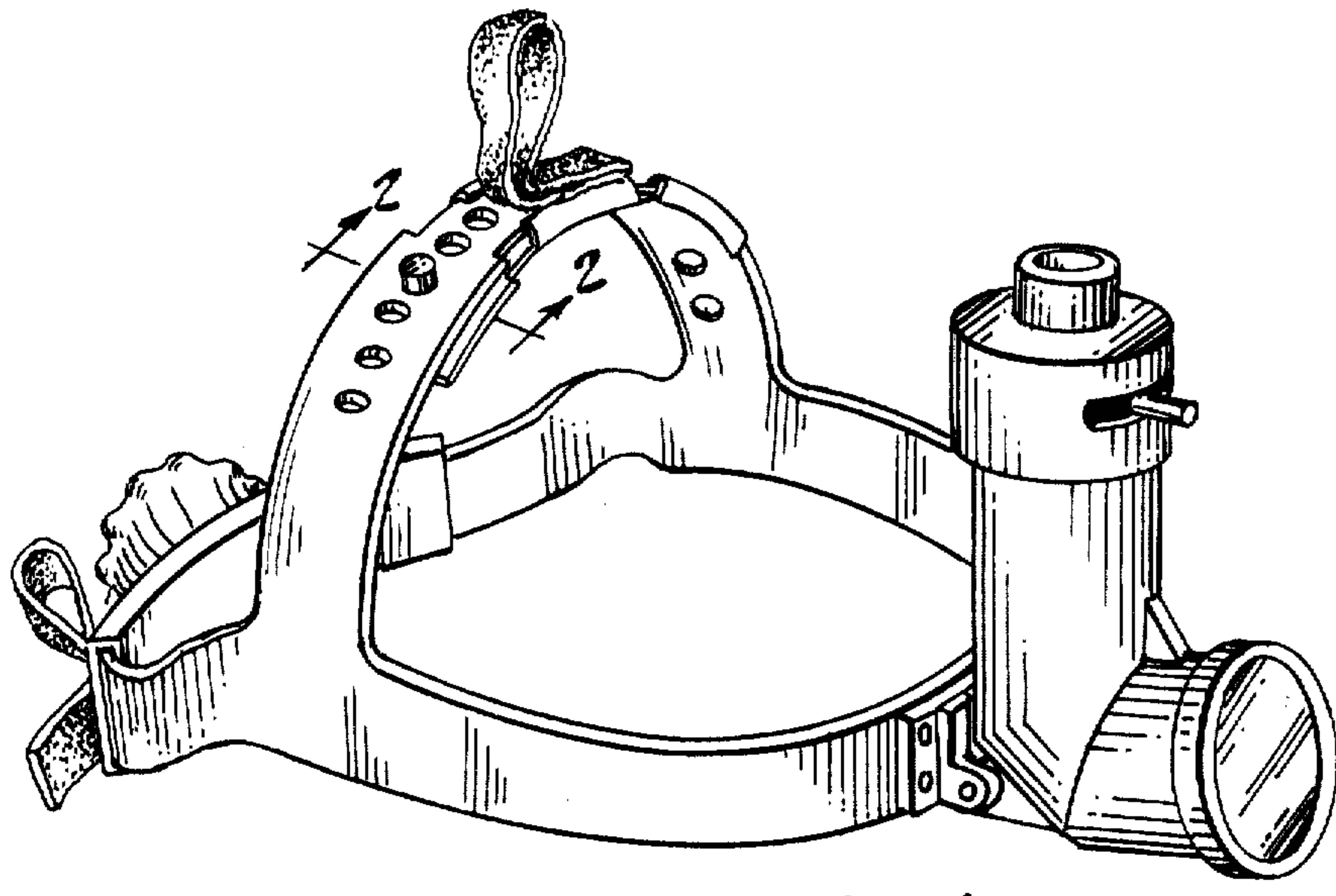


Fig. 1



Fig. 2

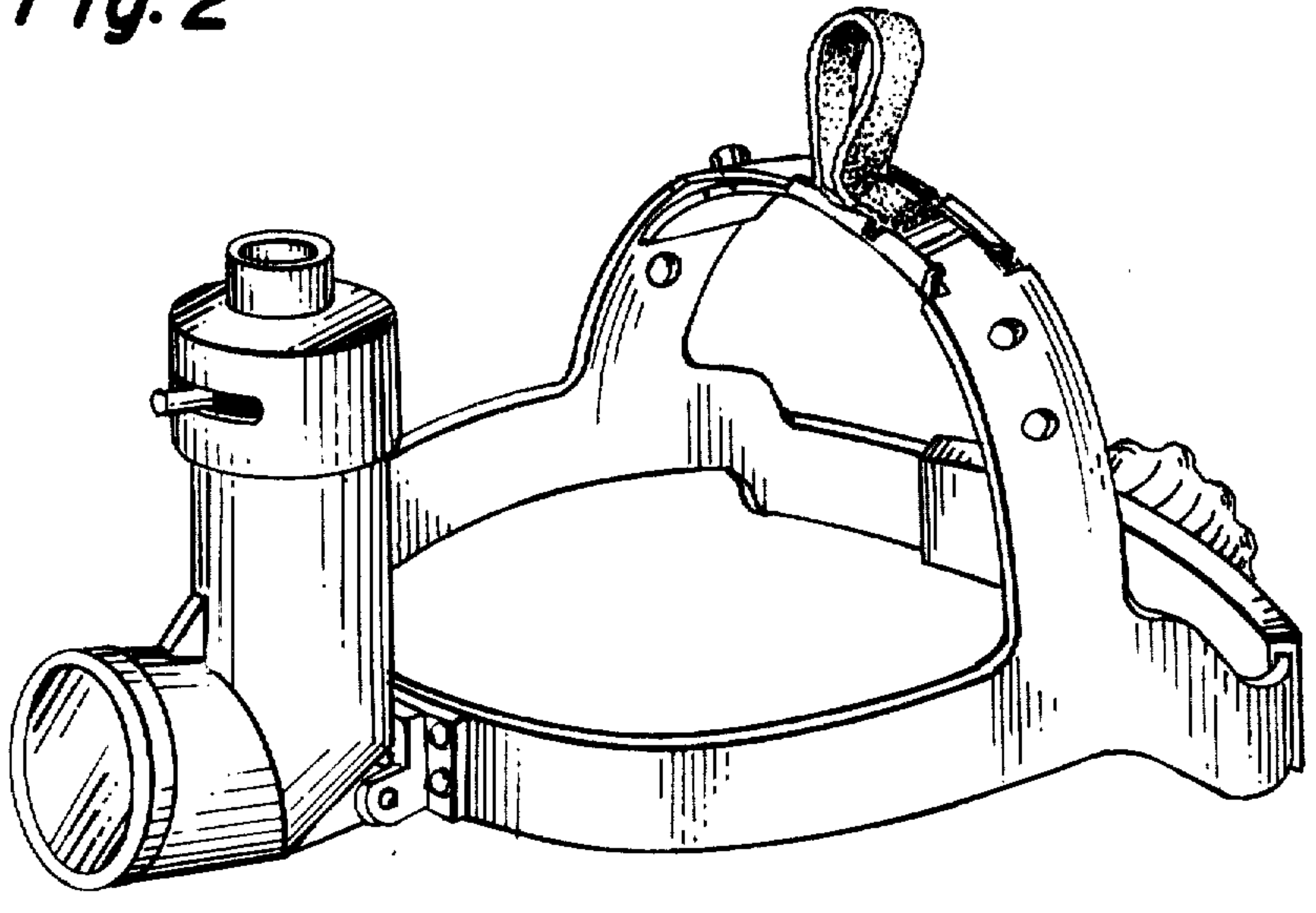


Fig. 3

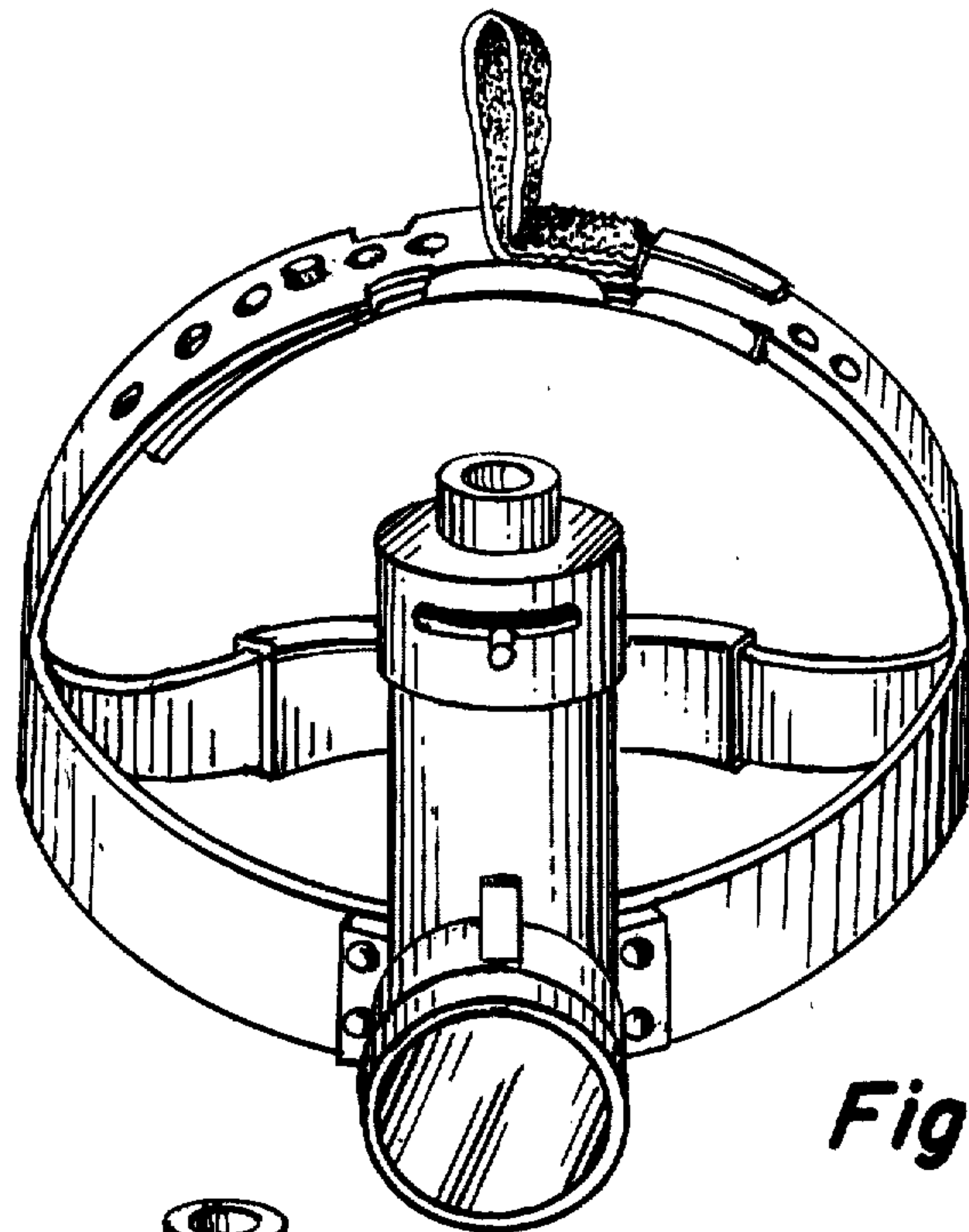


Fig. 4

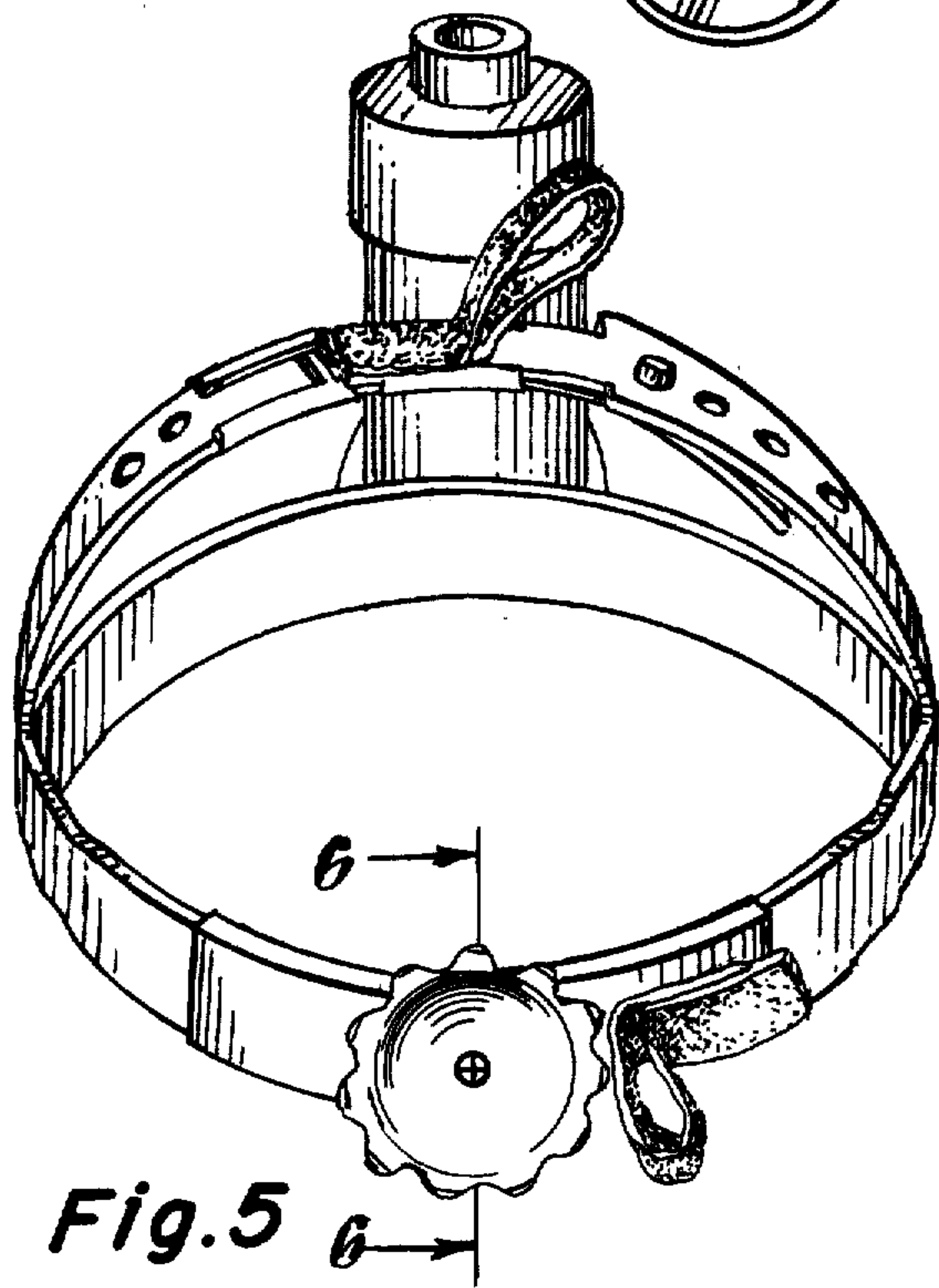


Fig. 5

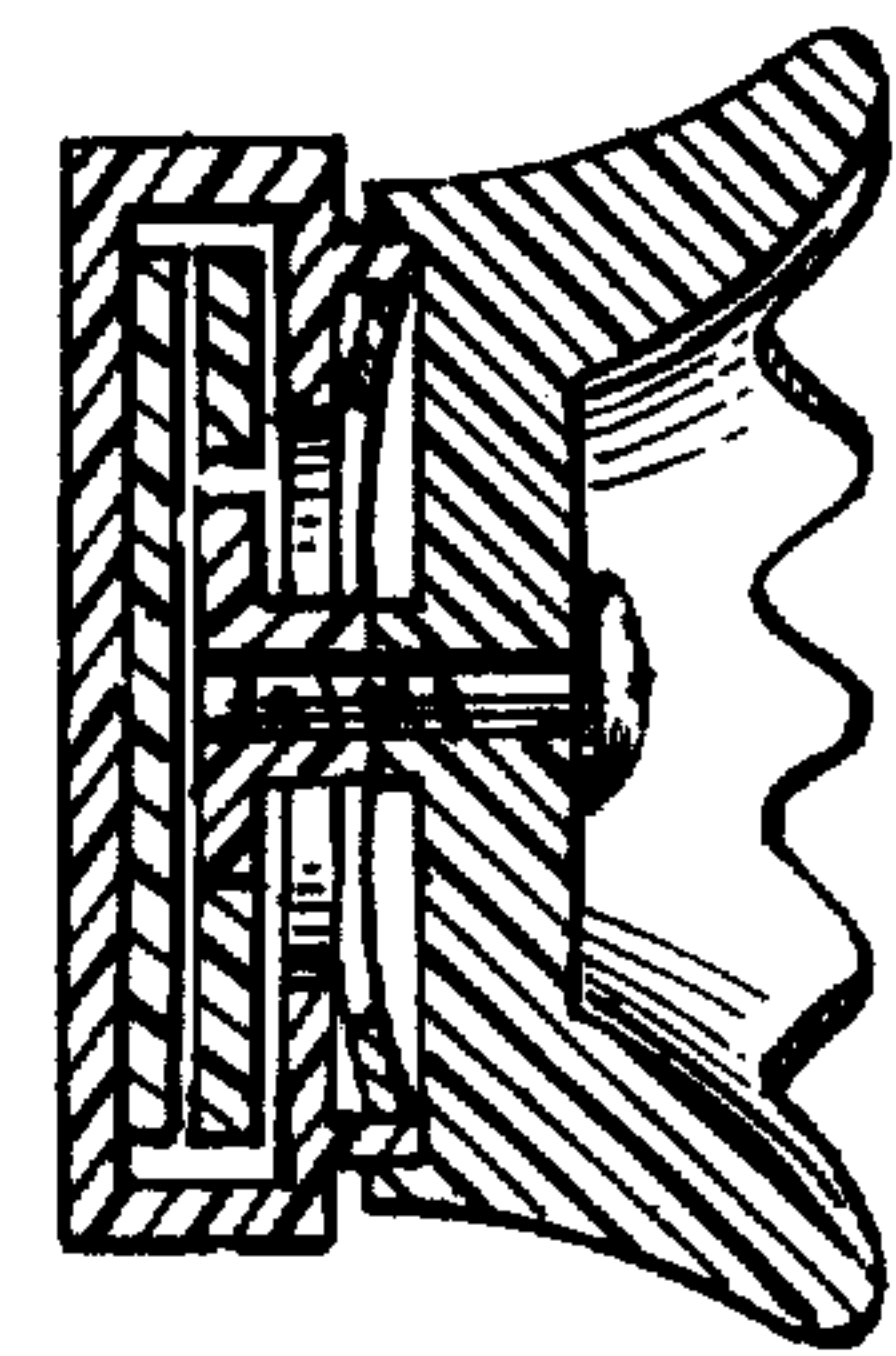


Fig. 6

