

[54] **TOOTH SIZE AND FORM INDICATOR**
 [75] Inventors: **Wayne C. Seeley**, York; **Richard A. Smith**, New Freedom, both of Pa.
 [73] Assignee: **Dentsply Research & Development Corp.**, Milford, Del.
 [**] Term: **14 Years**
 [21] Appl. No.: **97,102**
 [22] Filed: **Nov. 23, 1979**
 [51] Int. Cl. **24-02**
 [52] U.S. Cl. **D24/10**
 [58] Field of Search **D24/10, 16; 433/72, 433/26; 33/174 D**

486657 9/1952 Canada 433/72
 2650864 5/1978 Fed. Rep. of Germany 433/72
 309705 9/1971 U.S.S.R. 433/72

Primary Examiner—T. Tung
Attorney, Agent, or Firm—C. Hercus Just

[57] **CLAIM**

The ornamental design of a tooth size and form indicator, as shown.

DESCRIPTION

FIG. 1 is a view of one side of a tooth size and form indicator showing our design.
 FIG. 2 is a view of the opposite side thereof.
 FIG. 3 is a front view thereof on a larger scale than the preceding figures.
 FIG. 4 is a rear view thereof on the same scale as FIG. 3.
 FIG. 5 is a top plan view thereof on a still larger scale than FIGS. 3 and 4.
 FIG. 6 is a bottom plan view thereof on the same scale as FIG. 5.
 FIG. 7 is a sectional view thereof as seen on line 7—7 of FIG. 3 and on the same scale as FIGS. 5 and 6.
 FIG. 8 is a sectional view thereof as seen on line 8—8 of FIG. 4 and on the same scale as FIGS. 5-7.

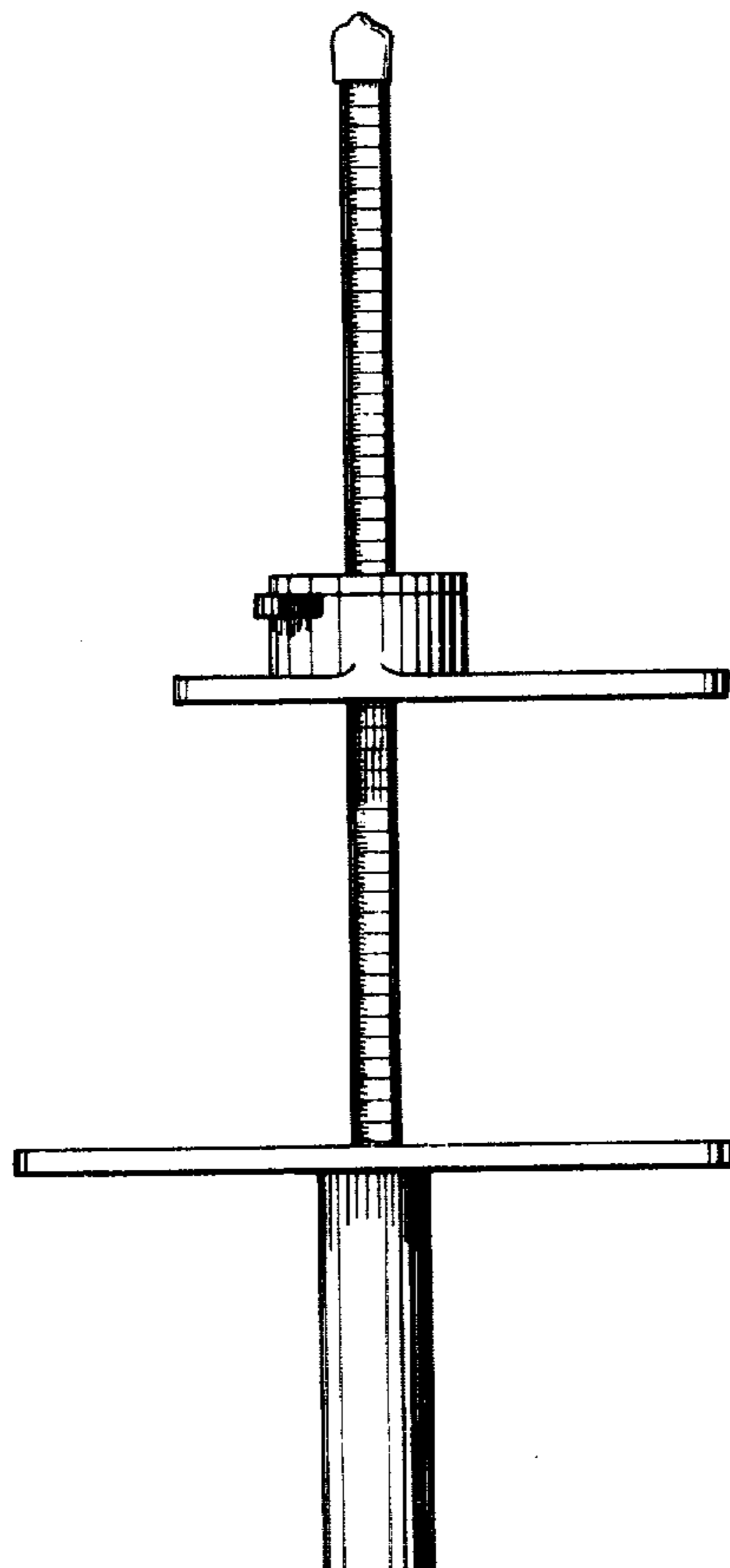
[56] **References Cited**

U.S. PATENT DOCUMENTS

1,662,670 3/1928 Harter 33/174 D
 1,901,724 3/1933 Bennett 33/174 D
 2,535,163 12/1950 Scott 433/72
 2,752,689 7/1956 Adams et al. 433/26
 3,745,665 7/1973 Shilliday 33/174 D

FOREIGN PATENT DOCUMENTS

127610 5/1948 Australia 33/174 D



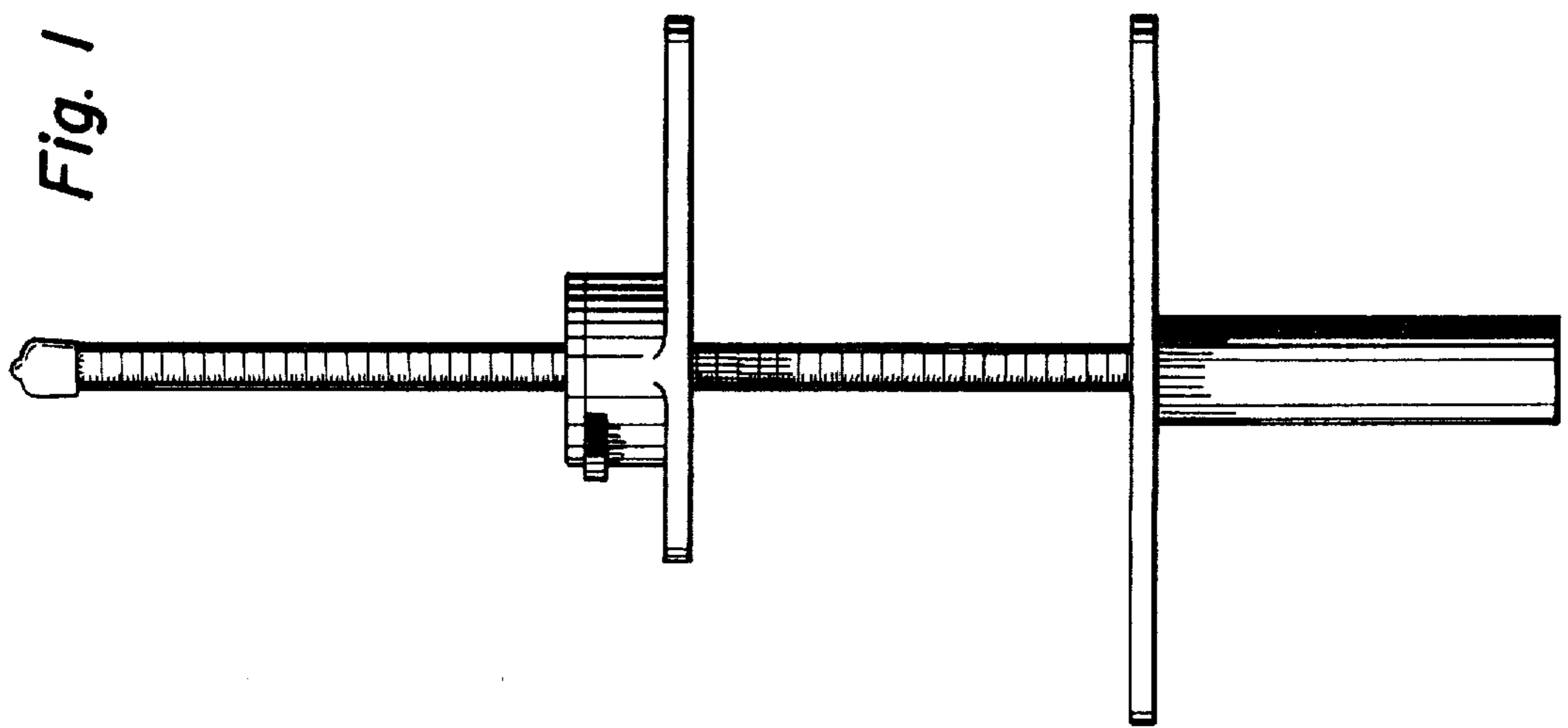
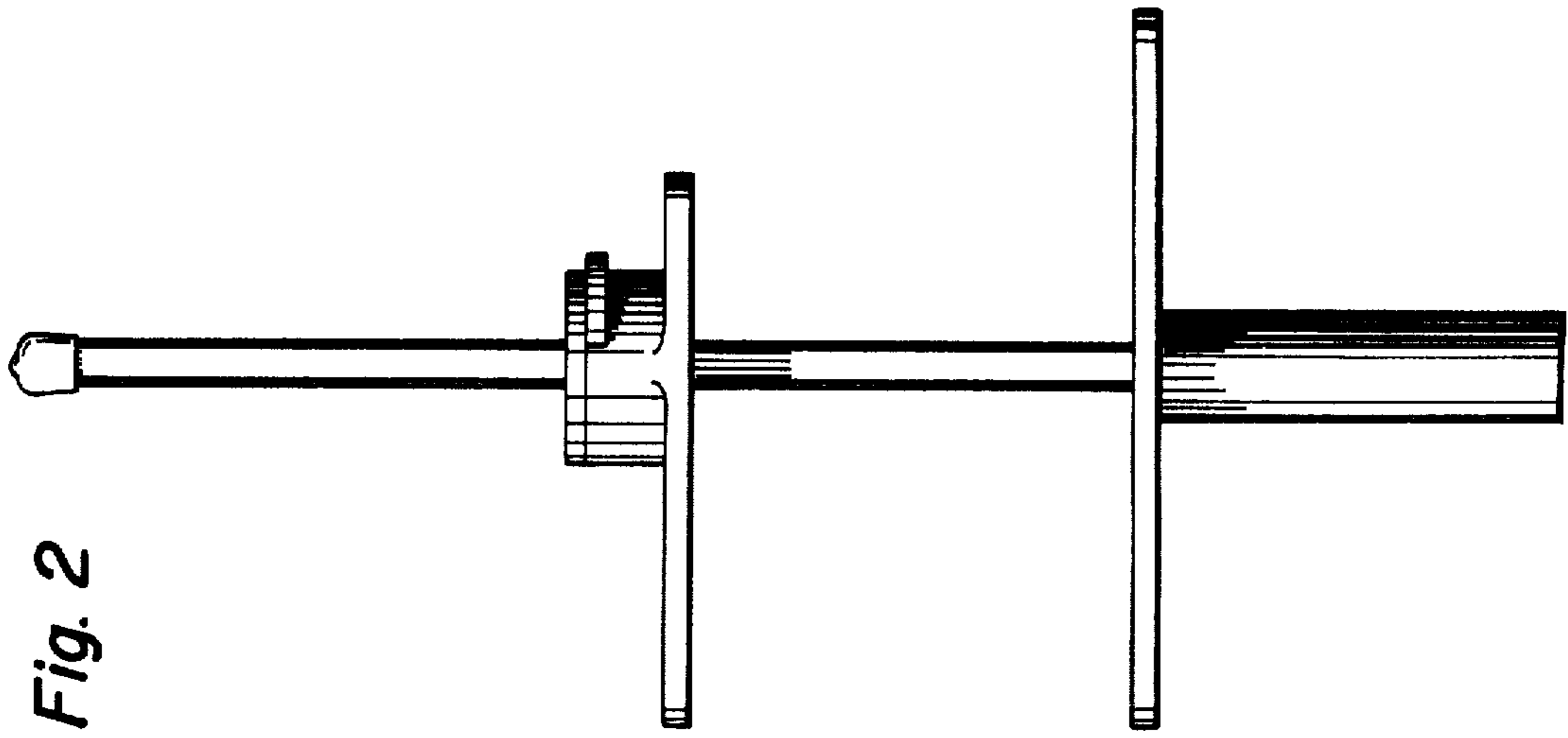


Fig. 3

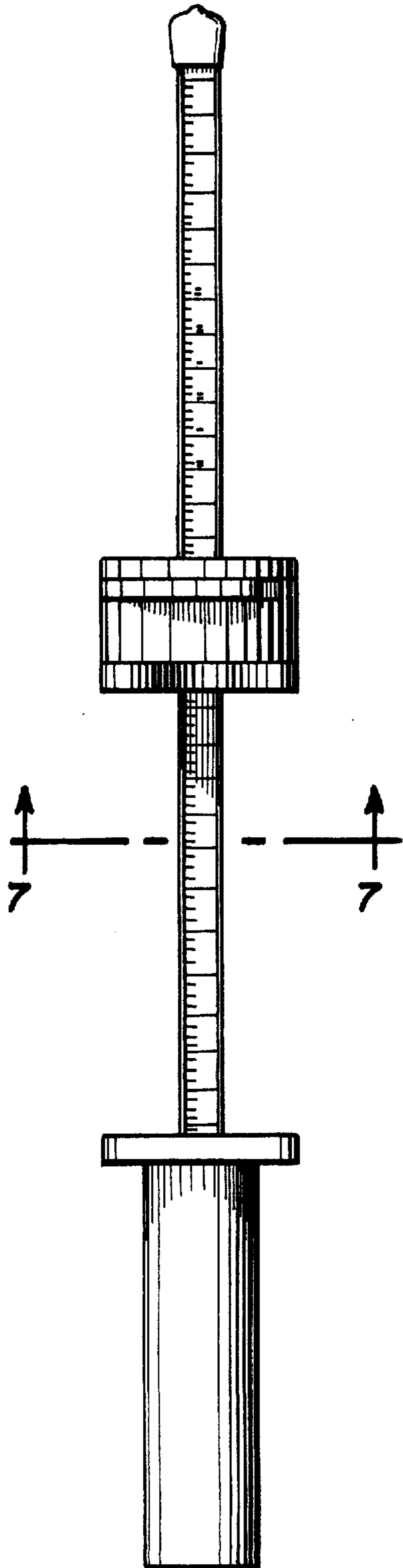


Fig. 4

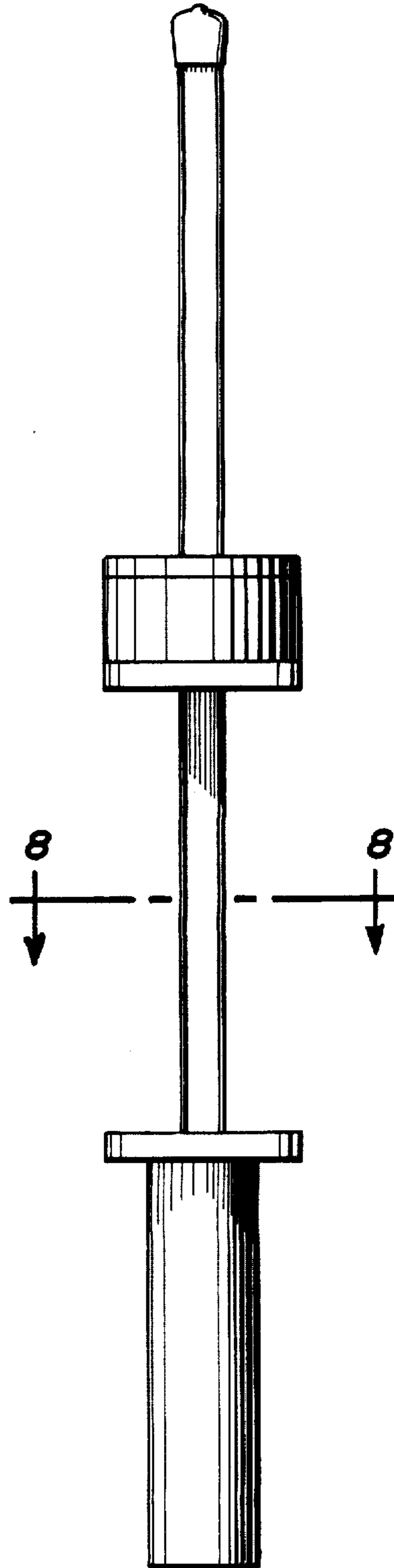


Fig. 8

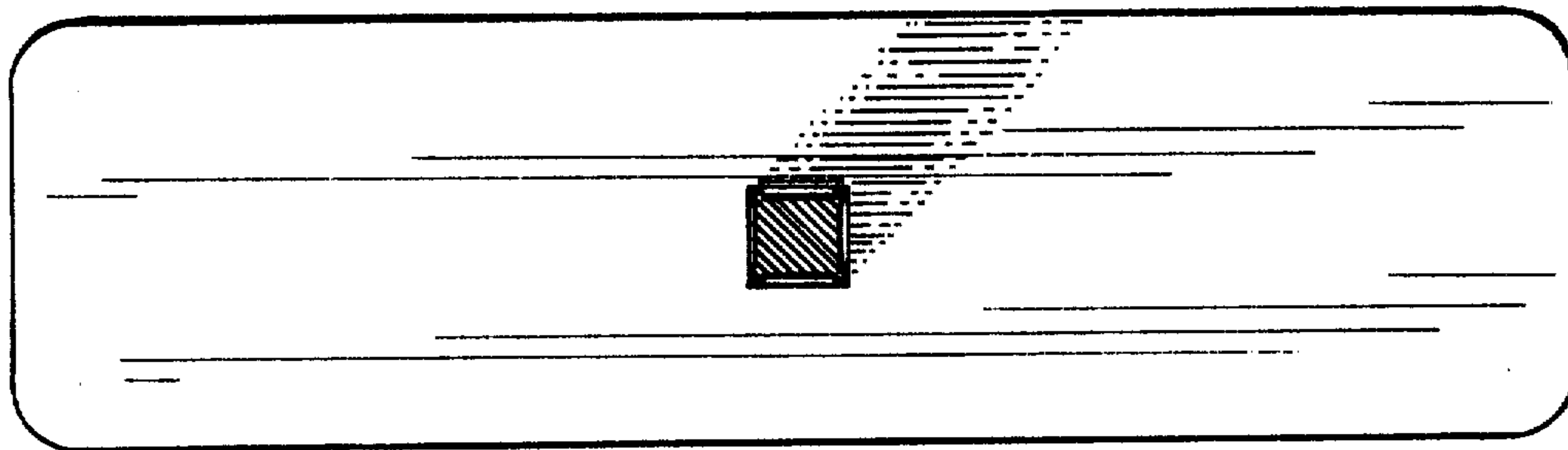


Fig. 7

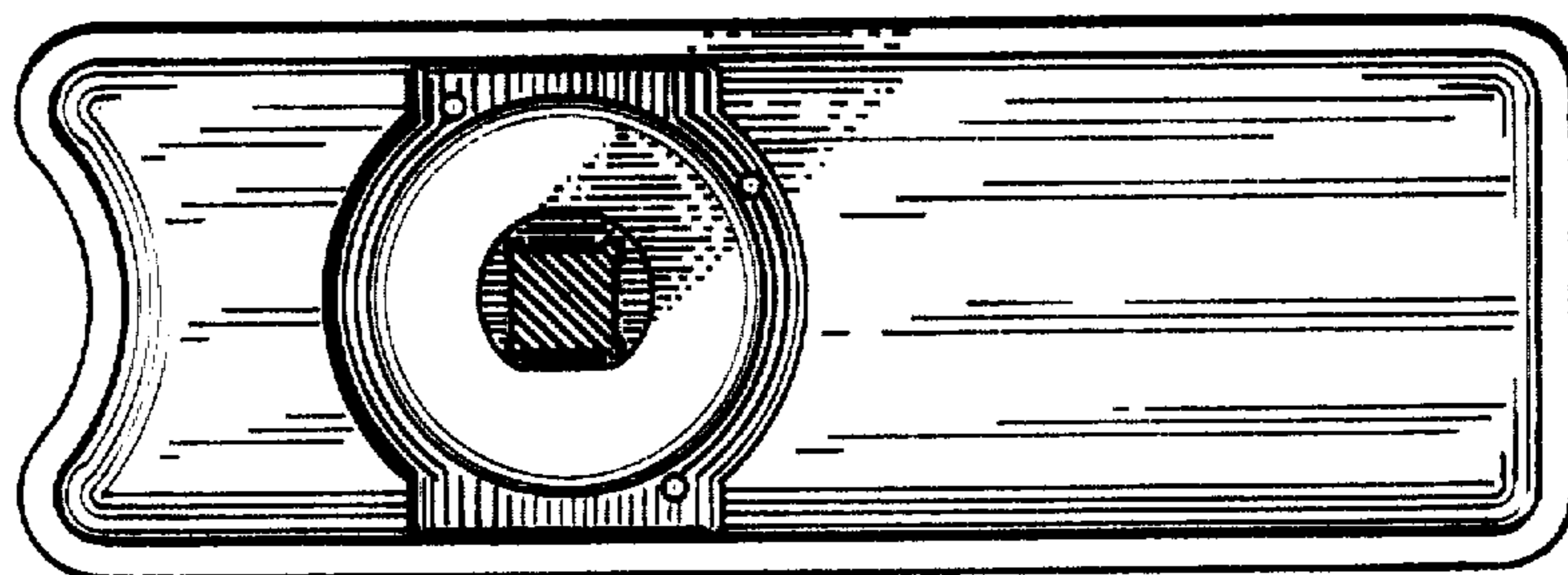


Fig. 6

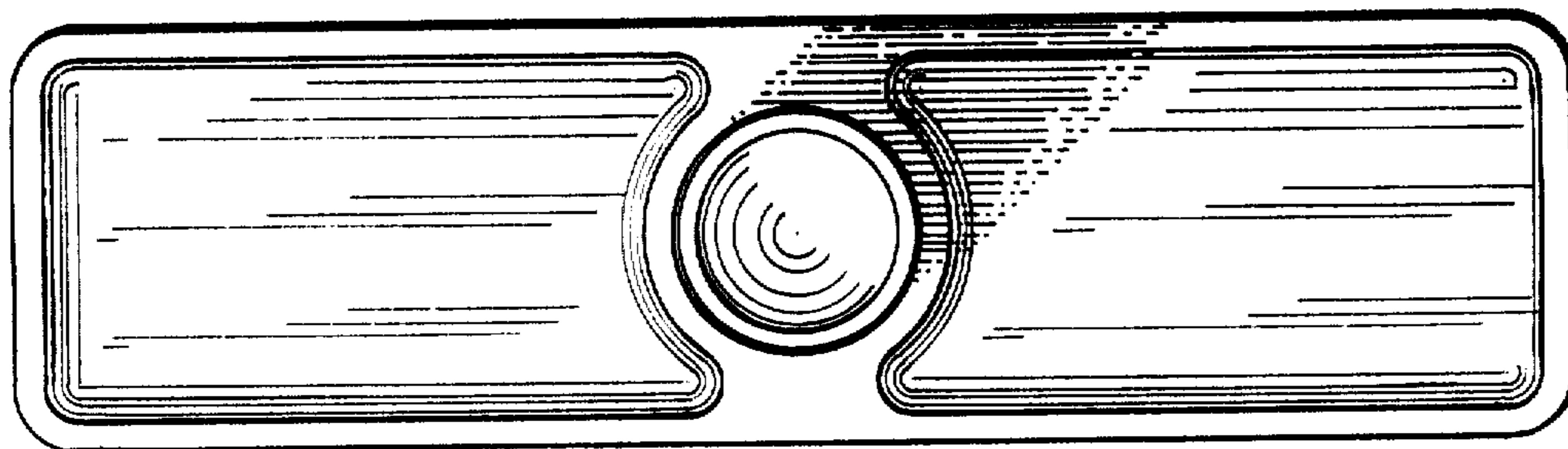


Fig. 5

