

[54] FISHING REEL

[75] Inventors: Kanji Iinuma; Hideo Nakamura, both of Kaganei, Japan

[73] Assignee: Daiwa Seiko, Inc., Tokyo, Japan

[\*\*] Term: 14 Years

[21] Appl. No.: 184,628

[22] Filed: Sep. 5, 1980

[30] Foreign Application Priority Data

Mar. 22, 1980 [JP] Japan ..... 55-11090

[51] Int. Cl. .... D22-05

[52] U.S. Cl. .... D22/25

[58] Field of Search ..... D22/25, 26; 242/84.1 R, 242/84.1 J, 84.2 R-84.2 H, 84.21 R, 84.21 A

[56] References Cited

U.S. PATENT DOCUMENTS

D. 235,258	6/1975	Sugimoto .....	D22/25
D. 236,467	8/1975	Childre .....	D22/25
D. 247,247	2/1978	Okala .....	D22/25
2,922,595	1/1960	Holahan .....	D22/25 X

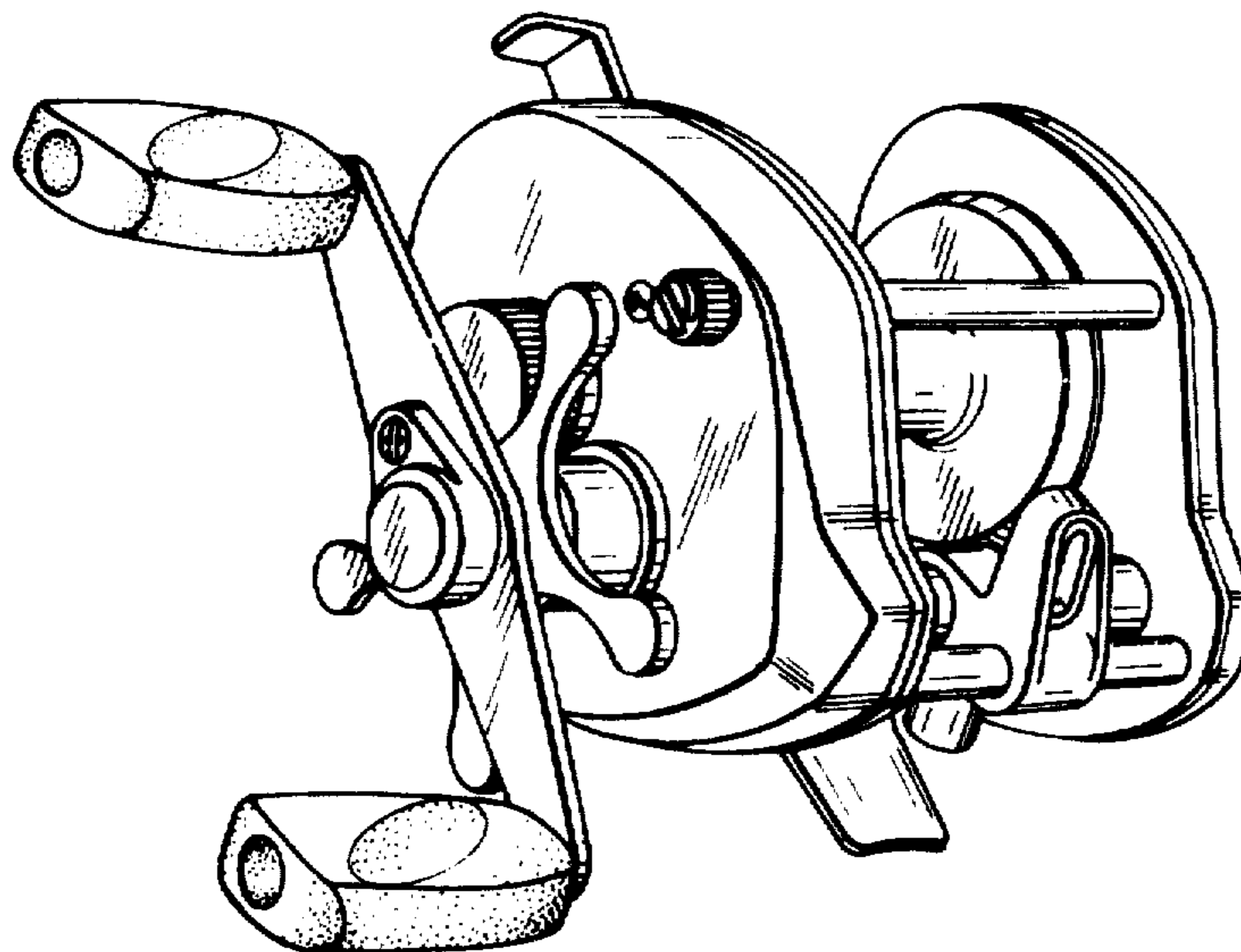
Primary Examiner—A. Hugo Word  
Attorney, Agent, or Firm—Sughrue, Mion, Zinn, Macpeak & Seas

[57] CLAIM

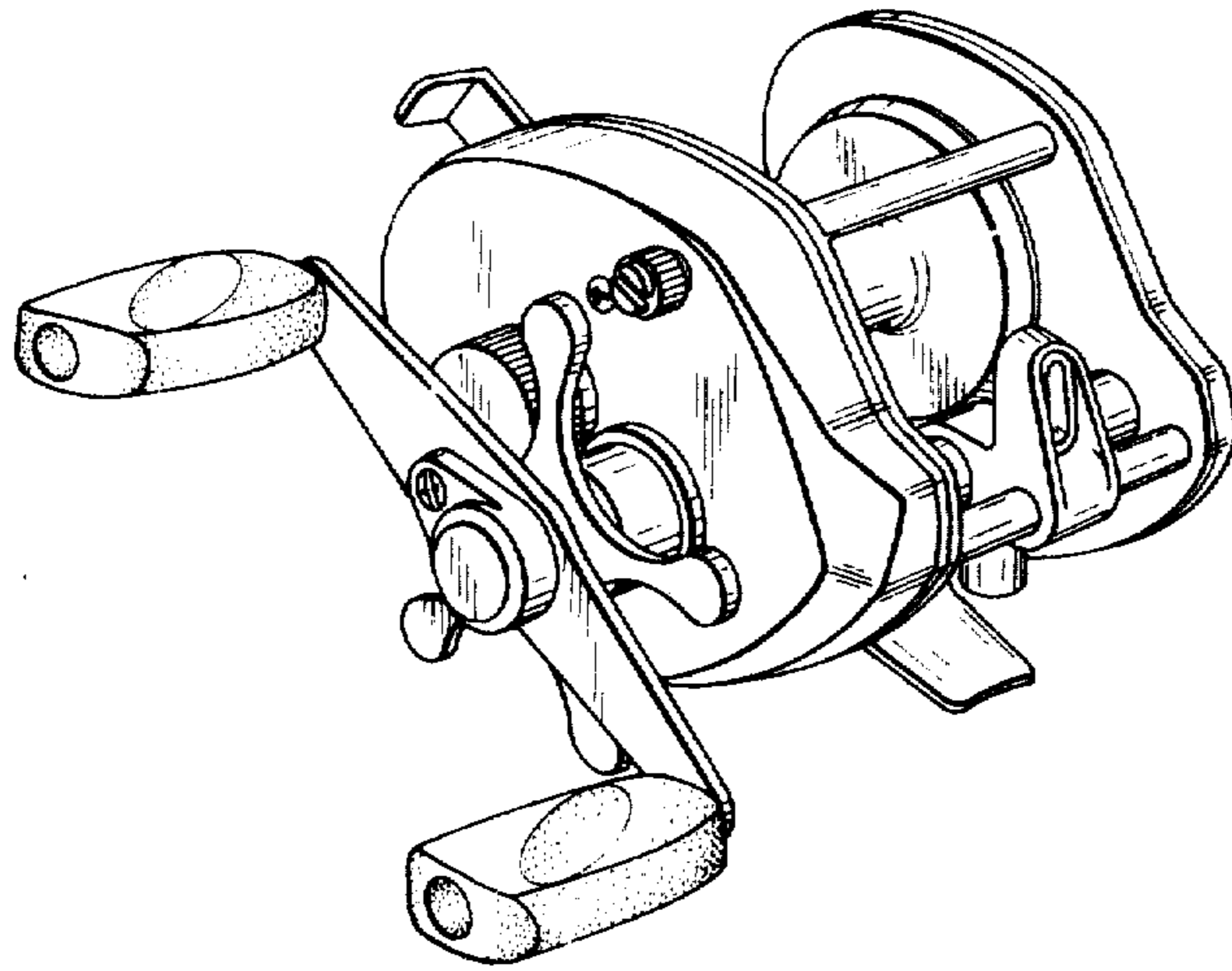
The ornamental design for a fishing reel, as shown.

DESCRIPTION

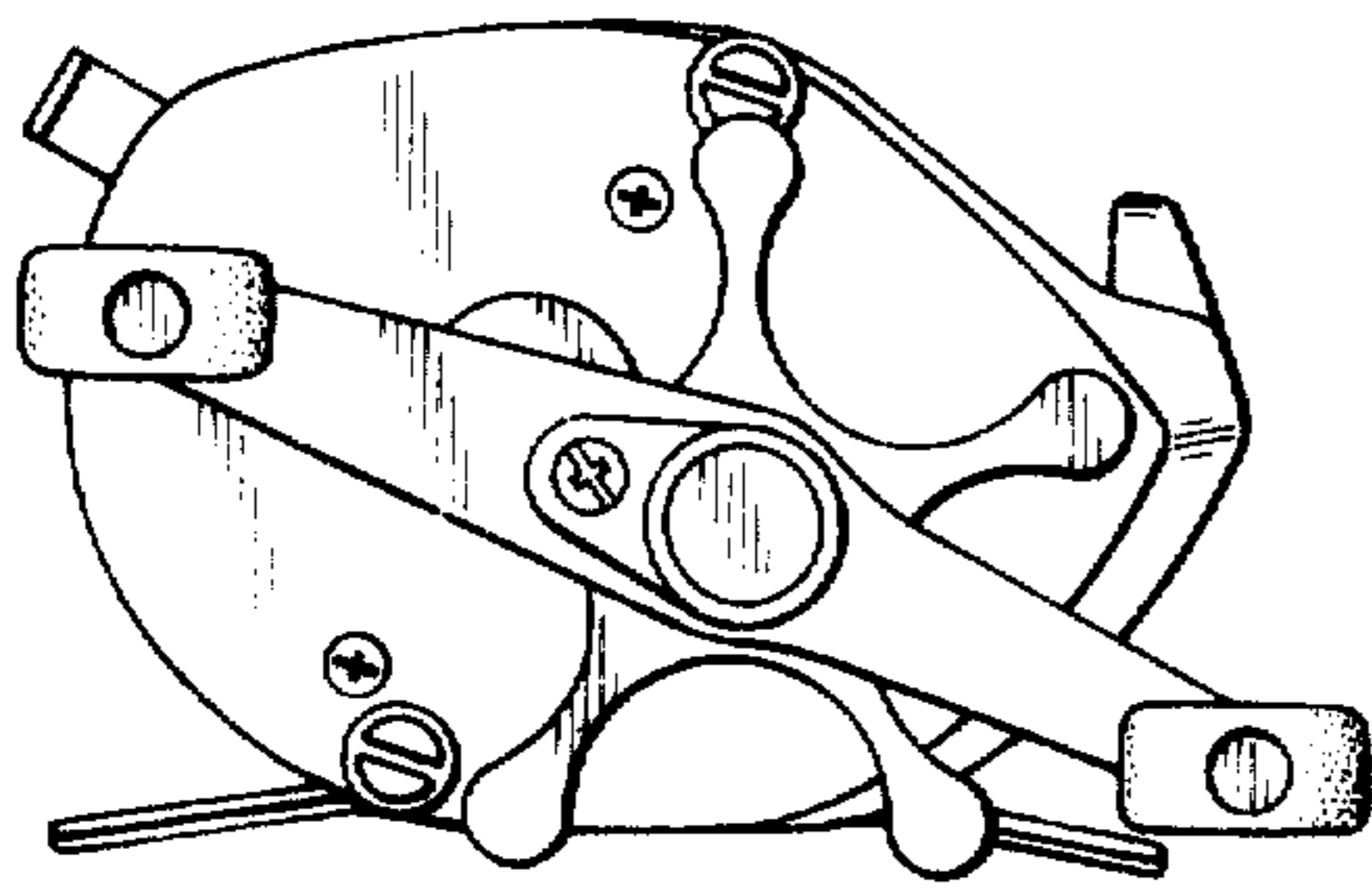
FIG. 1 is a front, top and left side perspective view of a fishing reel showing our new design;  
FIG. 2 is a left side elevational view thereof;  
FIG. 3 is a front elevational view thereof;  
FIG. 4 is a rear elevational view thereof;  
FIG. 5 is a right side elevational view thereof;  
FIG. 6 is a top plan view thereof; and  
FIG. 7 is a bottom plan view thereof.



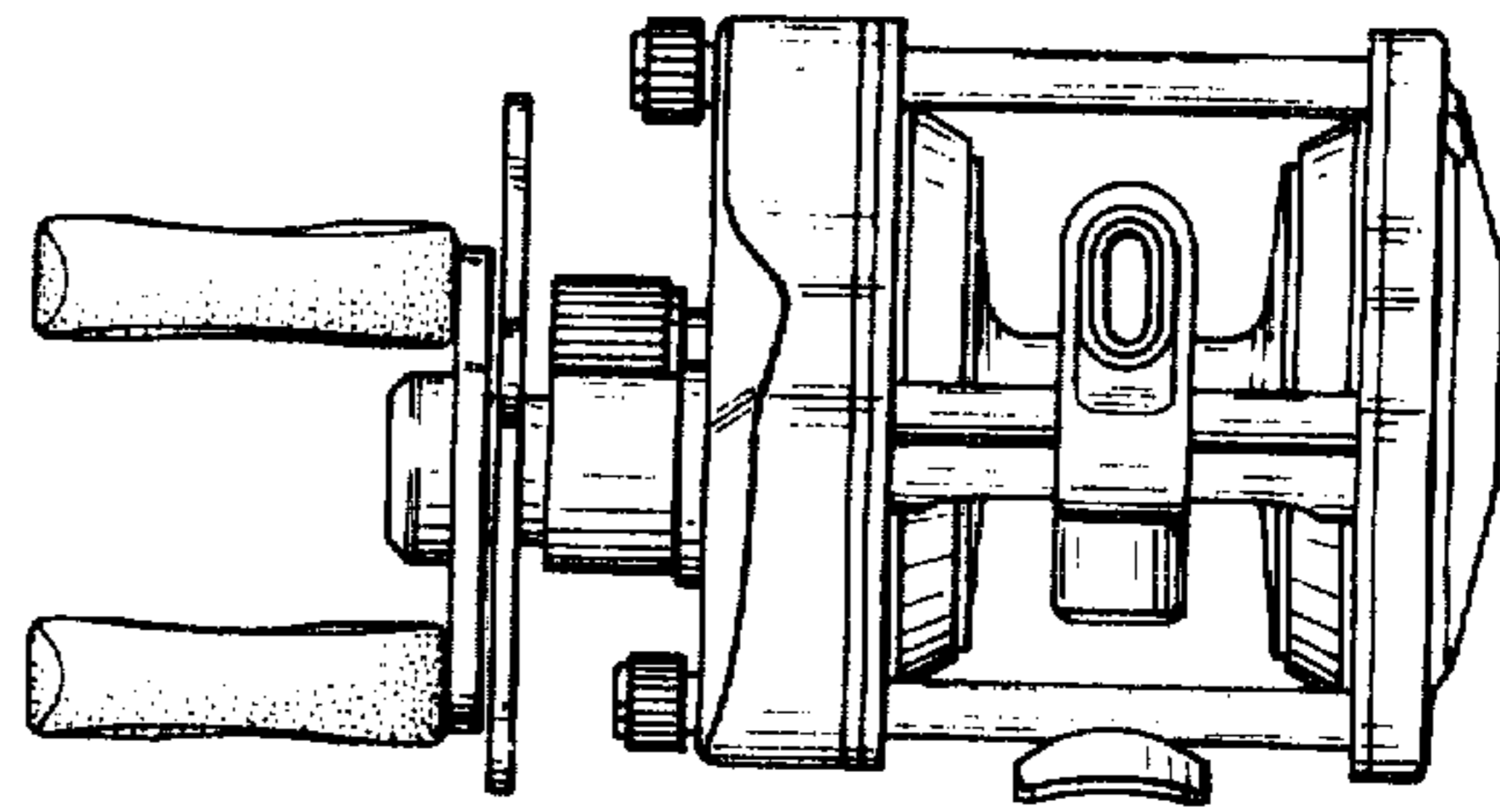
*FIG. 1*



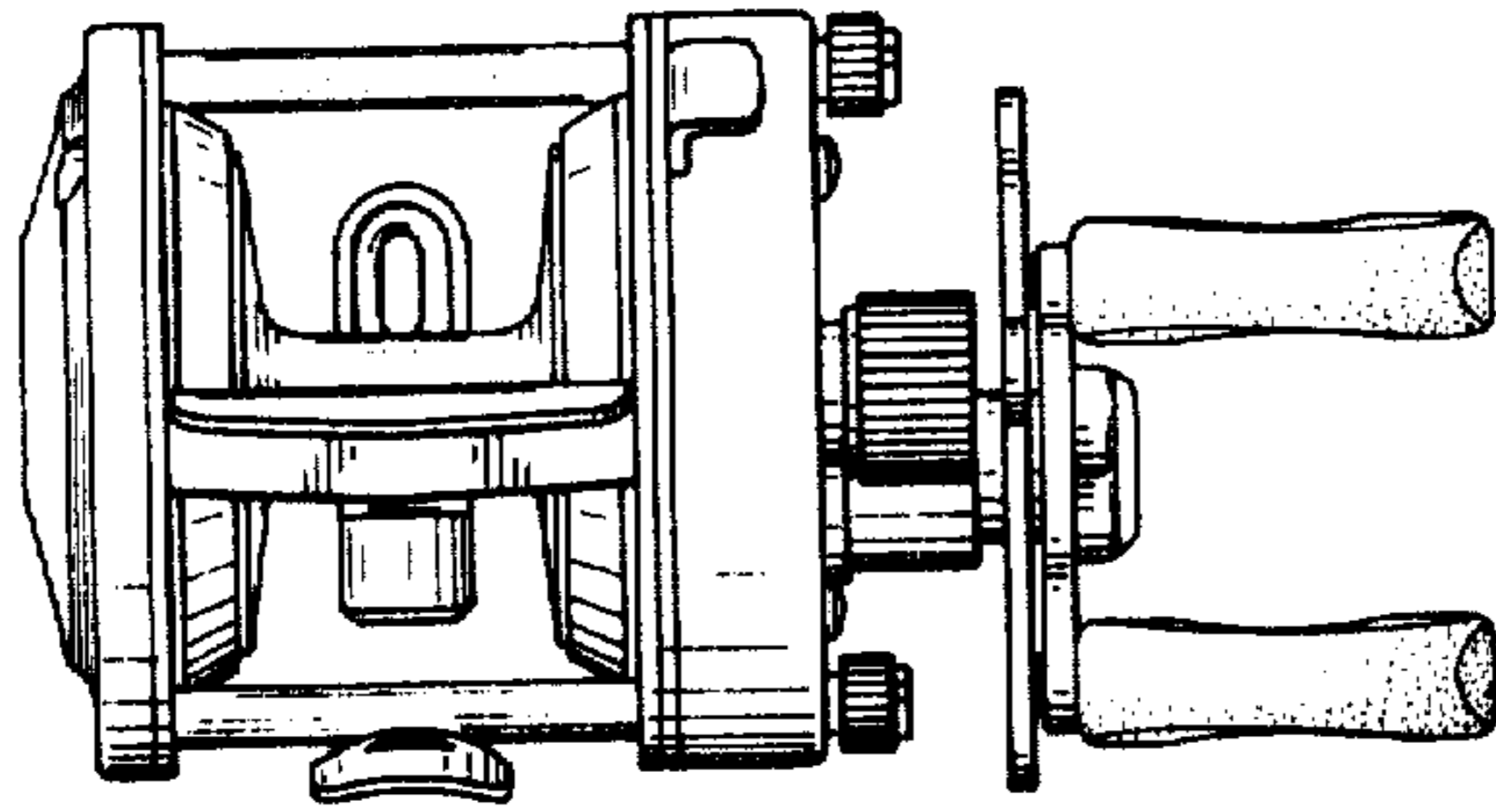
*FIG. 2*



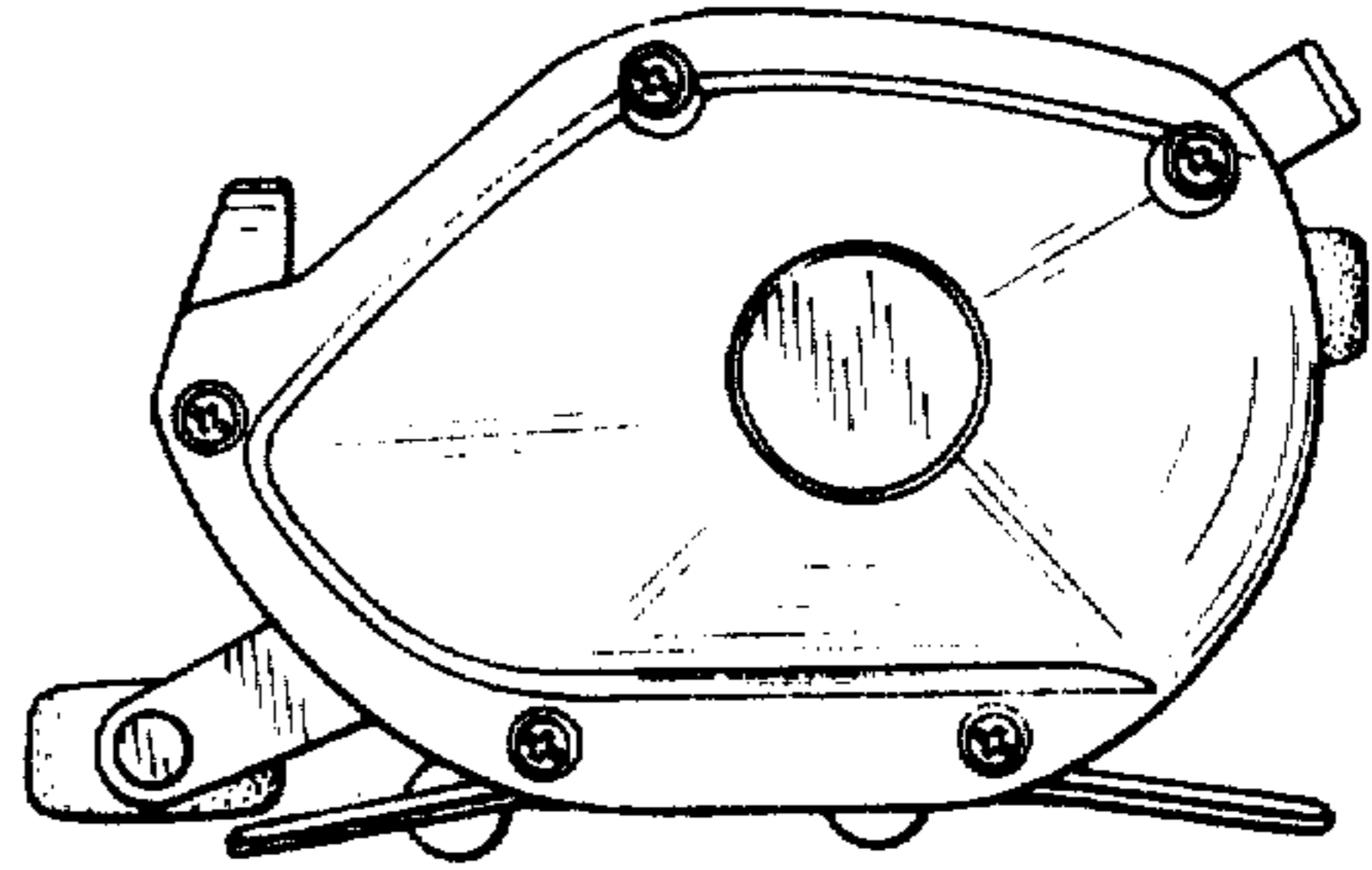
*FIG. 3*



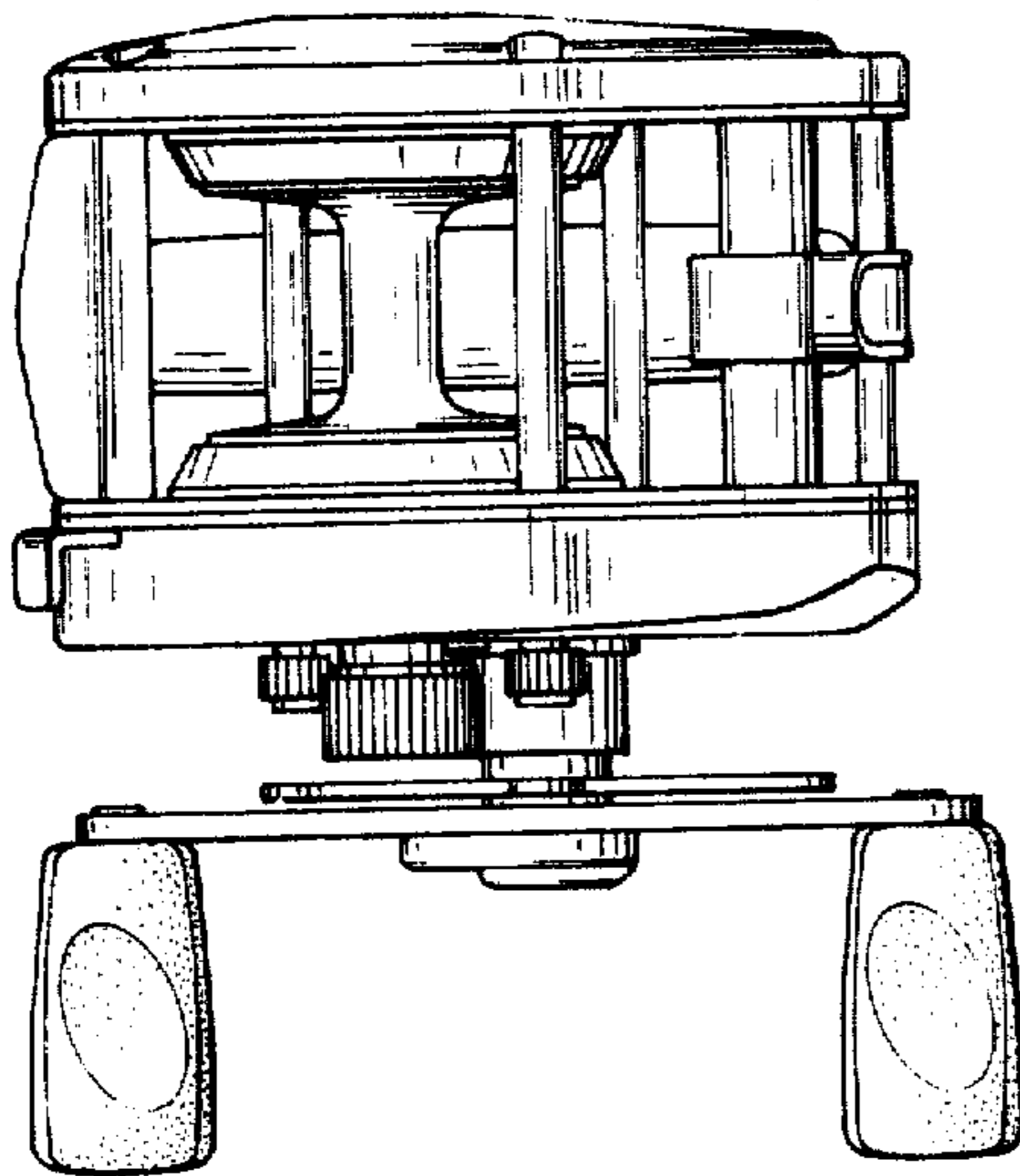
*FIG. 4*



*FIG. 5*



*FIG. 6*



*FIG. 7*

