

[54] FISH BAIT KEEPING CONTAINER

[76] Inventor: James R. Snow, 2038 Majestic Way, San Jose, Calif. 95132

[**] Term: 7 Years

[21] Appl. No.: 159,674

[22] Filed: Jun. 16, 1980

[51] Int. Cl. D22-05

[52] U.S. Cl. D22/22; D7/77

[58] Field of Search D22/22, 13, 99; 43/55, 43/56; 224/920; 206/579; D7/76, 77, 18; 222/3.1, 412, 413

[56] References Cited

U.S. PATENT DOCUMENTS

- D. 232,798 9/1974 Roche D7/77
- 3,057,508 10/1962 Kimbrough, Jr. D7/77 X
- 3,068,607 12/1962 Ward 43/56

3,835,575 9/1974 Kelley et al. 43/56

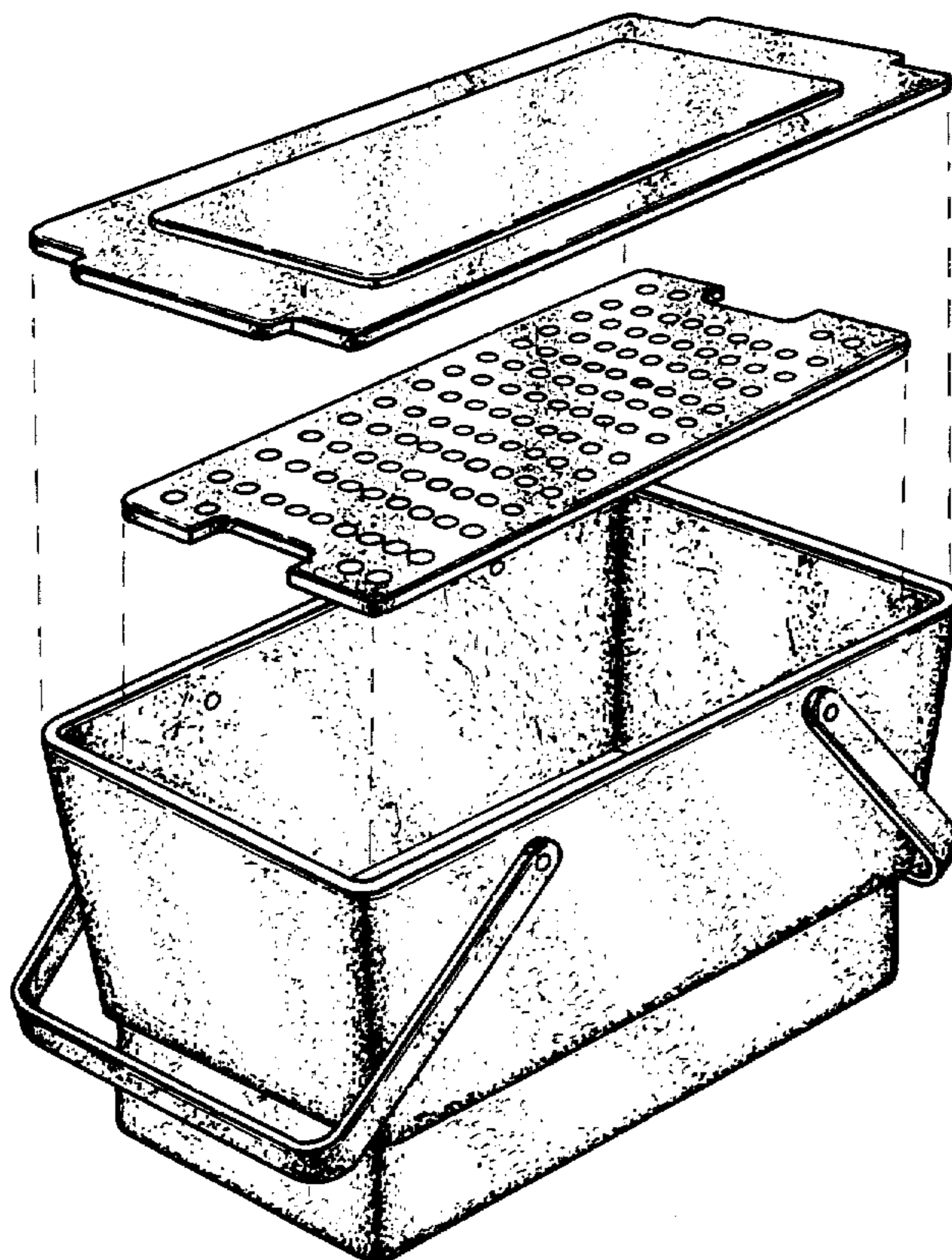
Primary Examiner—A. Hugo Word
Attorney, Agent, or Firm—Claude A. S. Hamrick

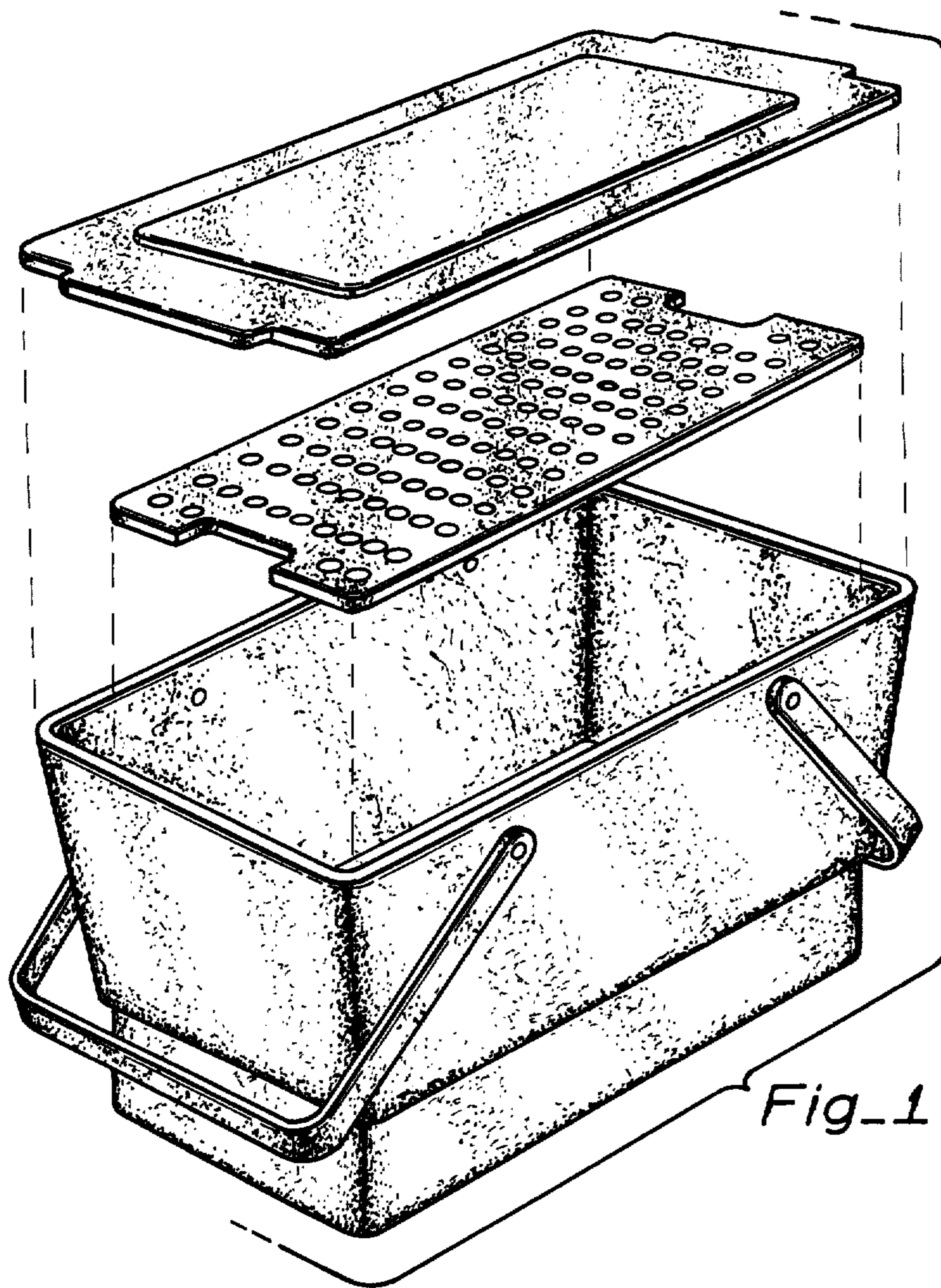
[57] CLAIM

The ornamental design for a fish bait keeping container, substantially as shown and described.

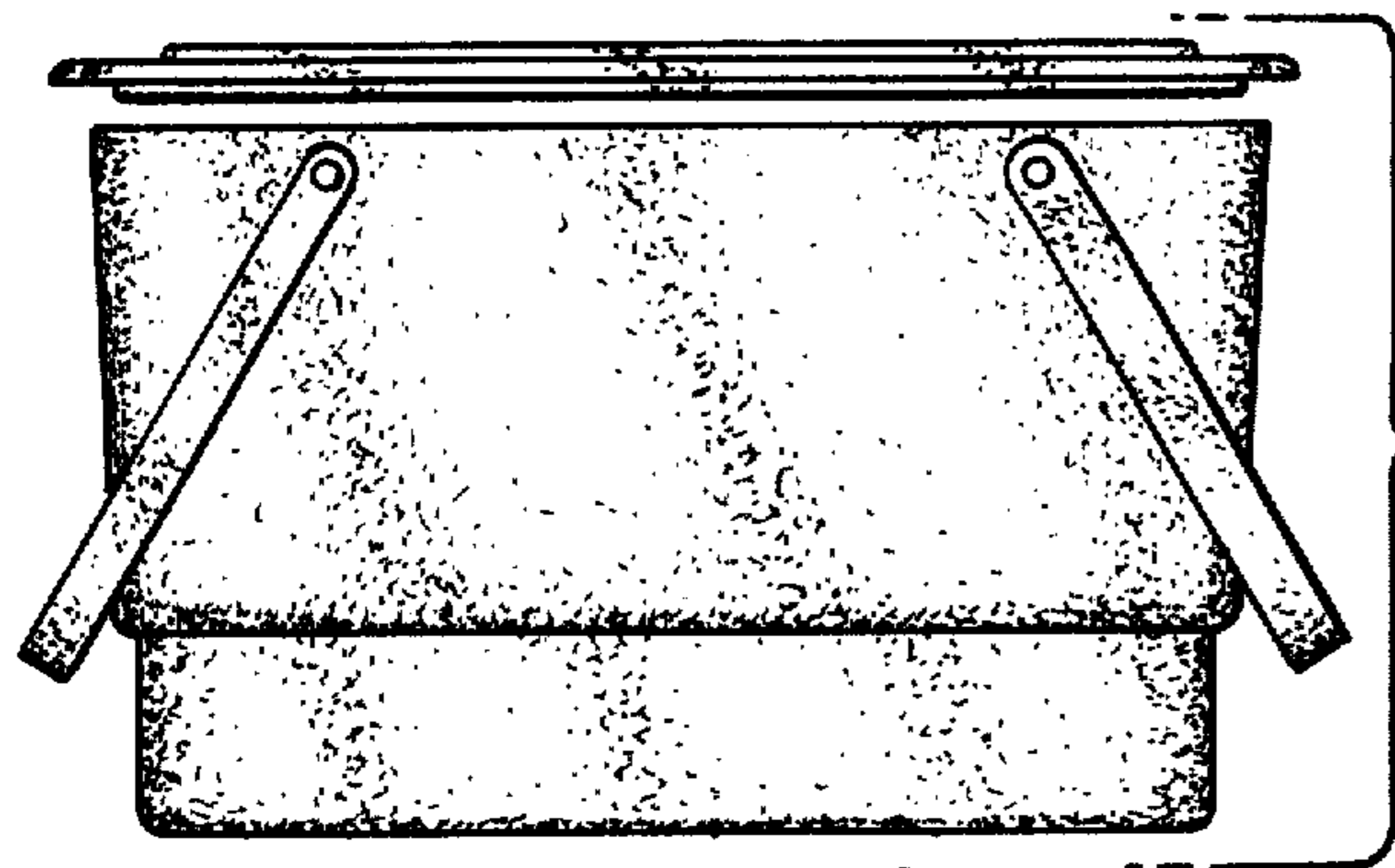
DESCRIPTION

FIG. 1 is an exploded perspective view illustrating a fish bait keeping container in accordance with my new design showing the interior support tray and cover disposed above their normal mating positions; FIG. 2 is a side elevational view thereof with the top shown raised above its mating position, the opposite side being a mirror image thereof; FIG. 3 is an end elevational view, the opposite end being a mirror image thereof; and FIG. 4 is a top plan view thereof with the cover removed and the interior support tray in place.

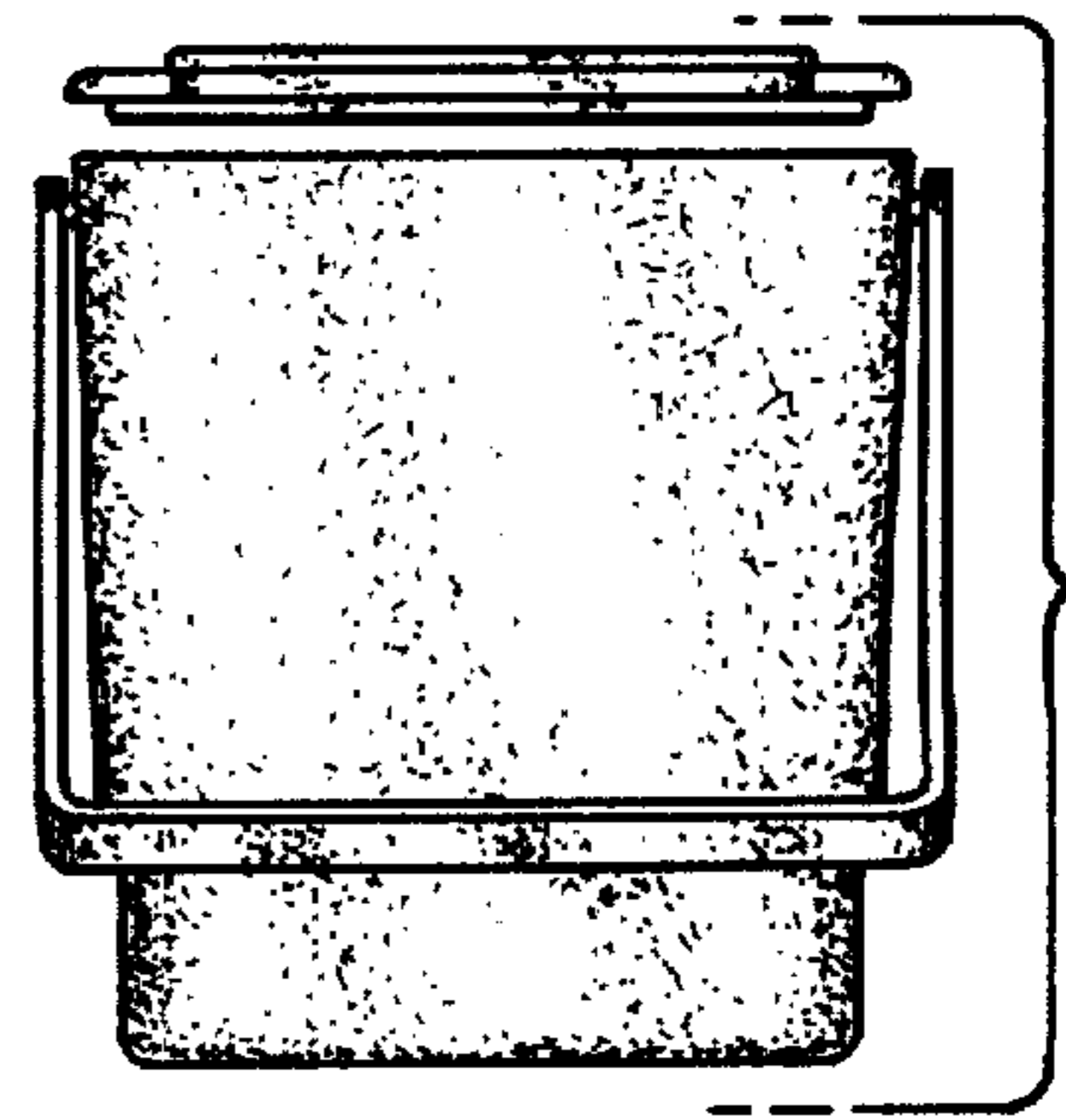




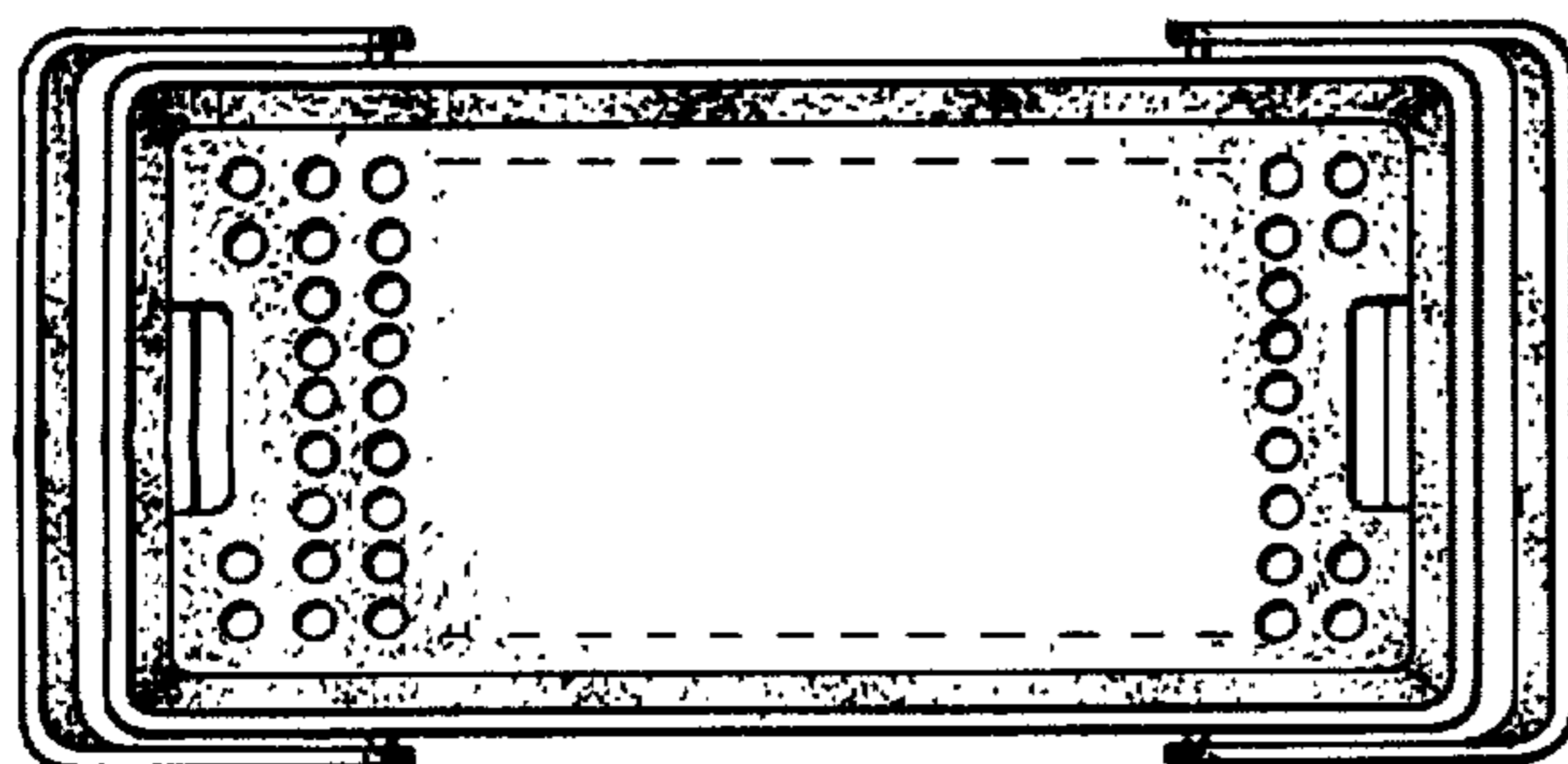
Fig_1



Fig_2



Fig_3



Fig_4