

[54] GUN SLING

[75] Inventors: **Jane H. Dickinson; Leebert D. Clark,**
both of Yoakum, Tex.

[73] Assignee: **Torel, Inc.,** Yoakum, Tex.

[**] Term: **14 Years**

[21] Appl. No.: **209,864**

[22] Filed: **Nov. 24, 1980**

[51] Int. Cl. **D22-01**

[52] U.S. Cl. **D22/7**

[58] Field of Search 224/205, 214, 250, 264,
224/913, 150; D22/7, 13

3,882,914 5/1975 Strutz 224/264 X
 3,885,722 5/1975 Robertson 224/264 X
 4,311,263 1/1982 Bianchi 224/150

OTHER PUBLICATIONS

Torel, 1979-1980 Catalog, pp. 21-28, Gun Slings.
Primary Examiner—A. Hugo Word
Attorney, Agent, or Firm—Arnold, White & Durkee

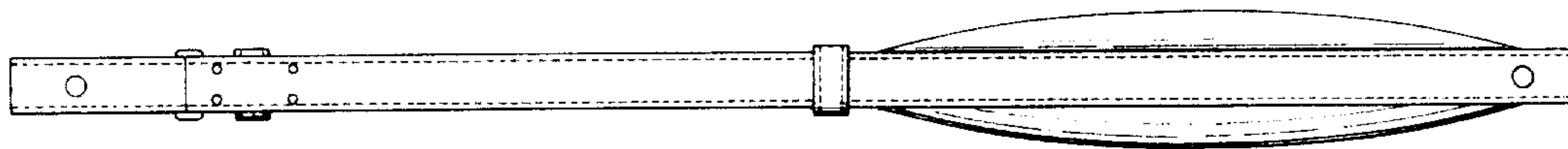
CLAIM

[57] The ornamental design of a gun sling, as shown and described.

DESCRIPTION

FIG. 1 is a top plan view of a gun sling showing our new design;
 FIG. 2 is a side elevation view of the gun sling shown in FIG. 1;
 FIG. 3 is a bottom plan view of the gun sling shown in FIG. 1.

[56] **References Cited**
U.S. PATENT DOCUMENTS
 3,435,867 4/1969 Hyden 224/264 X



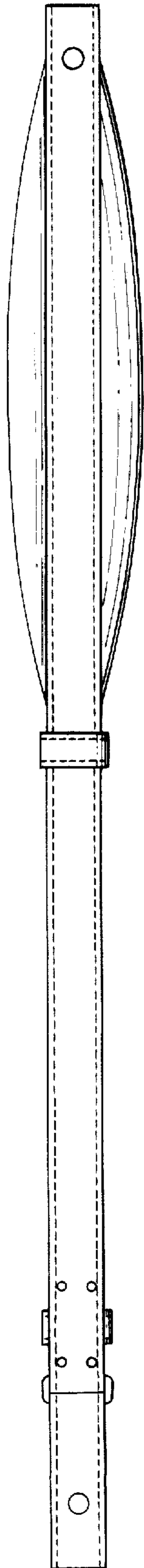


FIG. 1

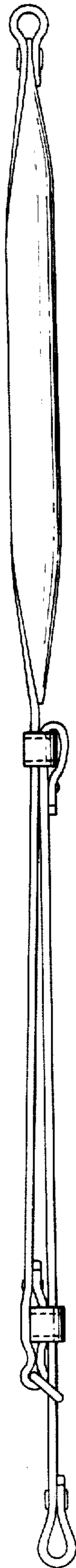


FIG. 2

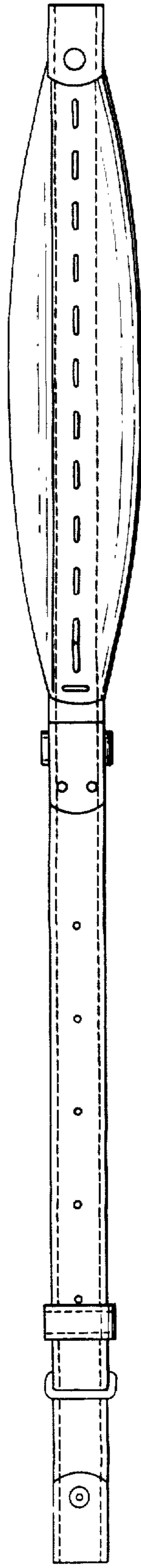


FIG. 3