

[54] **ARROW REST FOR ARCHERY BOW**
[76] Inventor: **Paul L. Peck**, Box 427, Bryantville,
Mass. 02327
[**] Term: **14 Years**
[21] Appl. No.: **166,110**
[22] Filed: **Jul. 7, 1980**
[51] Int. Cl. **D22-01**
[52] U.S. Cl. **D22/5**
[58] Field of Search 124/24 R, 41 A, 41 R;
D22/5

4,026,032 5/1977 Smith 124/87 X R
4,287,868 9/1981 Schiff 124/24 R X
4,299,195 11/1981 Norris 124/24 R

Primary Examiner—A. Hugo Word
Attorney, Agent, or Firm—Richard P. Crowley

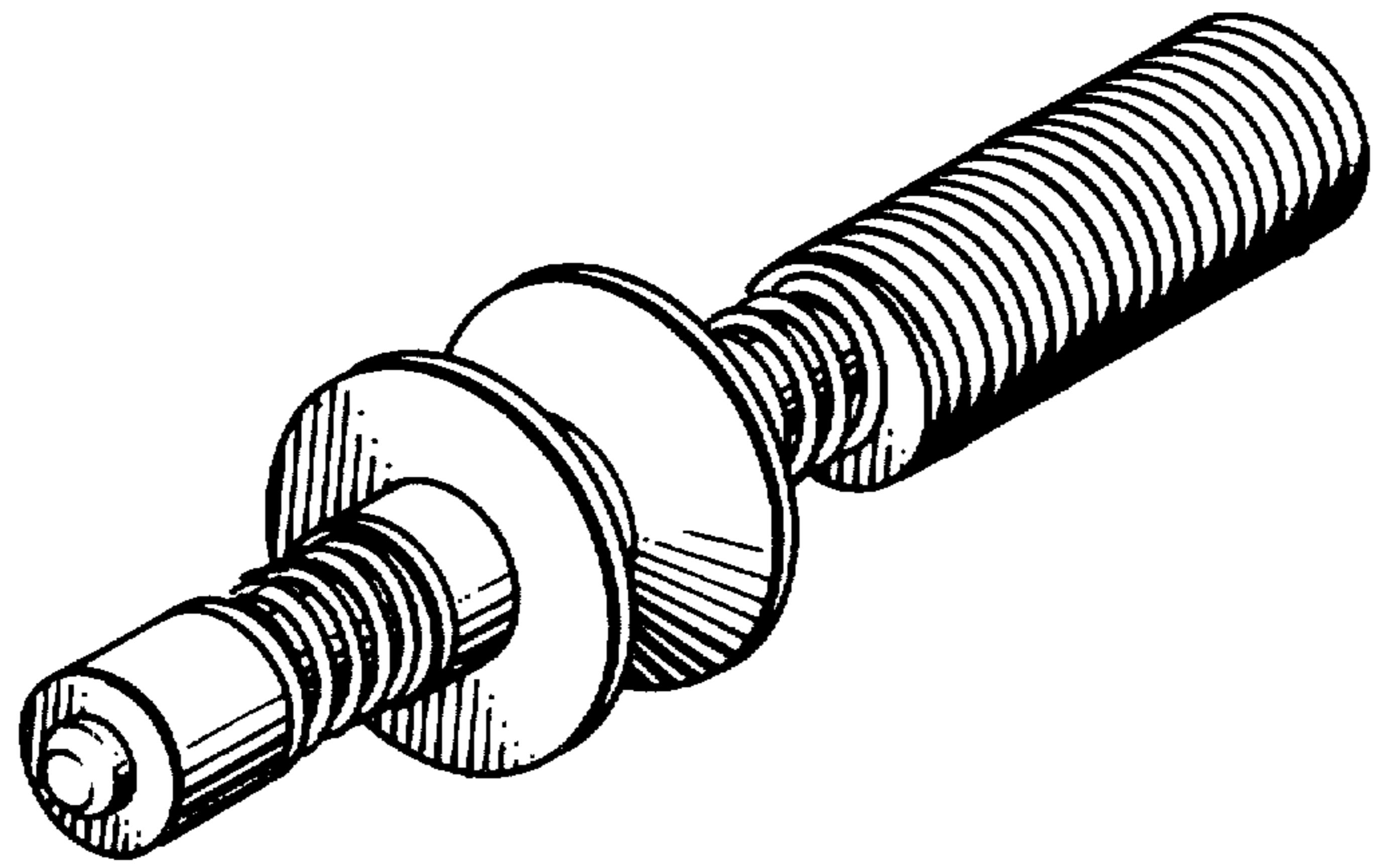
[57] **CLAIM**

The ornamental design for an arrow rest for archery bow, as shown and described.

DESCRIPTION

FIG. 1 is a perspective view of the arrow rest for archery bow of the invention;
FIG. 2 is a view from one end of the arrow rest;
FIG. 3 is a view from the other end of the arrow rest;
and
FIG. 4 is a side view of the arrow rest.

[56] **References Cited**
U.S. PATENT DOCUMENTS
3,482,563 12/1969 Pint 124/41 A X



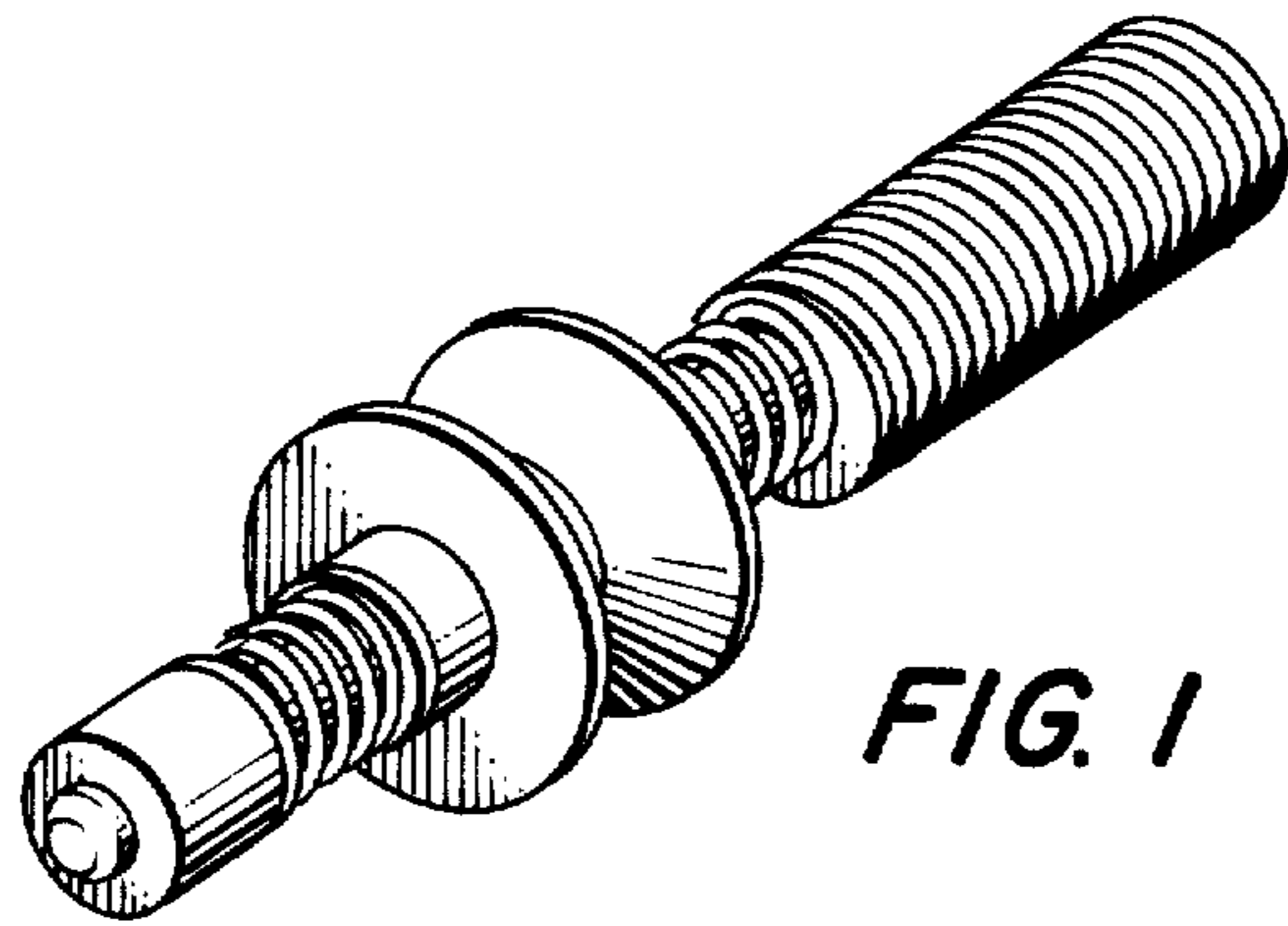


FIG. 1

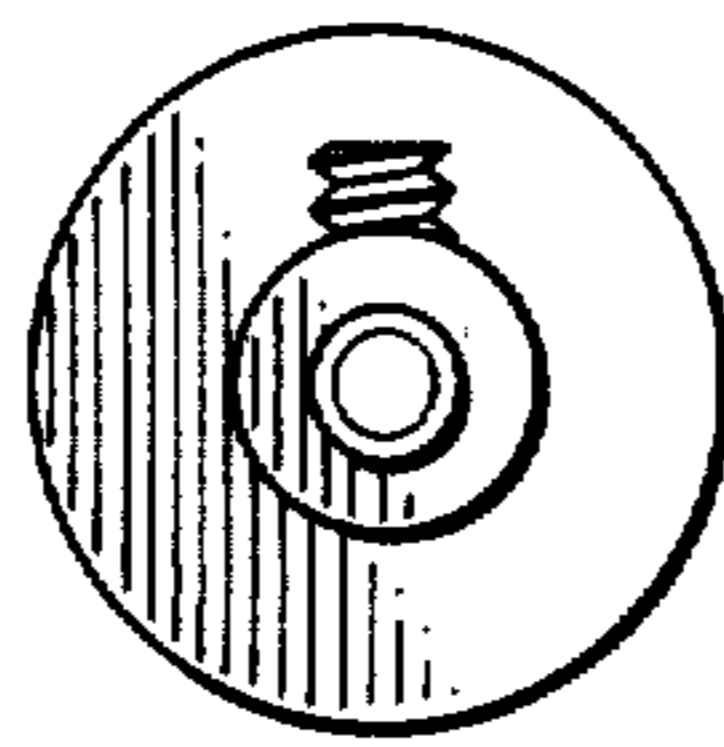


FIG. 2

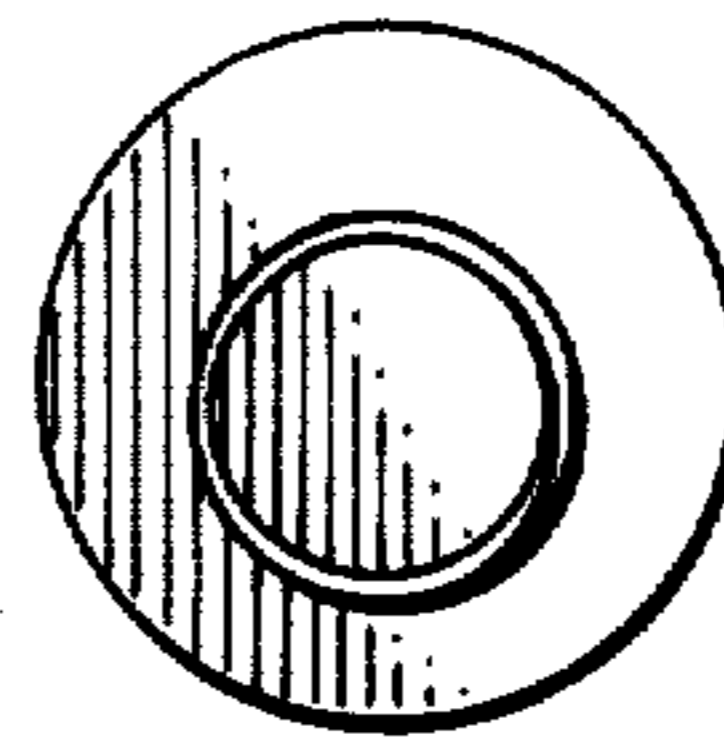


FIG. 3

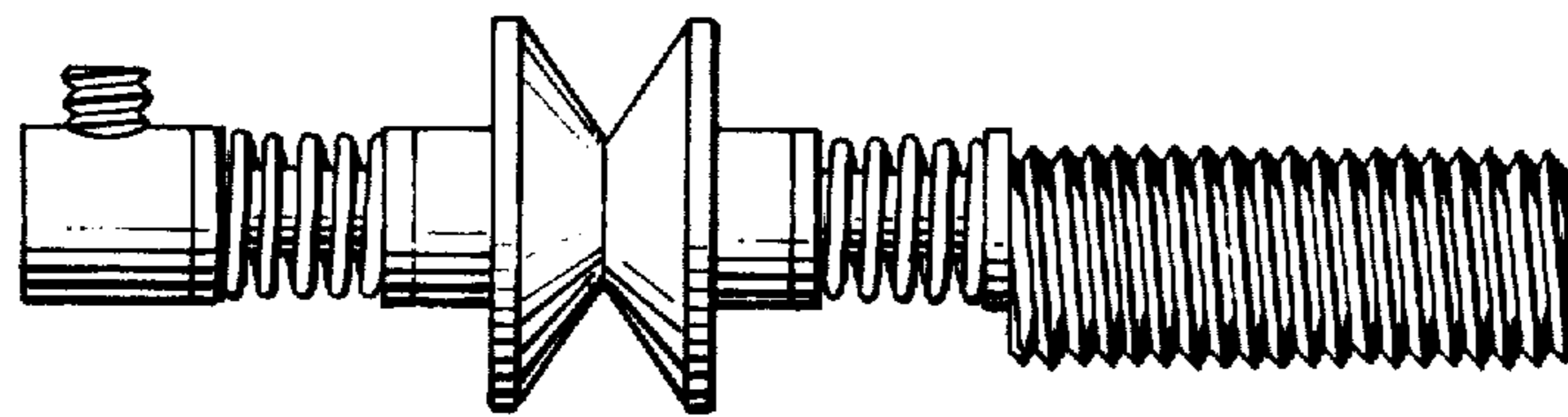


FIG. 4