

[54] TENT

[76] Inventor: **John F. Lotterer**, 23812 Via La  
Coruna, Mission Viejo, Calif. 92675

[\*\*] Term: **14 Years**

[21] Appl. No.: **161,554**

[22] Filed: **Jun. 20, 1980**

[51] Int. Cl. .... **D21-04**

[52] U.S. Cl. .... **D21/253**

[58] Field of Search ..... **D21/253, 254; 135/1 R,  
135/3 R, 3 E, 4 R, 5 R, 5 AT; D12/104**

2,014,336 9/1935 Marthaler ..... 135/4 R  
2,934,076 4/1960 Fulke ..... D21/253  
3,114,376 12/1963 Rexroat ..... D21/253

*Primary Examiner*—Charles A. Rademaker  
*Attorney, Agent, or Firm*—Grover A. Frater

[57] **CLAIM**

The ornamental design for a tent, as shown and described.

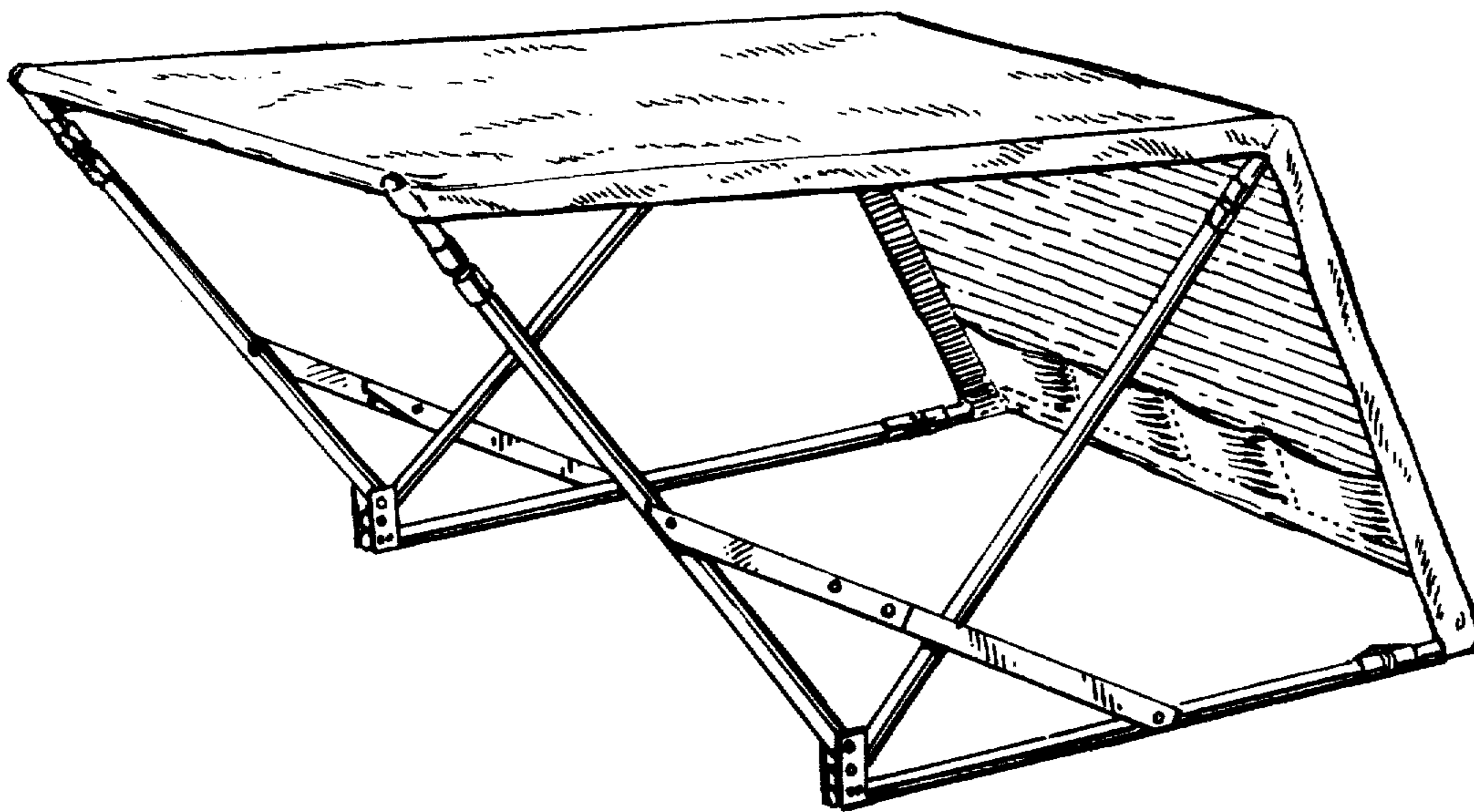
**DESCRIPTION**

FIG. 1 is a perspective view of a tent showing my new design;  
FIG. 2 is a side elevational view thereof, the side opposite being a mirror image;  
FIG. 3 is a bottom plan view thereof;  
FIG. 4 is a rear elevational view thereof;  
FIG. 5 is a front elevational view thereof; and  
FIG. 6 is a top plan view thereof.

[56] **References Cited**

**U.S. PATENT DOCUMENTS**

D. 260,163 8/1981 Stewart ..... D21/253  
746,675 12/1903 Childress ..... 135/4 R



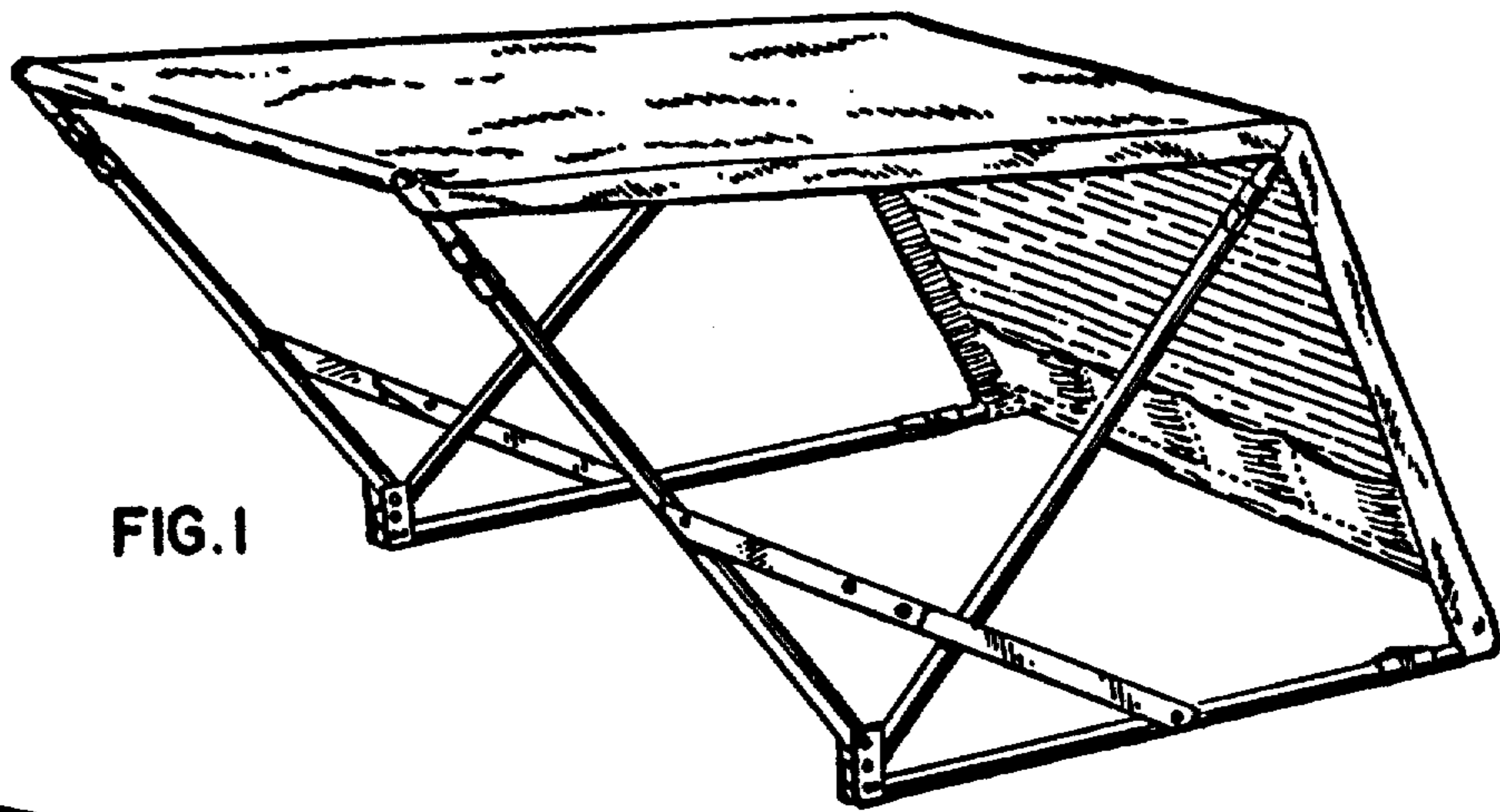


FIG. 1

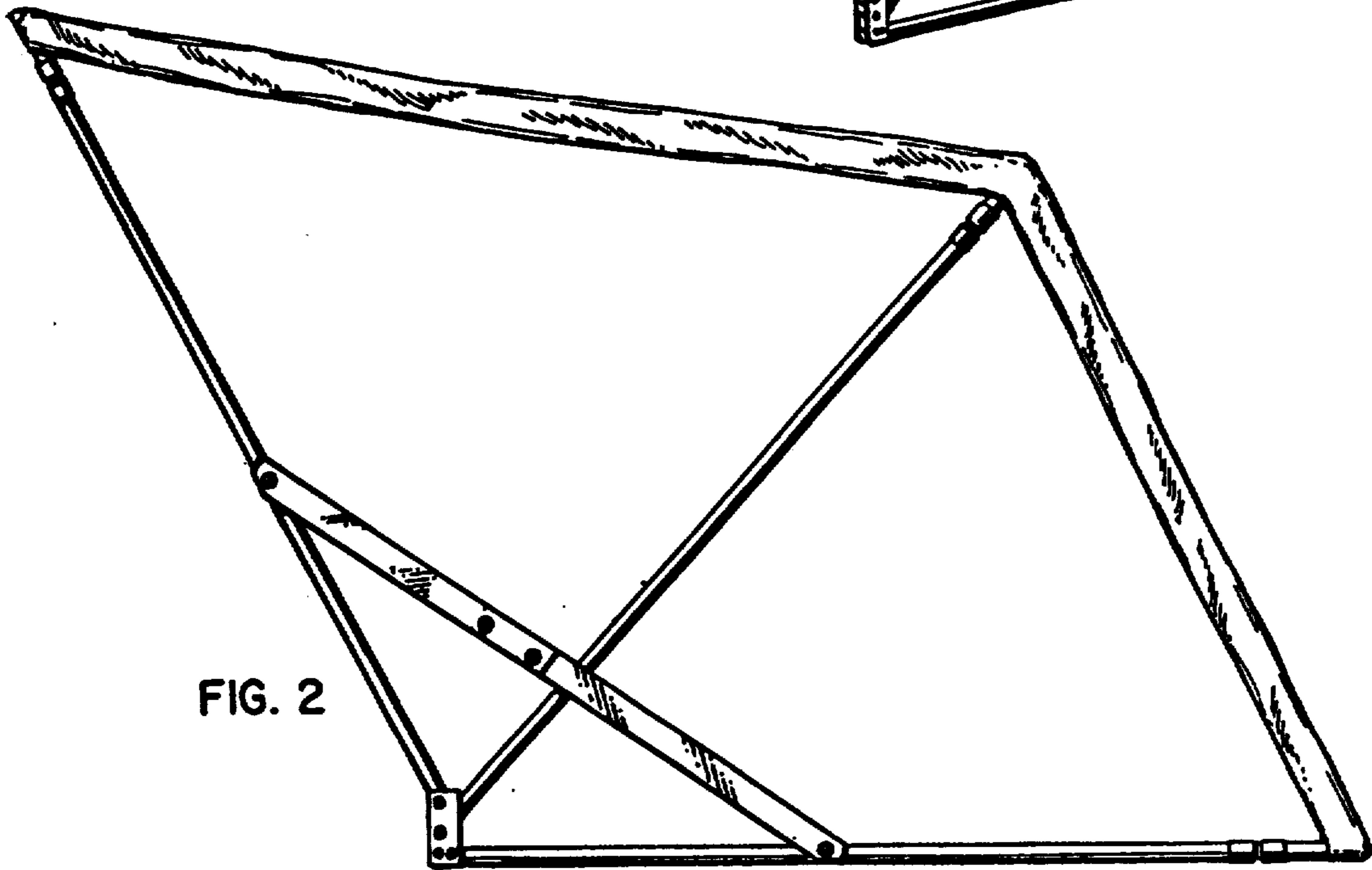


FIG. 2

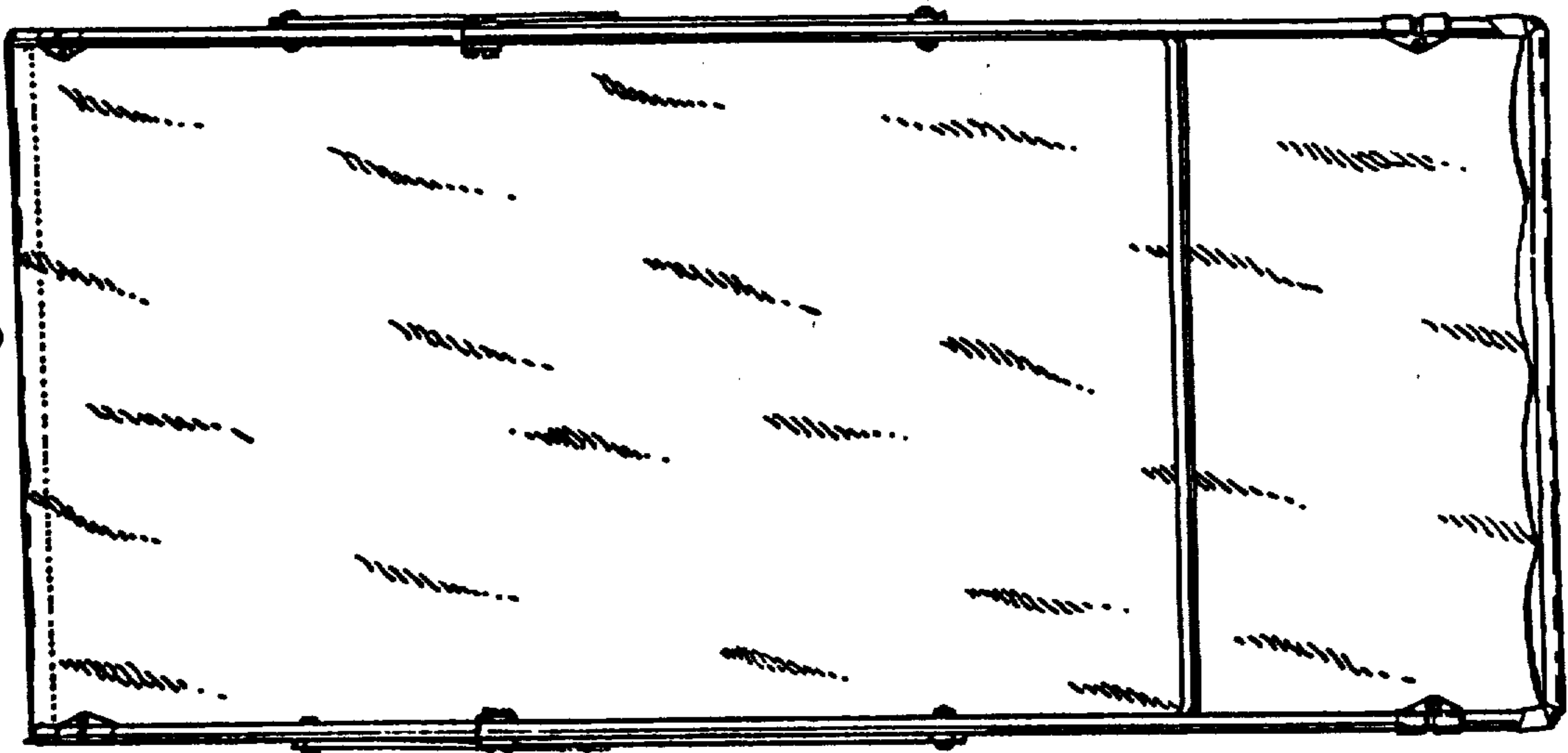


FIG. 3

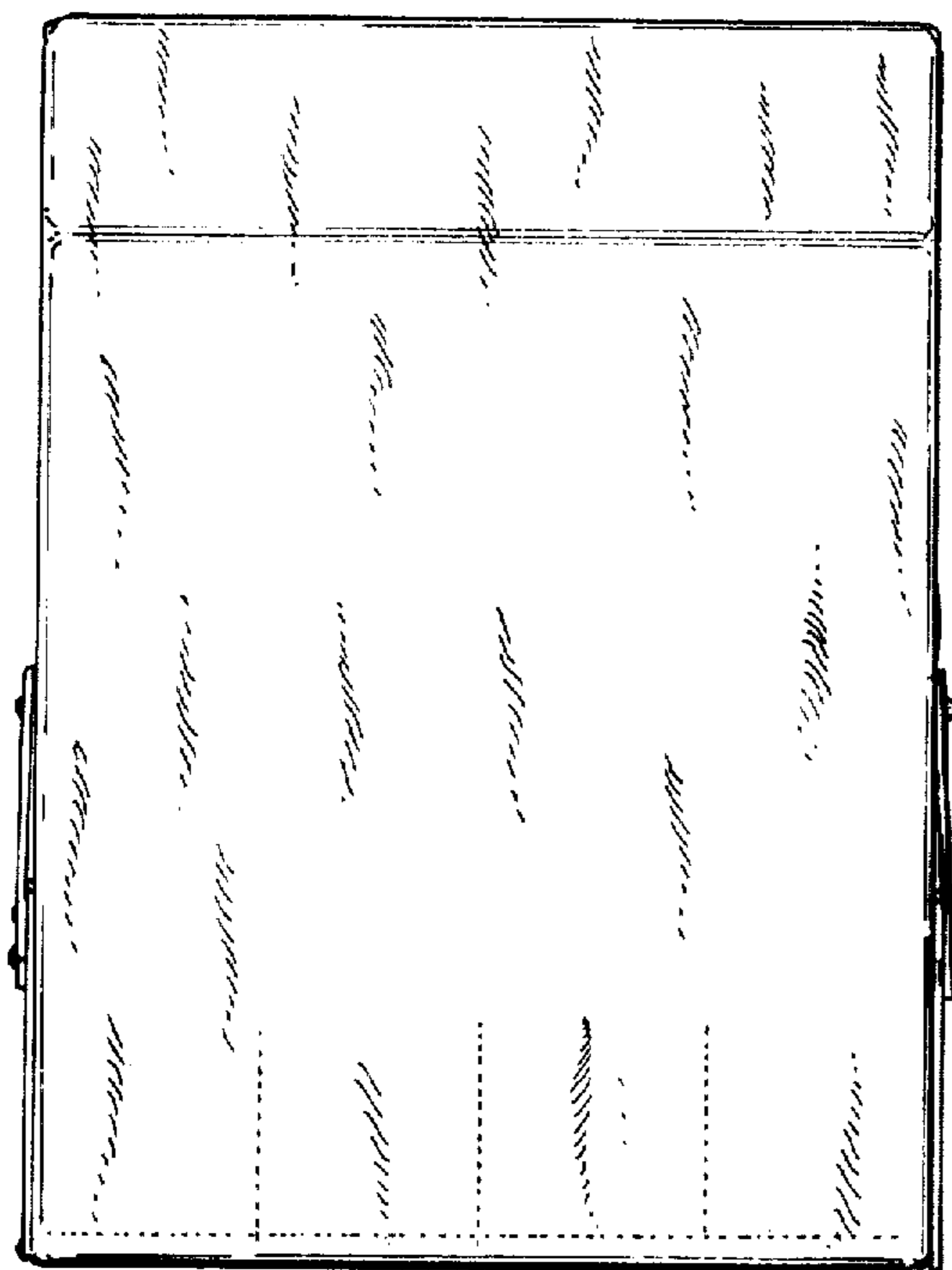


FIG. 4

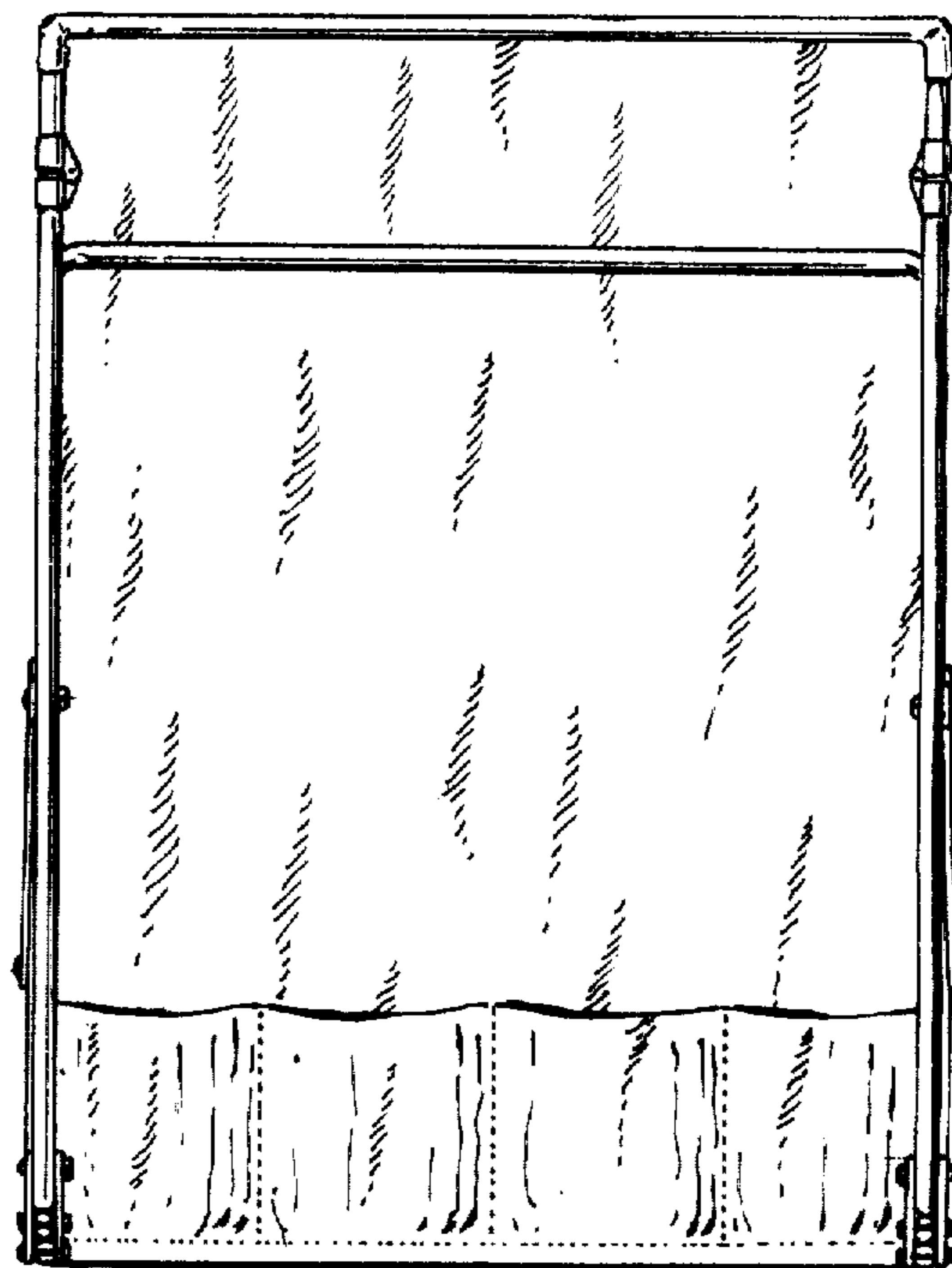


FIG. 5

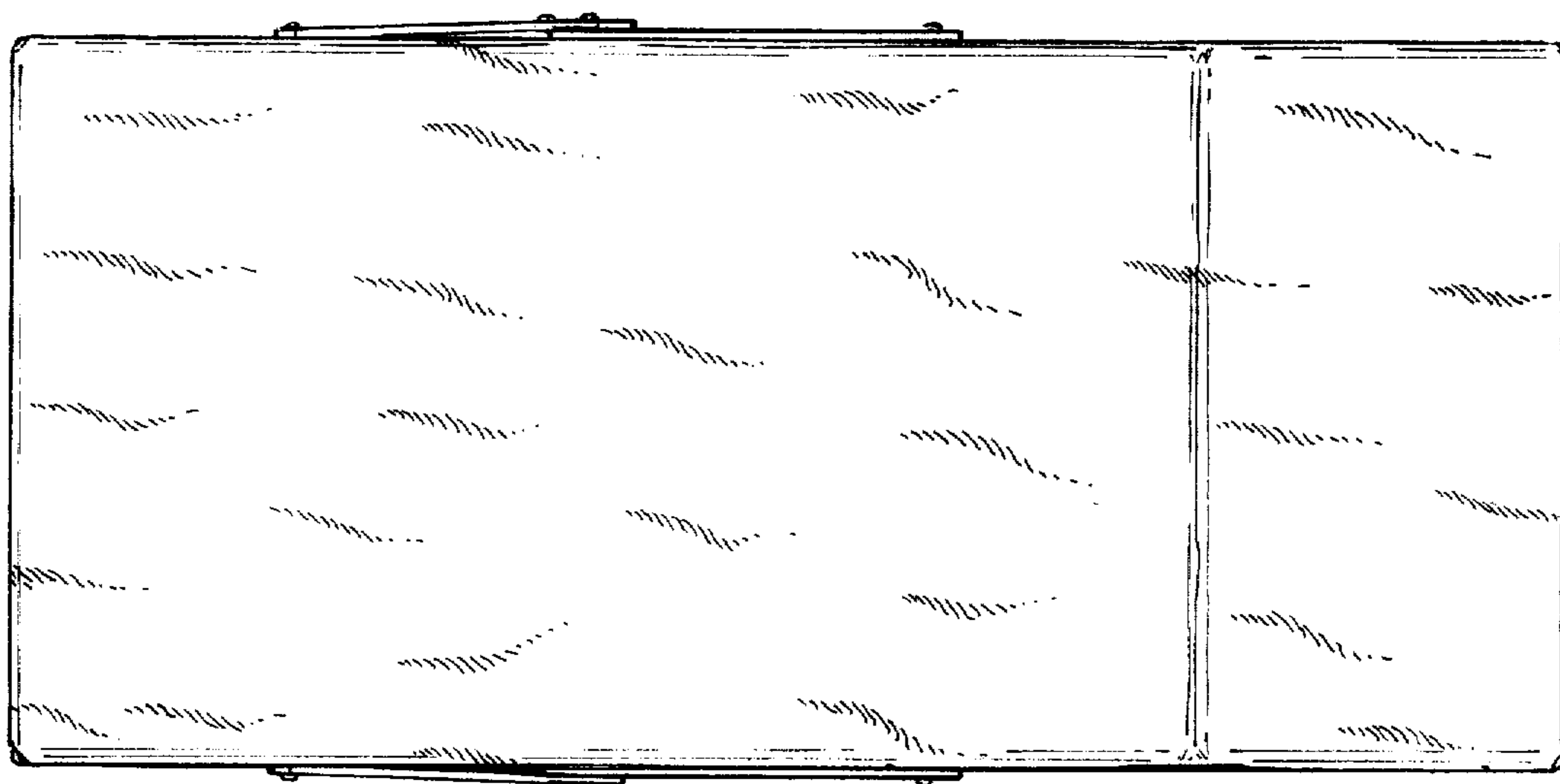


FIG. 6