

[54] AUTOMOBILE MANIFOLDS

[76] Inventor: **Benny Lindbrandt**, Tidaholmsvägen 37A, 121 48 Johanneshov, Sweden

[**] Term: **14 Years**

[21] Appl. No.: **152,503**

[22] Filed: **May 22, 1980**

[30] Foreign Application Priority Data

Nov. 30, 1979 [SE] Sweden 792642

[51] Int. Cl. **D15-1**

[52] U.S. Cl. **D15/5; D12/194**

[58] Field of Search **D15/5; 123/52 M; 261/DIG. 36; D12/194**

[56] References Cited

U.S. PATENT DOCUMENTS

1,629,500 5/1927 Good 123/52 M

OTHER PUBLICATIONS

Continental Cycles Corp. Flyer, side 2, Exhaust Manifold on Moped, bottom of page.

Primary Examiner—James M. Gandy
Attorney, Agent, or Firm—Pasquale A. Razzano

[57] CLAIM

The ornamental design for automobile manifolds, as shown.

DESCRIPTION

FIG. 1 is a top perspective view of an automobile manifold embodying my design;

FIG. 2 is a bottom perspective view;

FIG. 3 is a top plan view on a reduced scale;

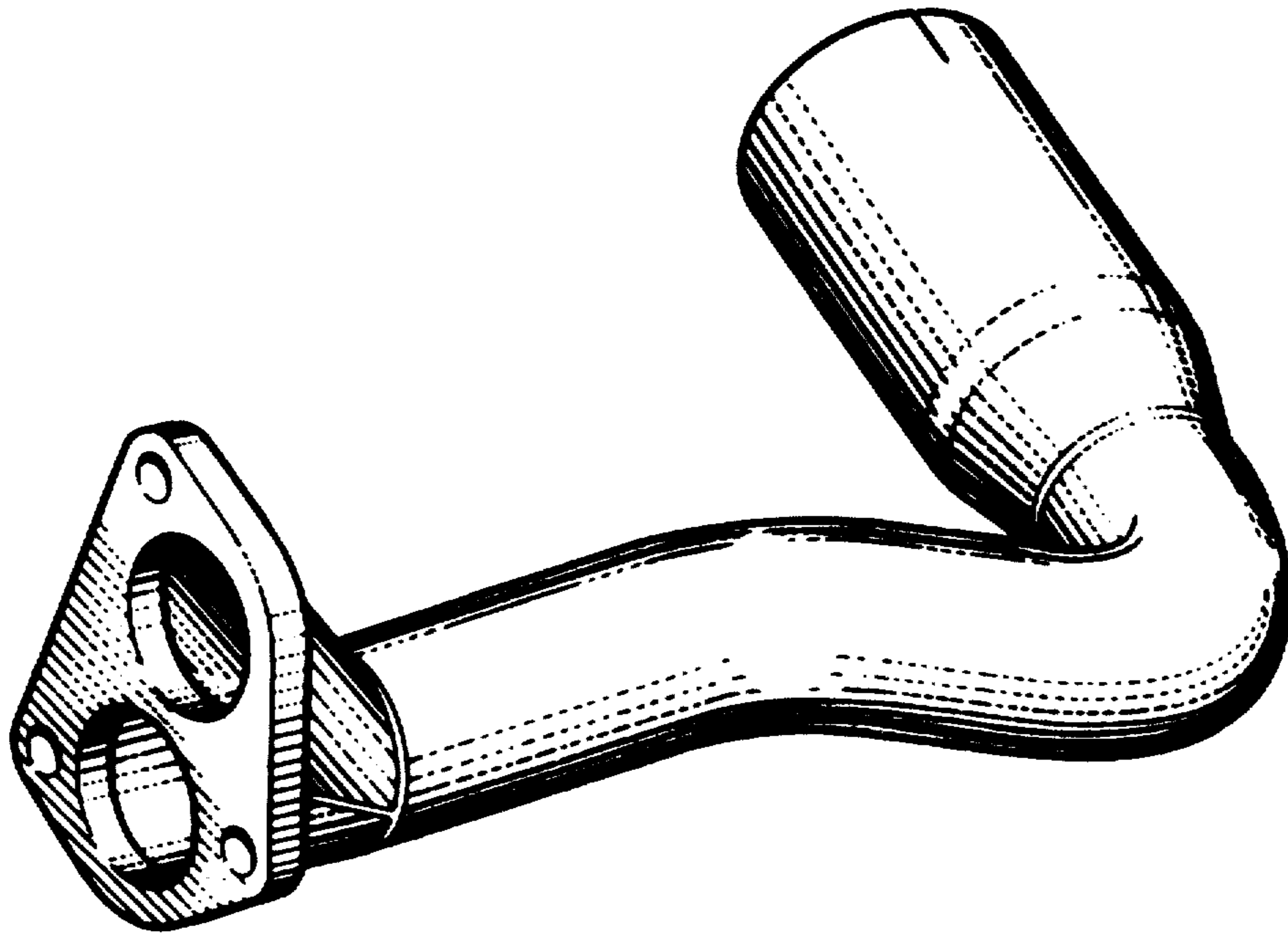
FIG. 4 is a right side elevational view on a reduced scale;

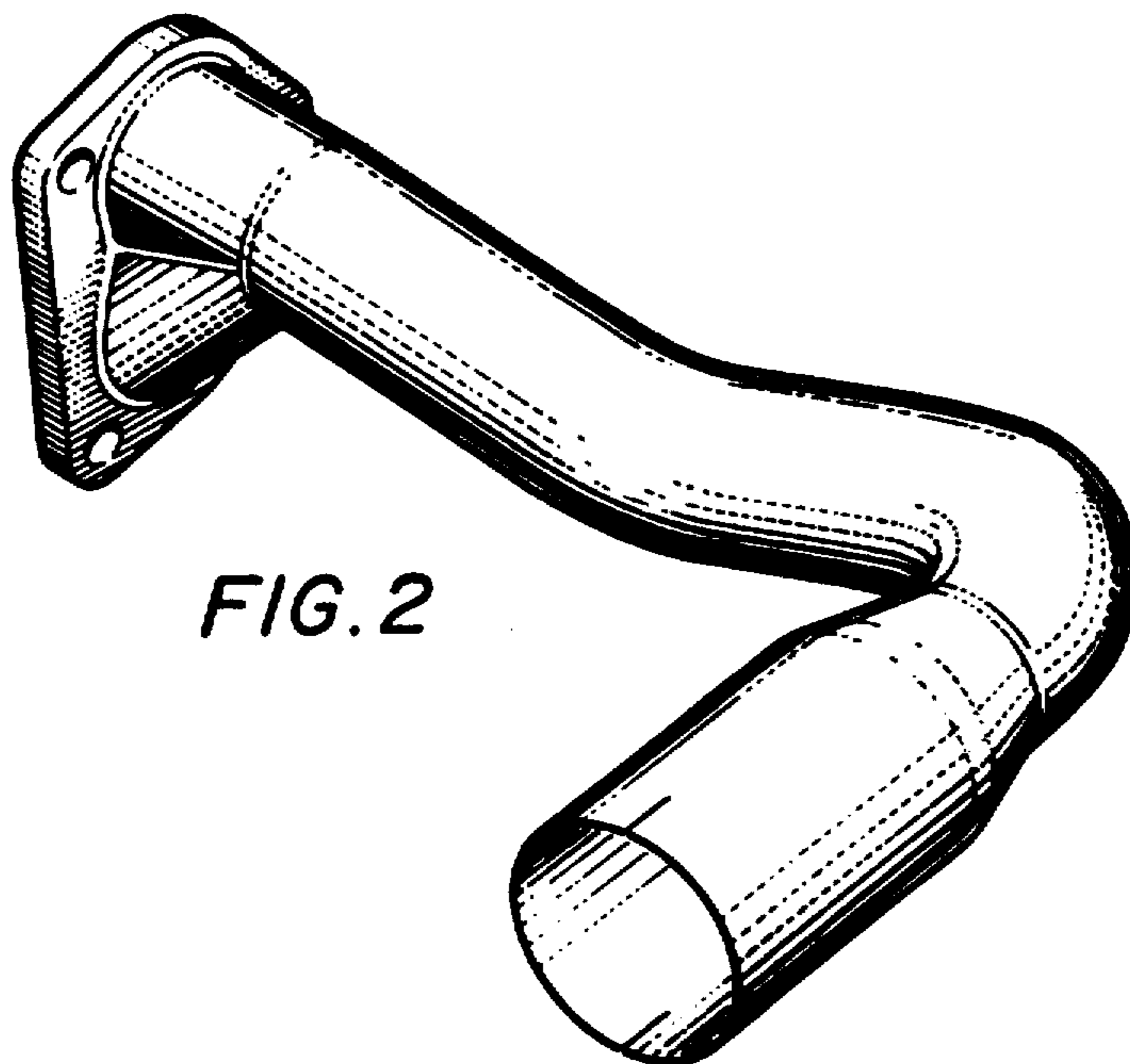
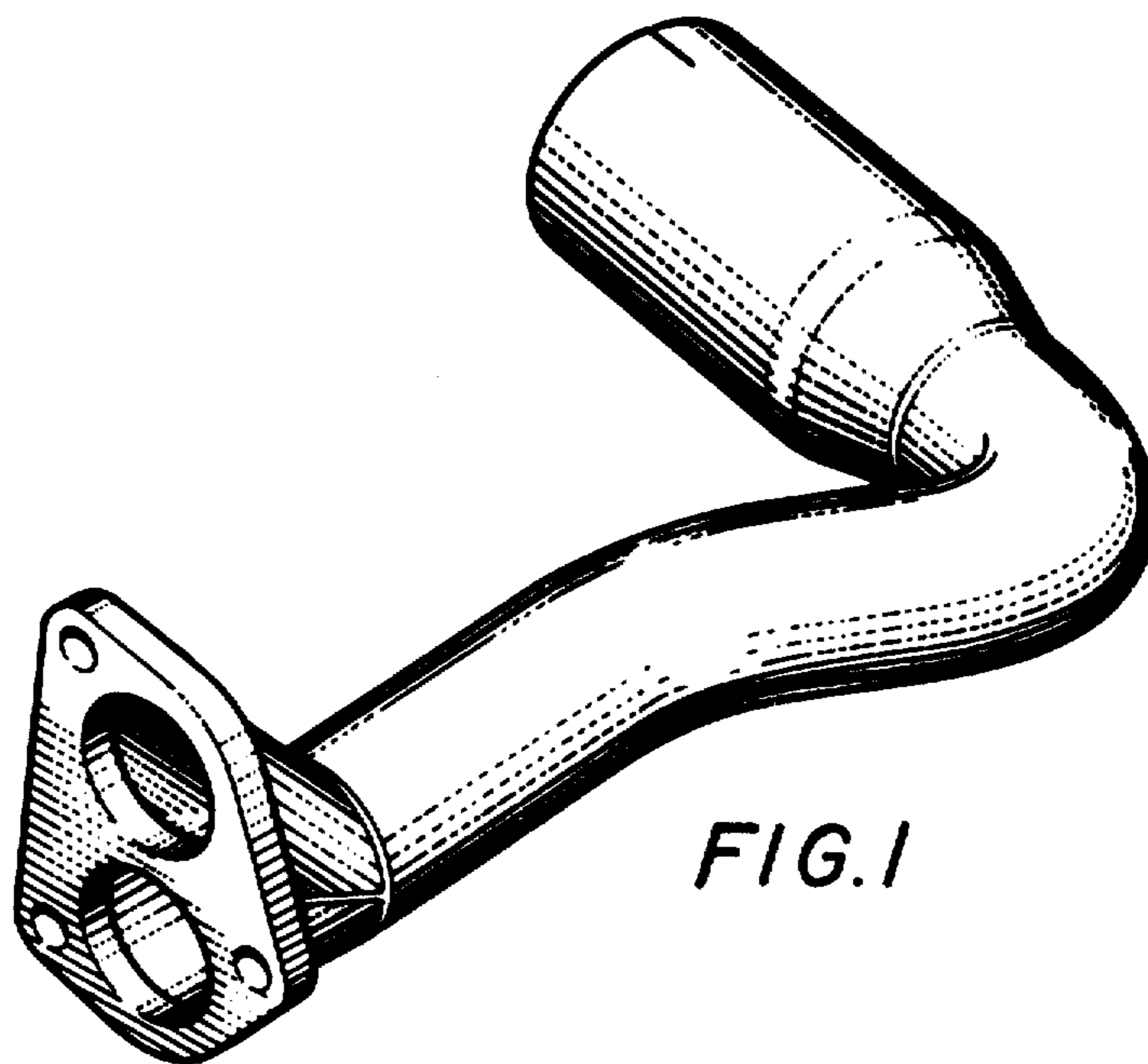
FIG. 5 is a bottom plan view on a reduced scale;

FIG. 6 is a left side elevational view on a reduced scale;

FIG. 7 is a front end elevational view on a reduced scale; and

FIG. 8 is a rear end elevational view on a reduced scale.





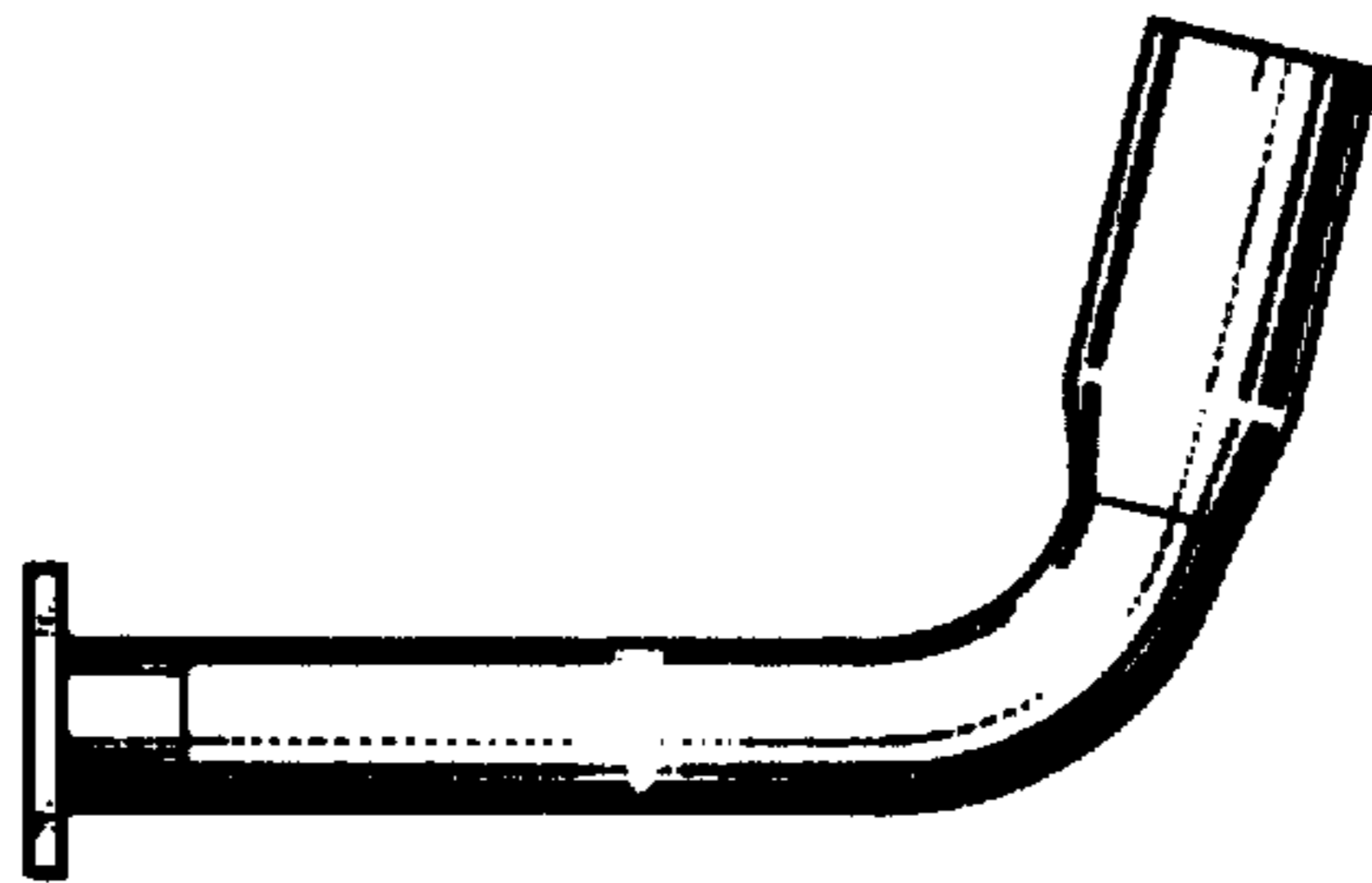


FIG. 3

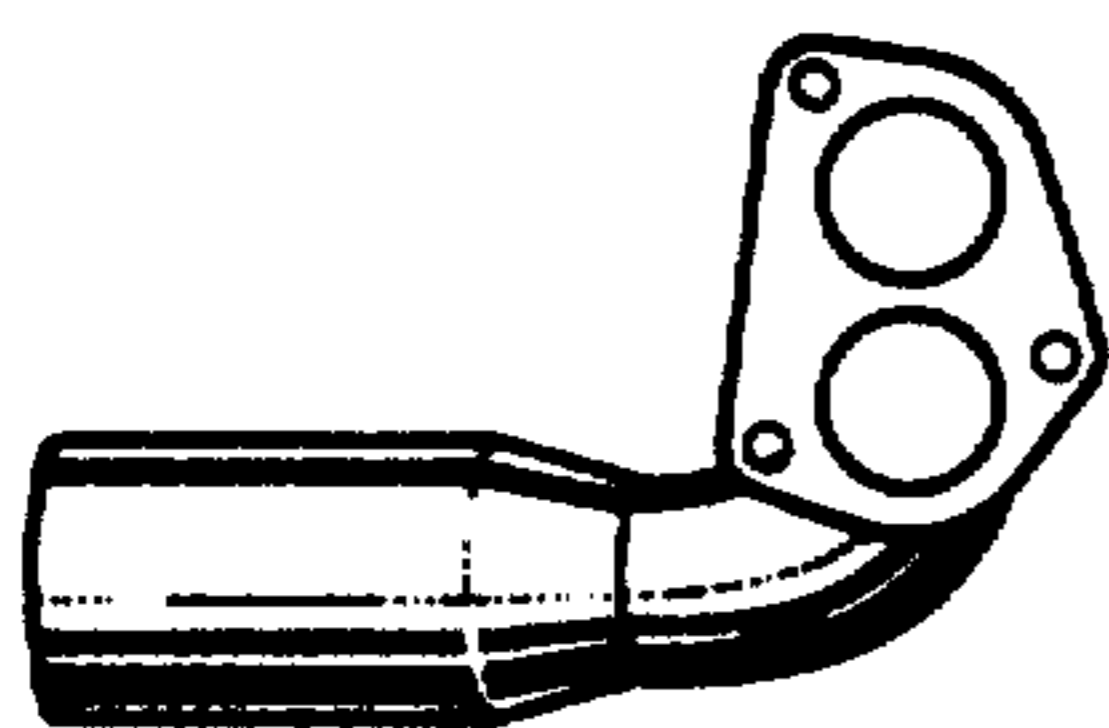


FIG. 7

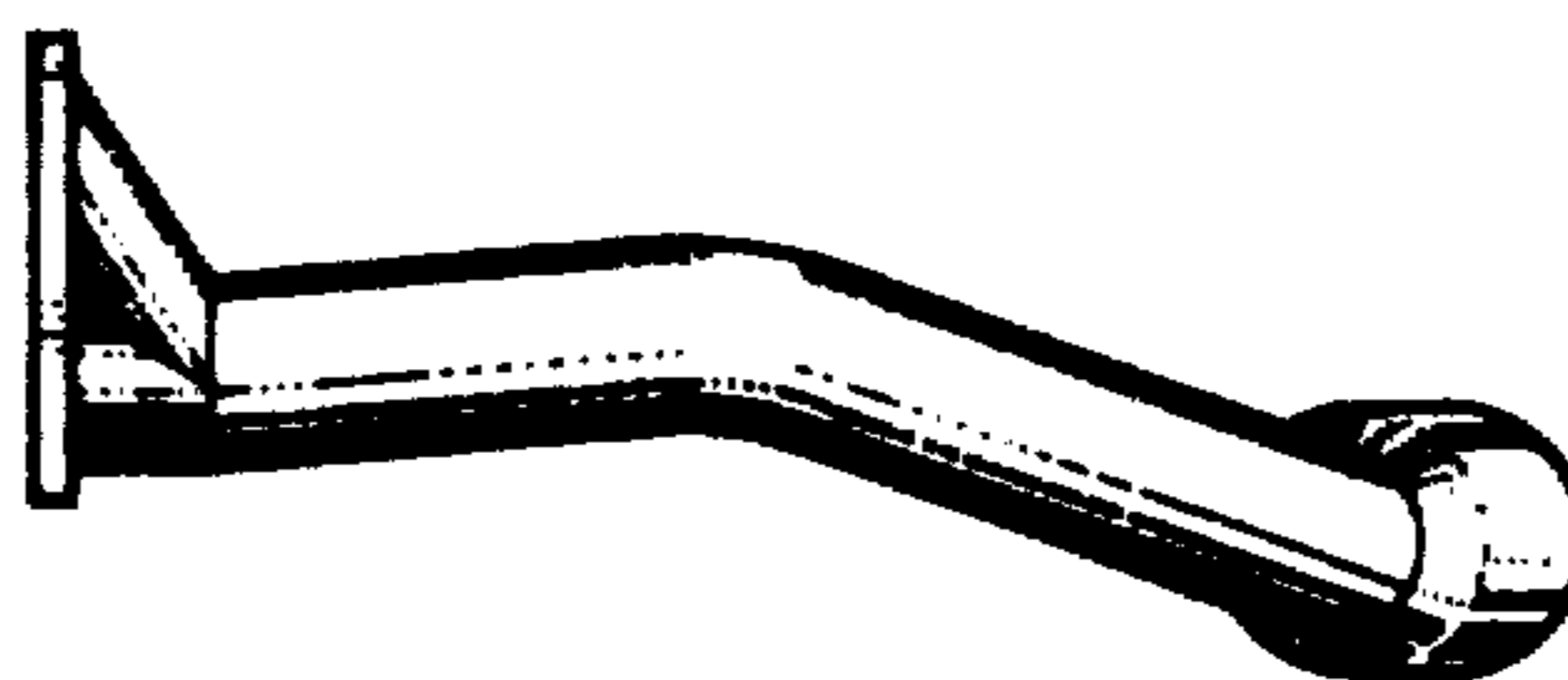


FIG. 4

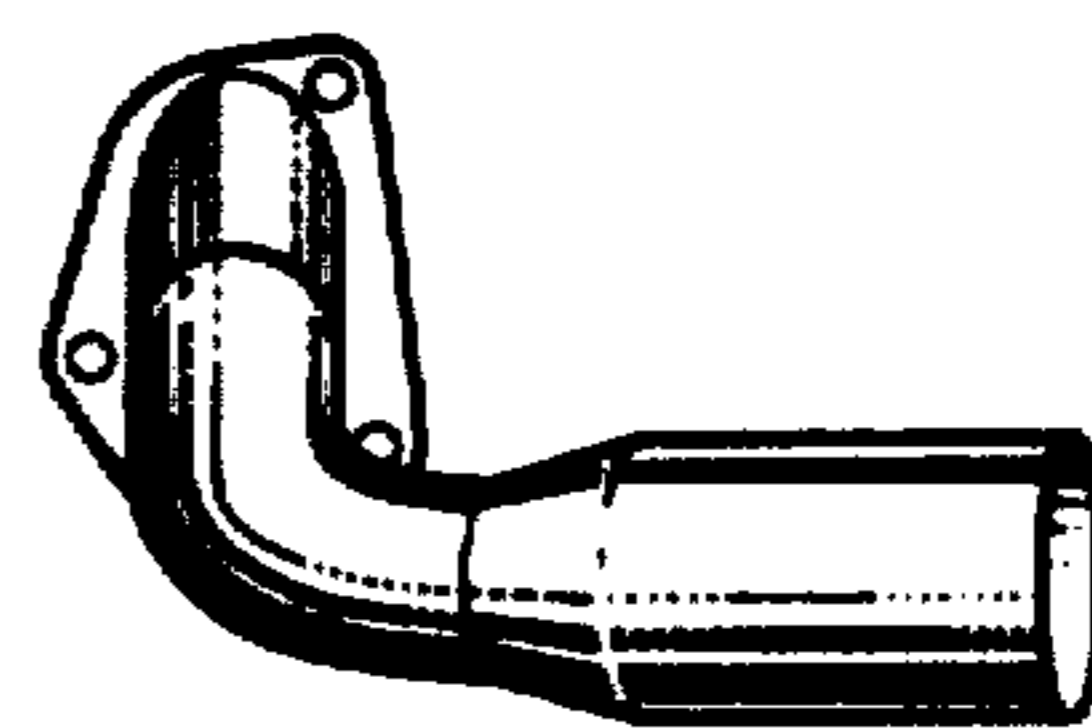


FIG. 8

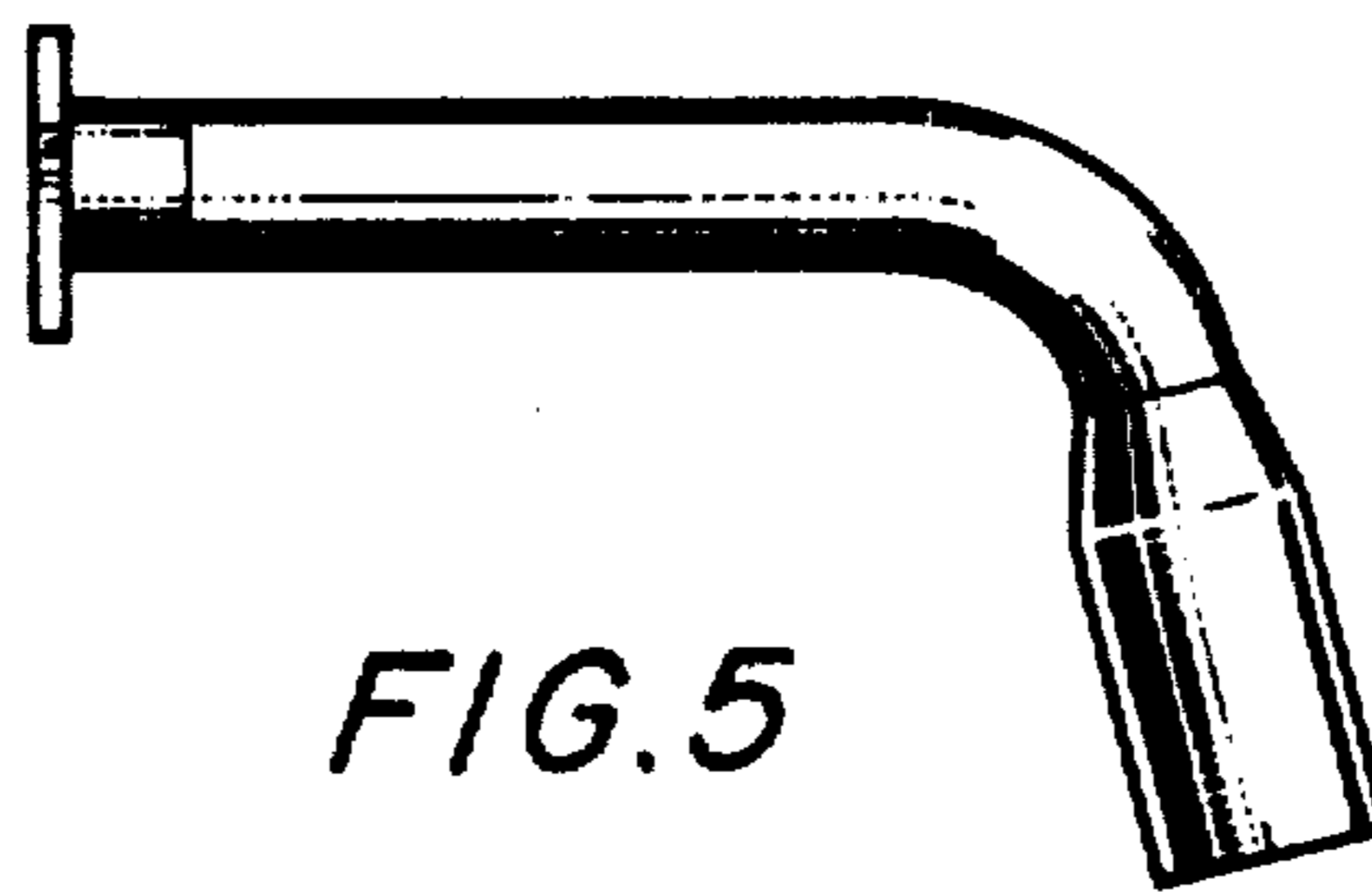


FIG. 5



FIG. 6