

[54] PAIR OF MOTORCYCLE FAIRING BODY EXTENDERS

[75] Inventors: **Randall K. Johnson**, Morro Bay; **Kenneth W. Cummings**, San Luis Obispo; **Charles M. Perethian**, Santa Margarita, all of Calif.

[73] Assignee: **First Champaign Corporation**, Rantoul, Ill.

[**] Term: **14 Years**

[21] Appl. No.: **157,334**

[22] Filed: **Jun. 9, 1980**

[51] Int. Cl. **D12-11**

[52] U.S. Cl. **D12/182**

[58] Field of Search **D12/182; 296/78.1; 280/289 S**

[56] **References Cited**

U.S. PATENT DOCUMENTS

- D. 242,340 11/1976 Vetter D12/182
- D. 244,522 5/1977 Vetter D12/182

FOREIGN PATENT DOCUMENTS

2535566 9/1976 Fed. Rep. of Germany 296/78.1

Primary Examiner—James M. Gandy
Attorney, Agent, or Firm—Wegner, McCord, Wood & Dalton

[57] **CLAIM**

The ornamental design for a pair of motorcycle fairing body extenders, as shown and described.

DESCRIPTION

FIG. 1 is a front elevational view of a pair of motorcycle fairing body extenders showing our new design; FIG. 2 is a side elevational view of the left fairing extender; FIG. 3 is an enlarged top perspective view of the left fairing extender; FIG. 4 is an enlarged rear perspective view of the left fairing extender; and FIG. 5 is an enlarged bottom perspective of the left fairing extender.

The right fairing extender is a mirror image of the left fairing extender and is not illustrated in detail. The broken line representation of a motorcycle fairing in FIGS. 1 and 2 is for illustrative purposes only and forms no part of the invention.

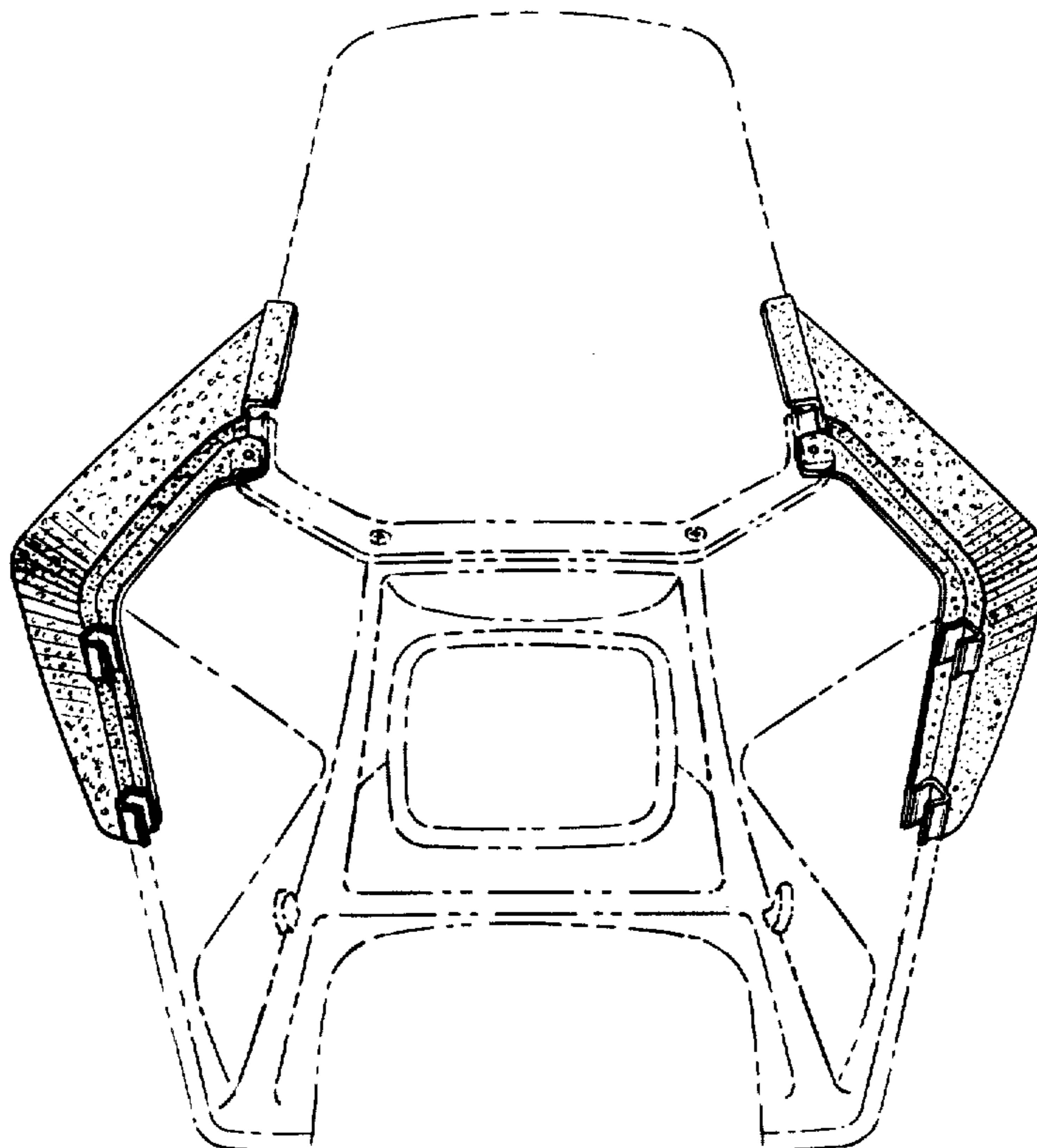


Fig. 1.

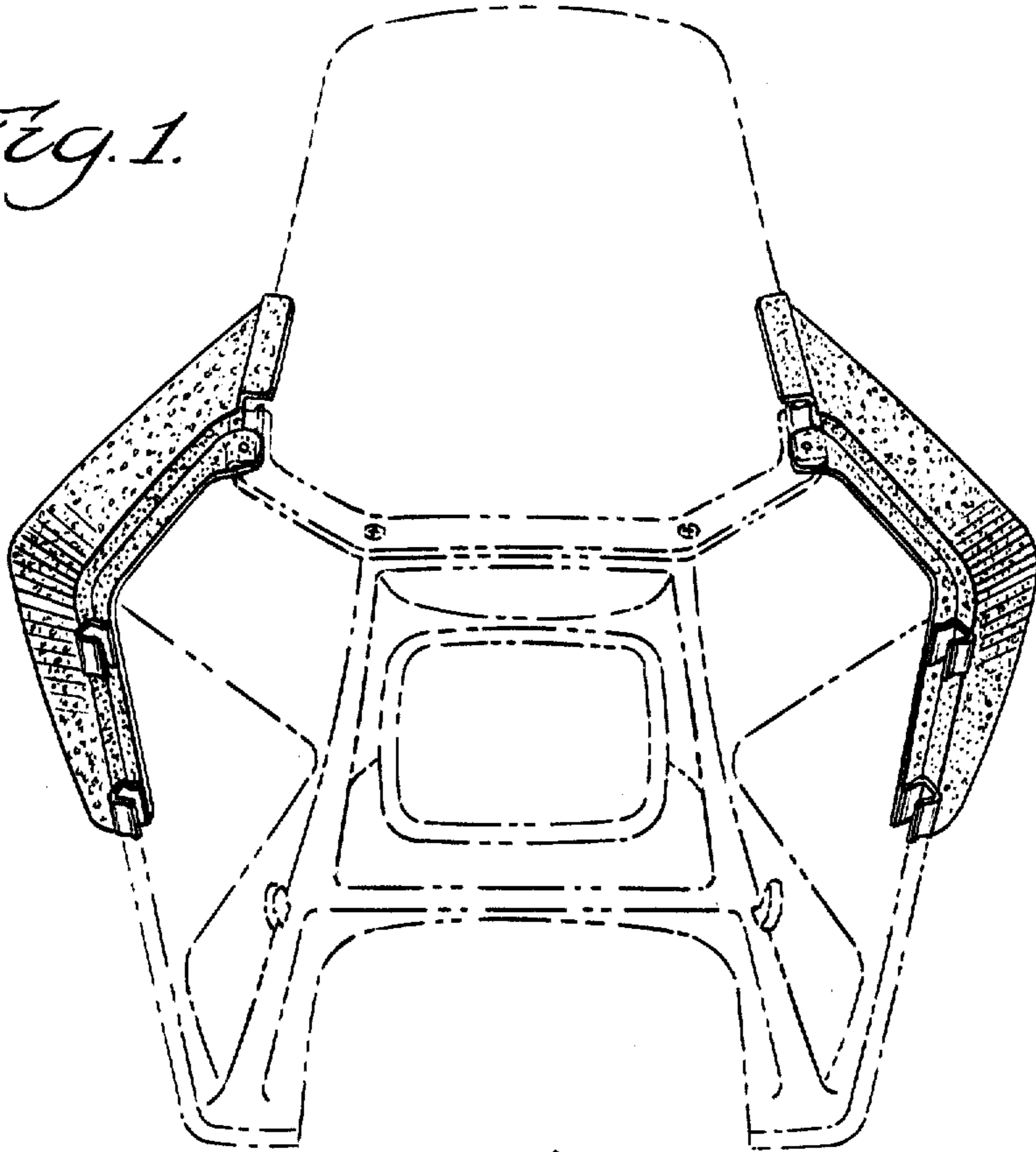


Fig. 2.

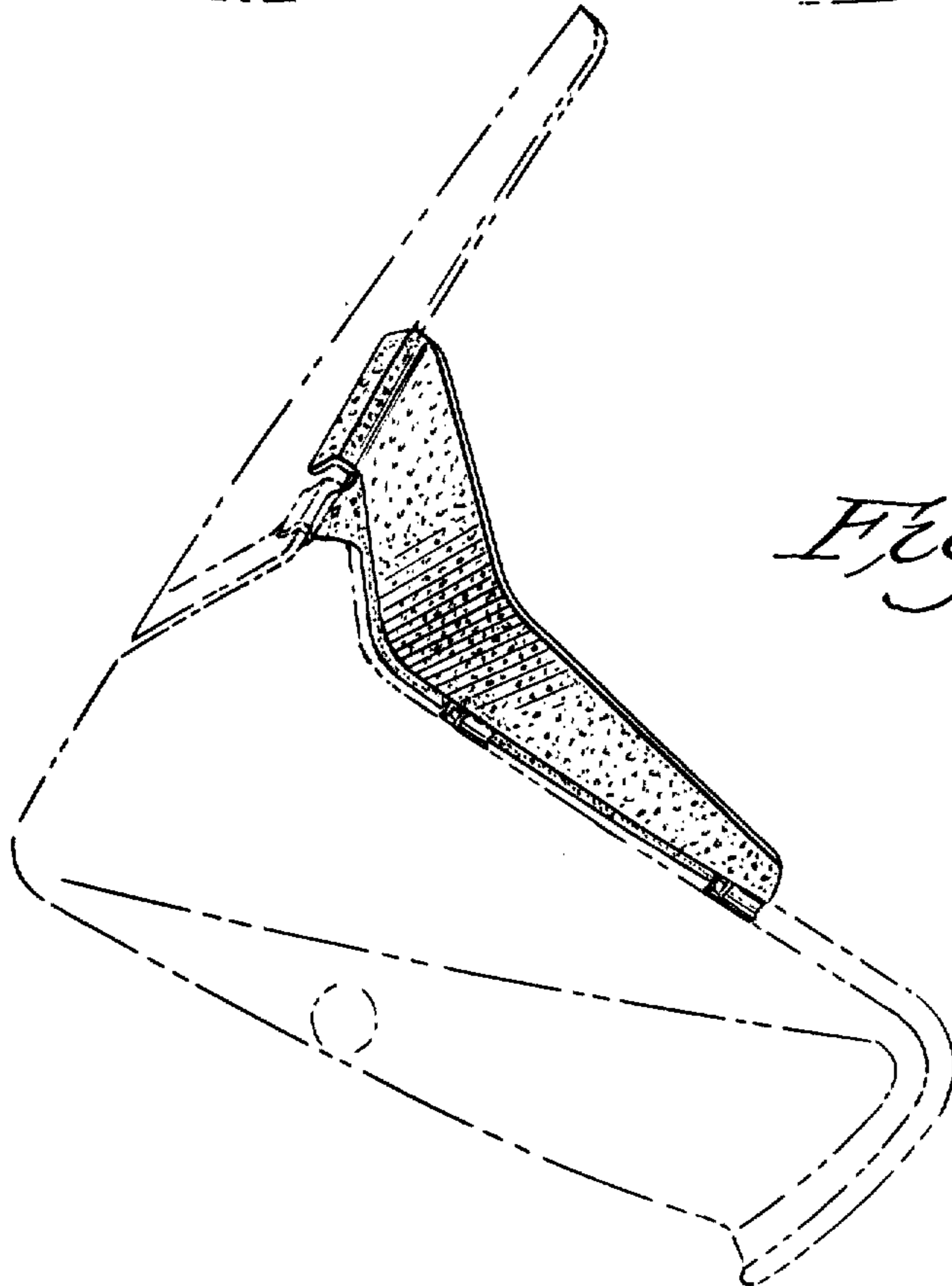


Fig. 3.

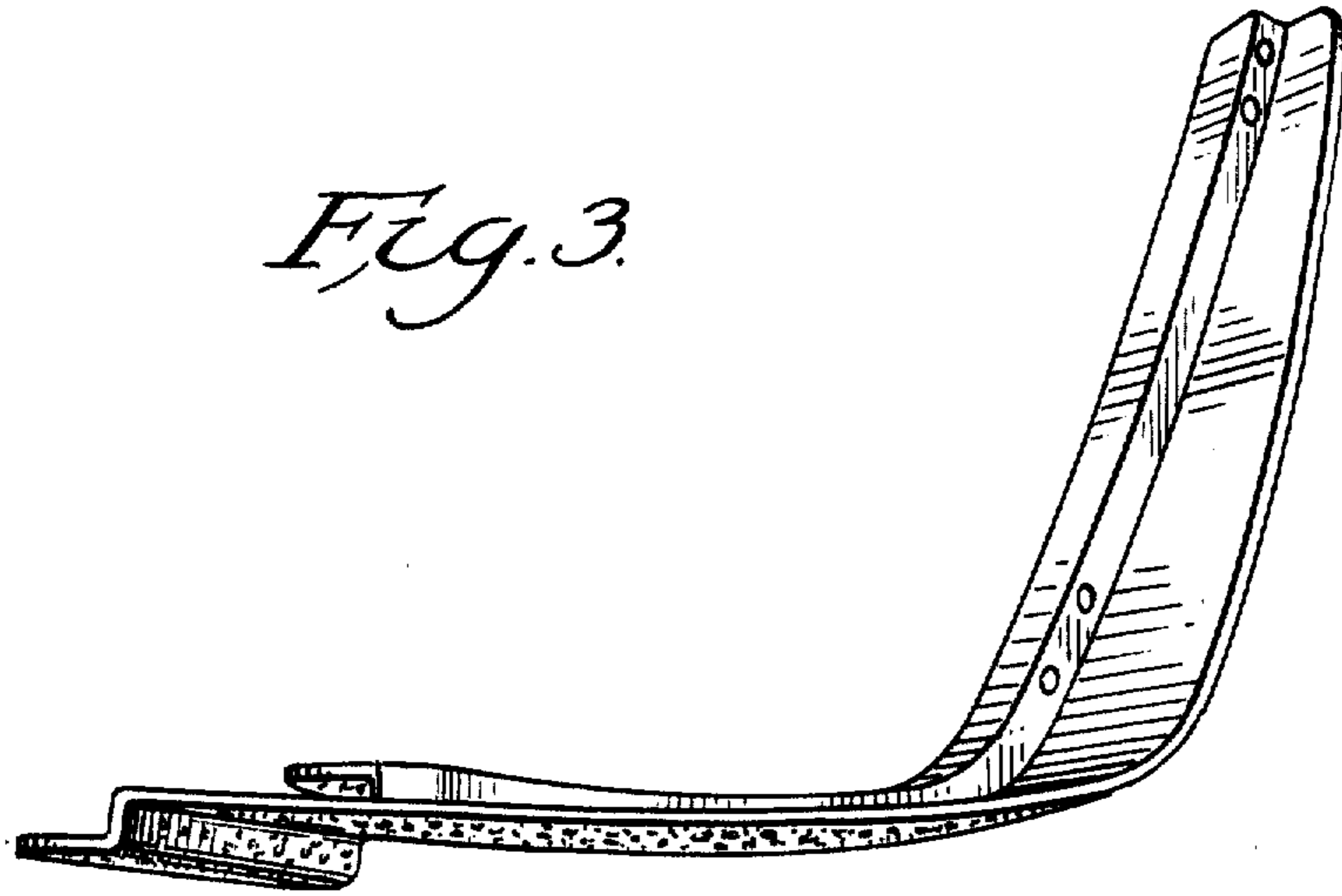


Fig. 4.

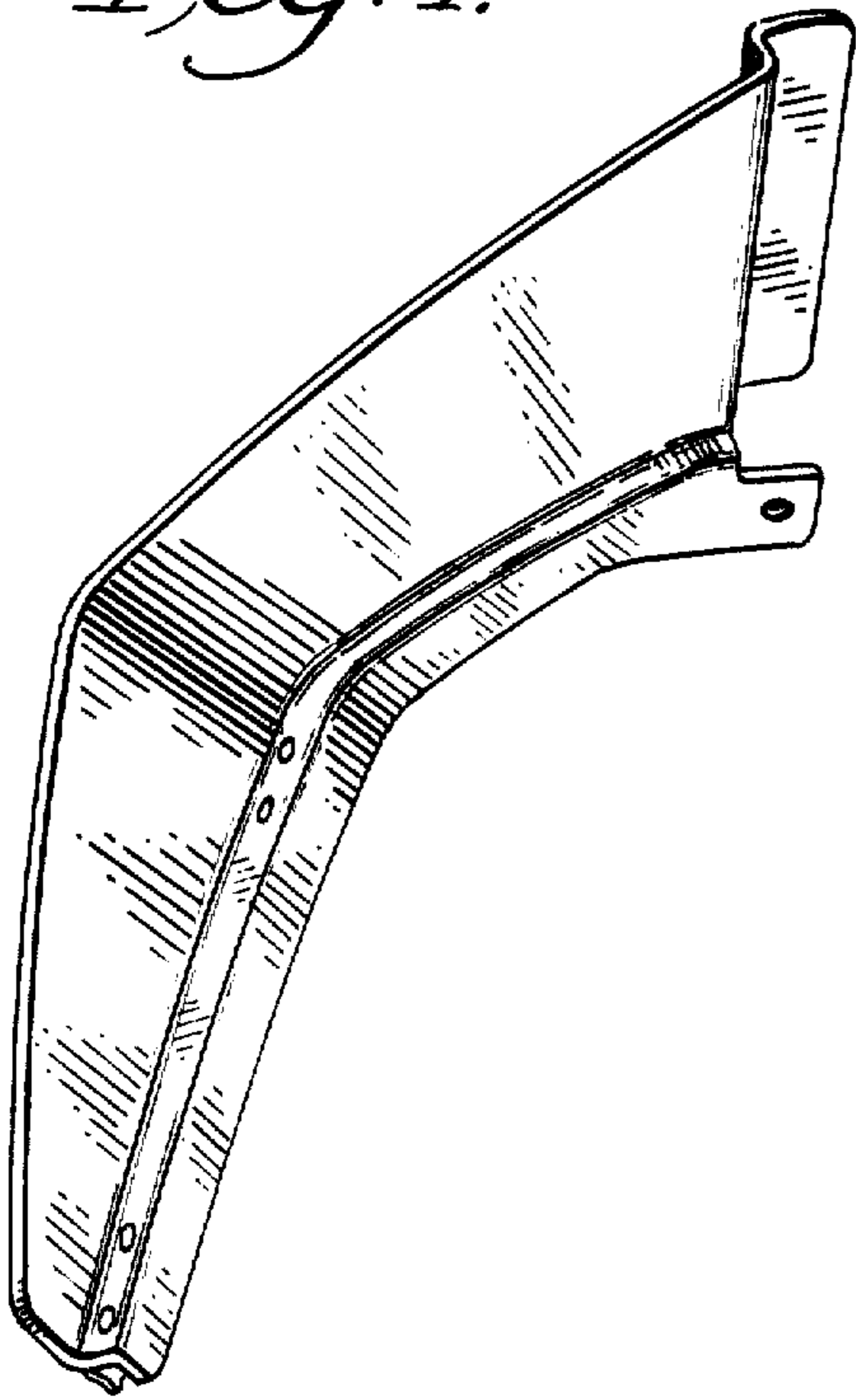


Fig. 5.

