

[54] **COMBINED TRICYCLE TRAILER AND BACKREST-HITCH**

4,274,649 6/1981 Vanderhorst et al. 280/204

[76] Inventor: **Robert J. Rosadini**, 62 Willow Ridge Rd., North Andover, Mass. 01845

[**] Term: **14 Years**

[21] Appl. No.: **162,756**

[22] Filed: **Jun. 25, 1980**

[51] Int. Cl. **D12-11**

[52] U.S. Cl. **D12/114**

[58] Field of Search **D12/105, 114, 112; D21/71, 135; 280/204, 202**

[56] **References Cited**

U.S. PATENT DOCUMENTS

- D. 204,750 5/1966 Simmons et al. D12/105
- D. 246,300 11/1977 Dortch et al. D12/105
- 2,980,442 4/1961 Krokos et al. 280/204
- 3,747,955 7/1973 MacAlpine 280/202

OTHER PUBLICATIONS

Sears 1977 Christmas Catalog, p. 551, Tractor and Trailer Set, 10 & 11, bottom left side of page.

Sears 1973 Christmas Catalog, p. 580, Tractor & Trailer Set, bottom left side of page.

Primary Examiner—James M. Gandy

Attorney, Agent, or Firm—Milton Oliver

[57] **CLAIM**

The ornamental design for a combined tricycle trailer and backrest-hitch, as shown.

DESCRIPTION

FIG. 1 is a top plan view of a combined tricycle trailer and backrest-hitch showing my new design;

FIG. 2 is an exploded side elevational view thereof;

FIG. 3 is a front elevational view thereof;

FIG. 4 is a left rear perspective view thereof; and

FIG. 5 is a bottom plan view thereof.

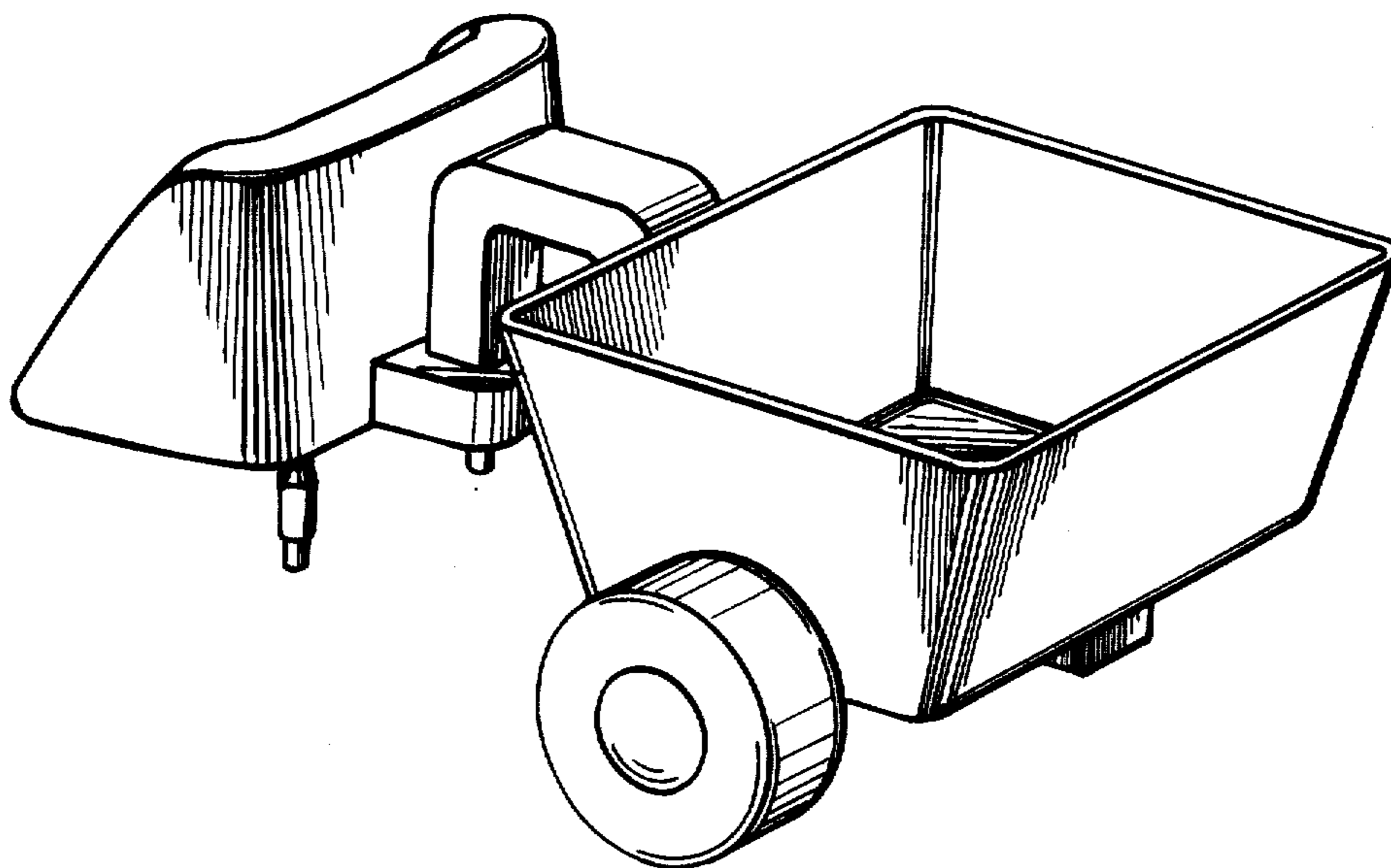


Fig. 1

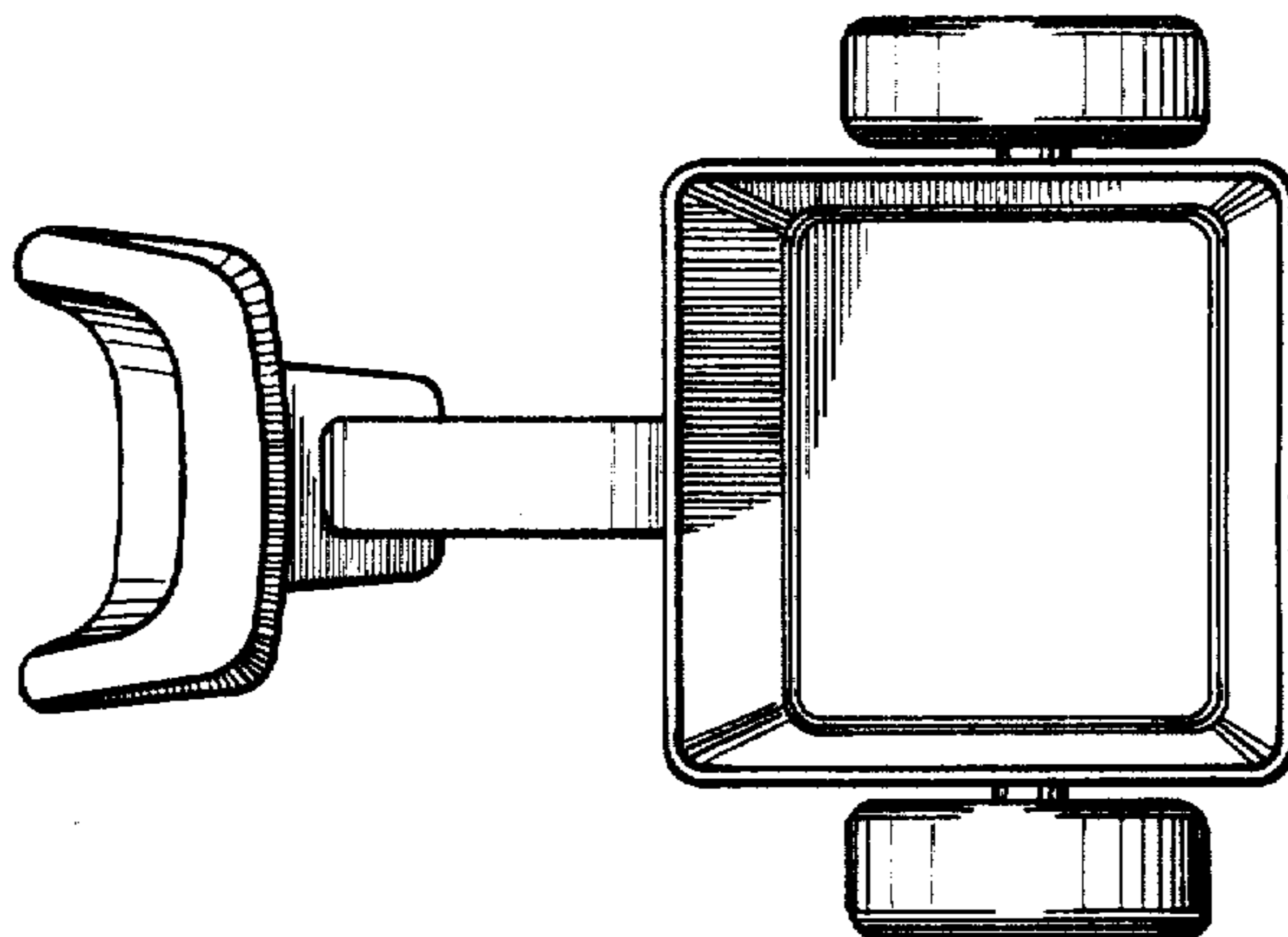


Fig. 2

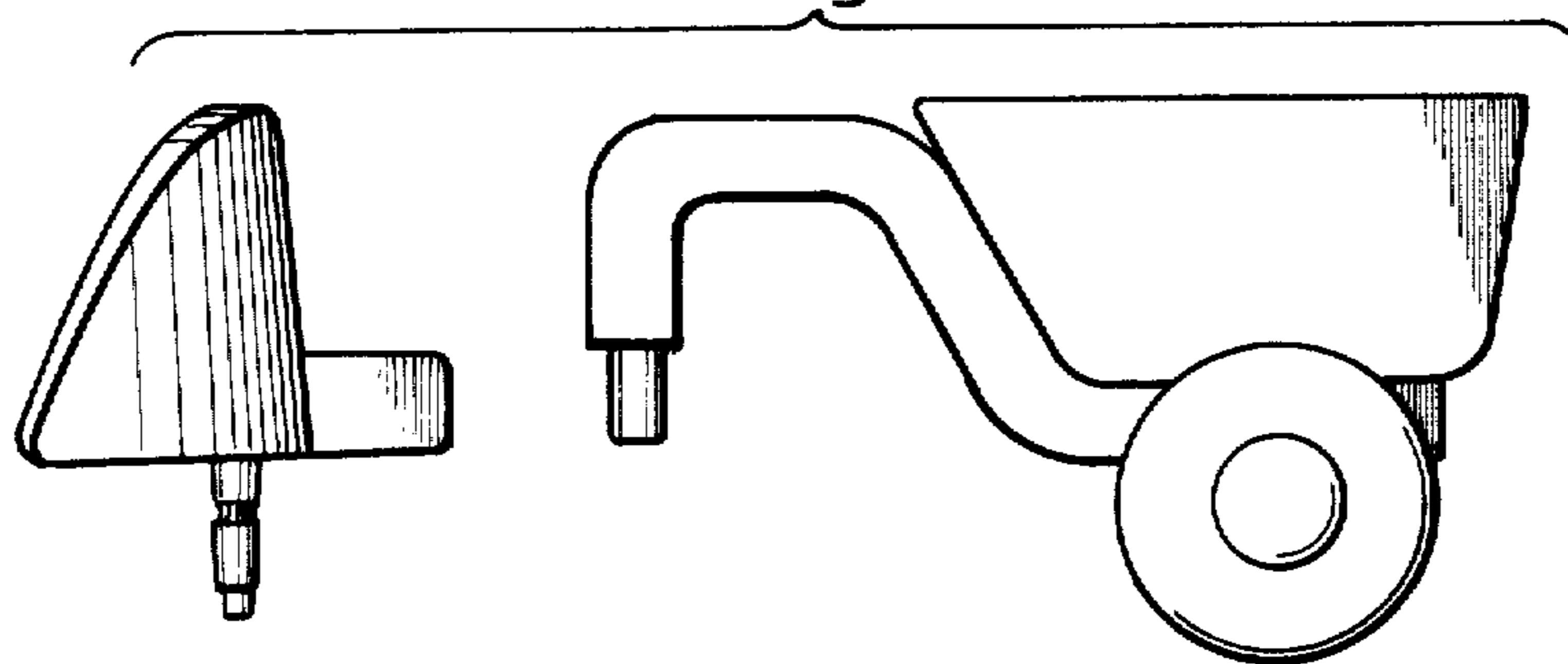


Fig. 3

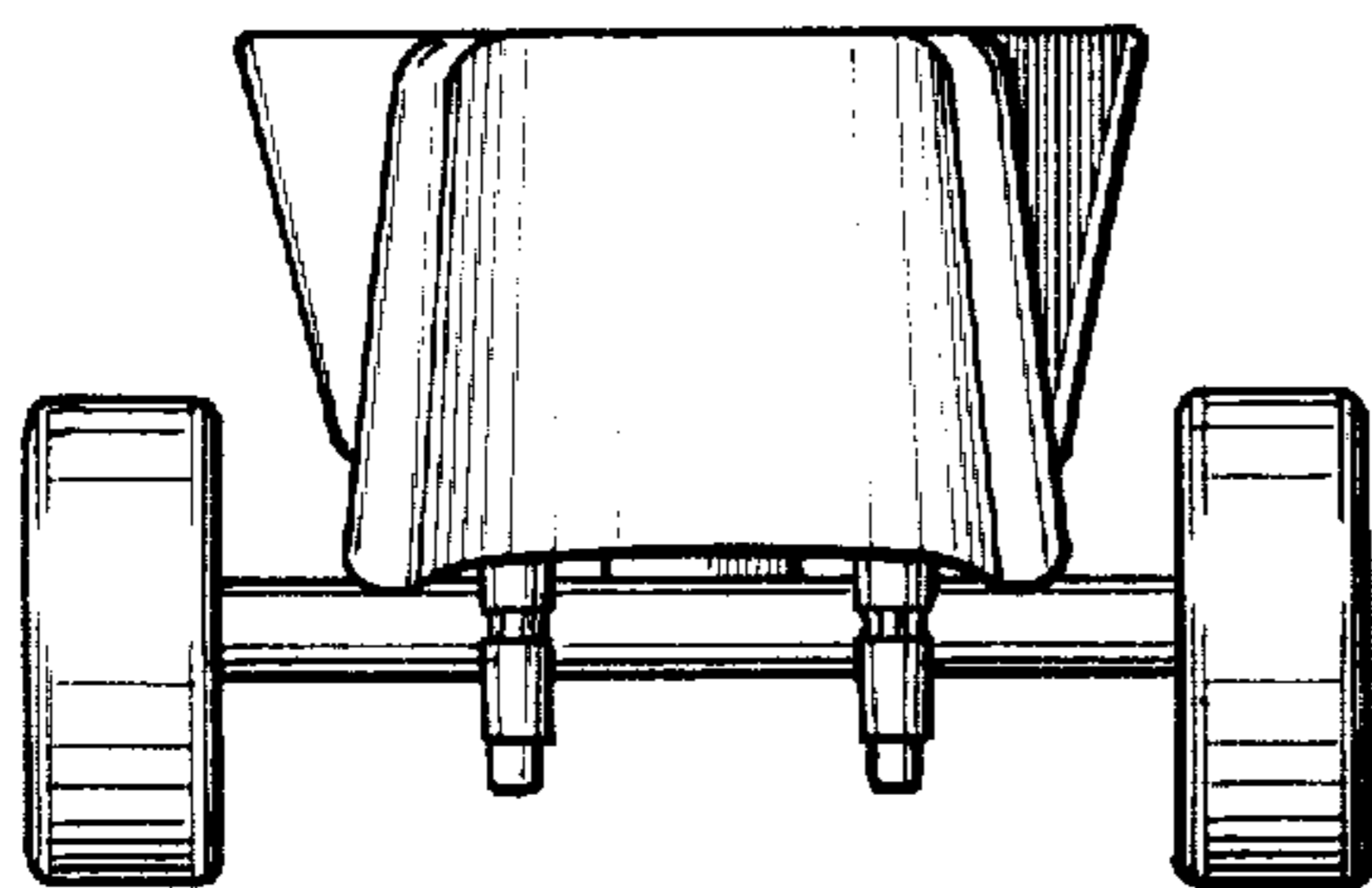


Fig. 4

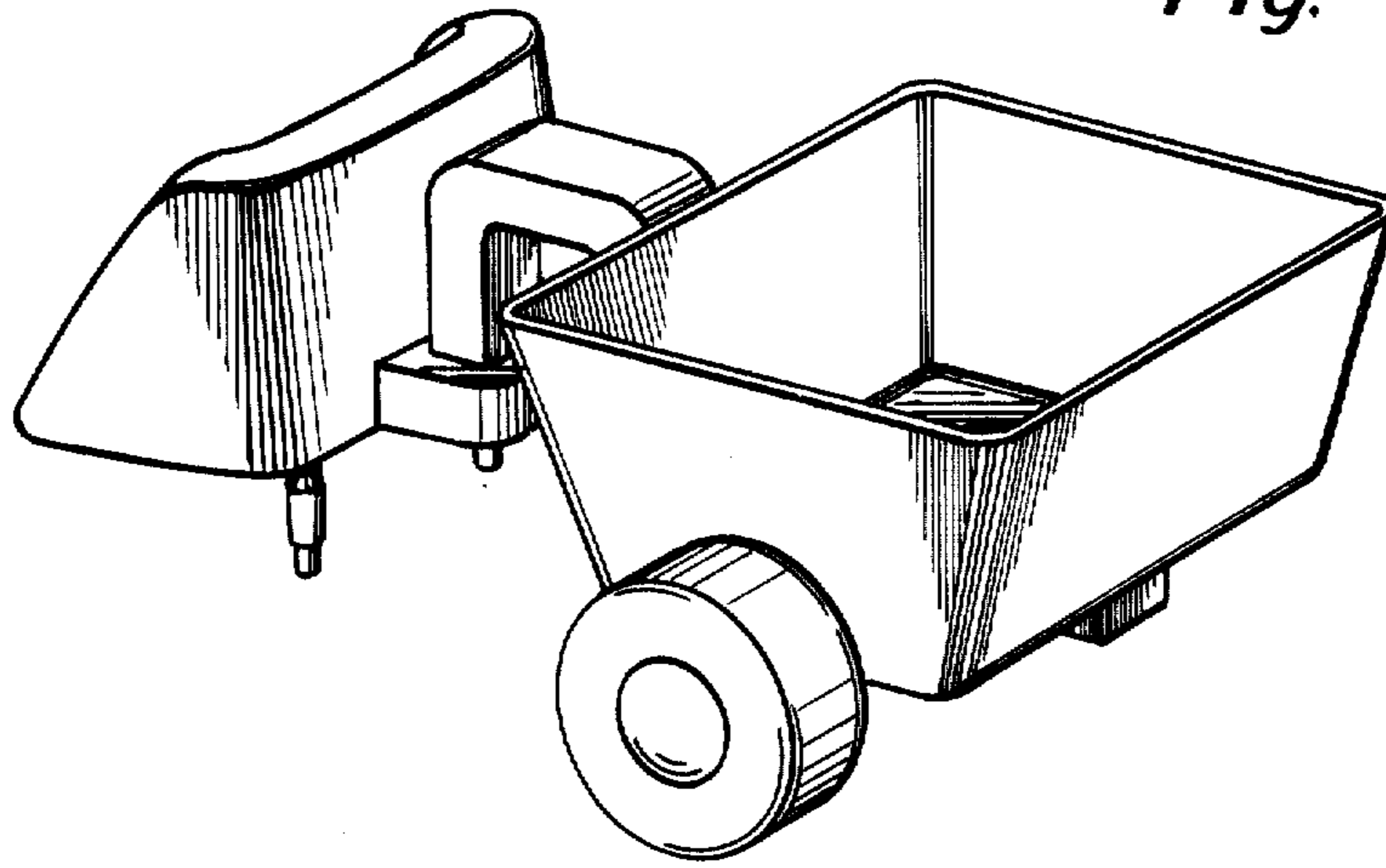


Fig. 5

