

[54] HOUSING FOR AN ELECTROPHORESIS APPARATUS OR SIMILAR ARTICLE

[75] Inventor: Janos Borsos, Budapest, Hungary

[73] Assignee: Labor Műszeripari Művek, Esztergom, Hungary

[**] Term: 14 Years

[21] Appl. No.: 5,997

[22] Filed: Jan. 24, 1979

[30] Foreign Application Priority Data
Nov. 21, 1978 [HU] Hungary 78638

[51] Int. Cl. D10-04; D24-01
[52] U.S. Cl. D10/81; D24/8
[58] Field of Search D10/46, 84, 75, 81;
204/299 R, 301; D24/8, 17, 21

[56] References Cited
U.S. PATENT DOCUMENTS

- D. 225,990 1/1973 Van den Broeck et al. D10/81
- D. 245,965 10/1977 Havstad D10/81
- D. 256,099 7/1980 Schmidt D10/46
- 4,194,963 3/1980 Denckla 204/299 R
- 4,234,400 11/1980 Kaplan et al. 204/299 R X

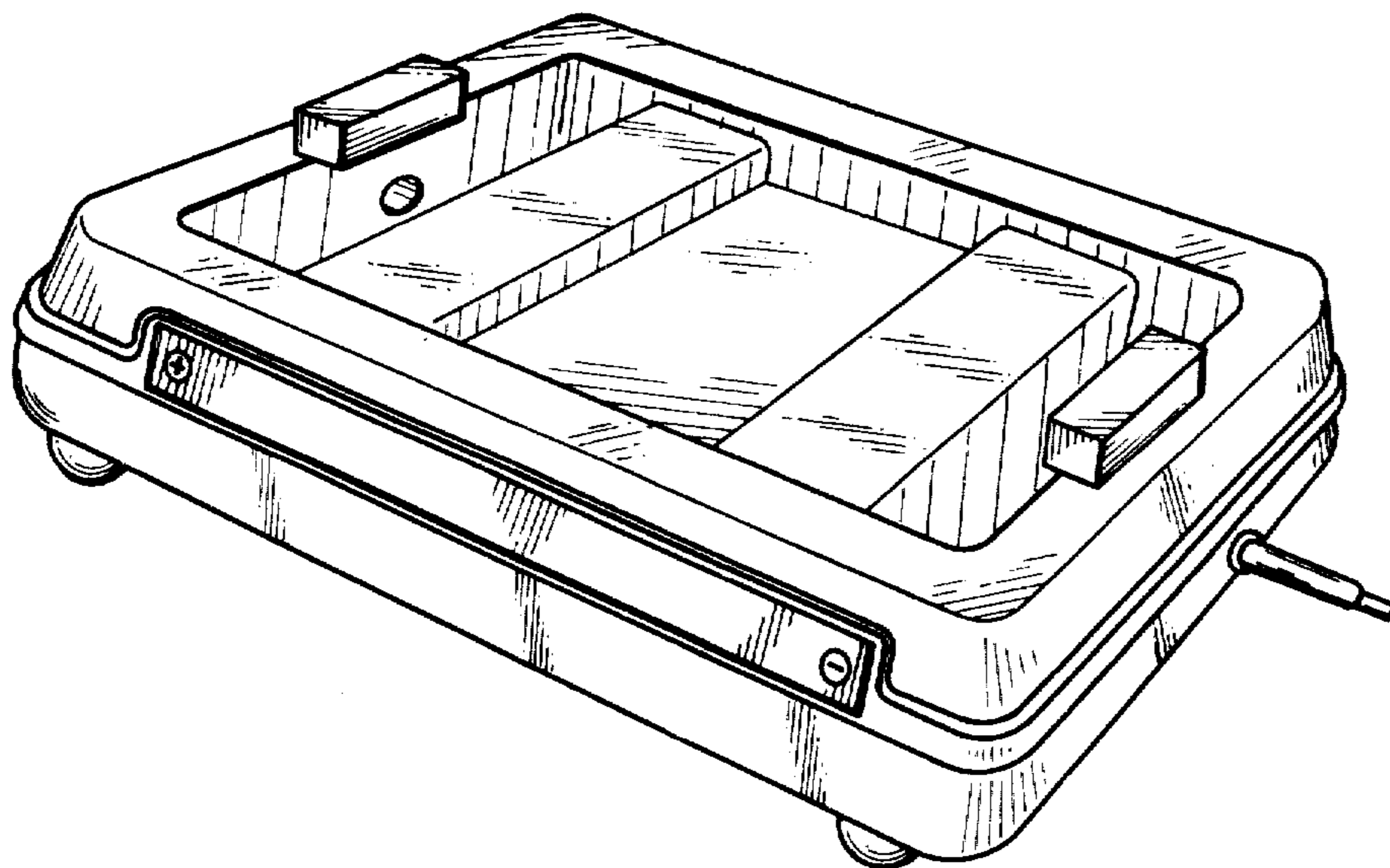
Primary Examiner—Bernard Ansher
Attorney, Agent, or Firm—Gabriel P. Katona

[57] CLAIM

The ornamental design for a housing for an electrophoresis apparatus or similar article, as shown and described.

DESCRIPTION

FIG. 1 is a perspective view of the housing for an electrophoresis apparatus or similar article in a closed position;
FIG. 2 is a front elevational view thereof;
FIG. 3 is the rear elevational view thereof;
FIG. 4 is the right side elevational view thereof; and
FIG. 5 is the left side elevational view thereof.



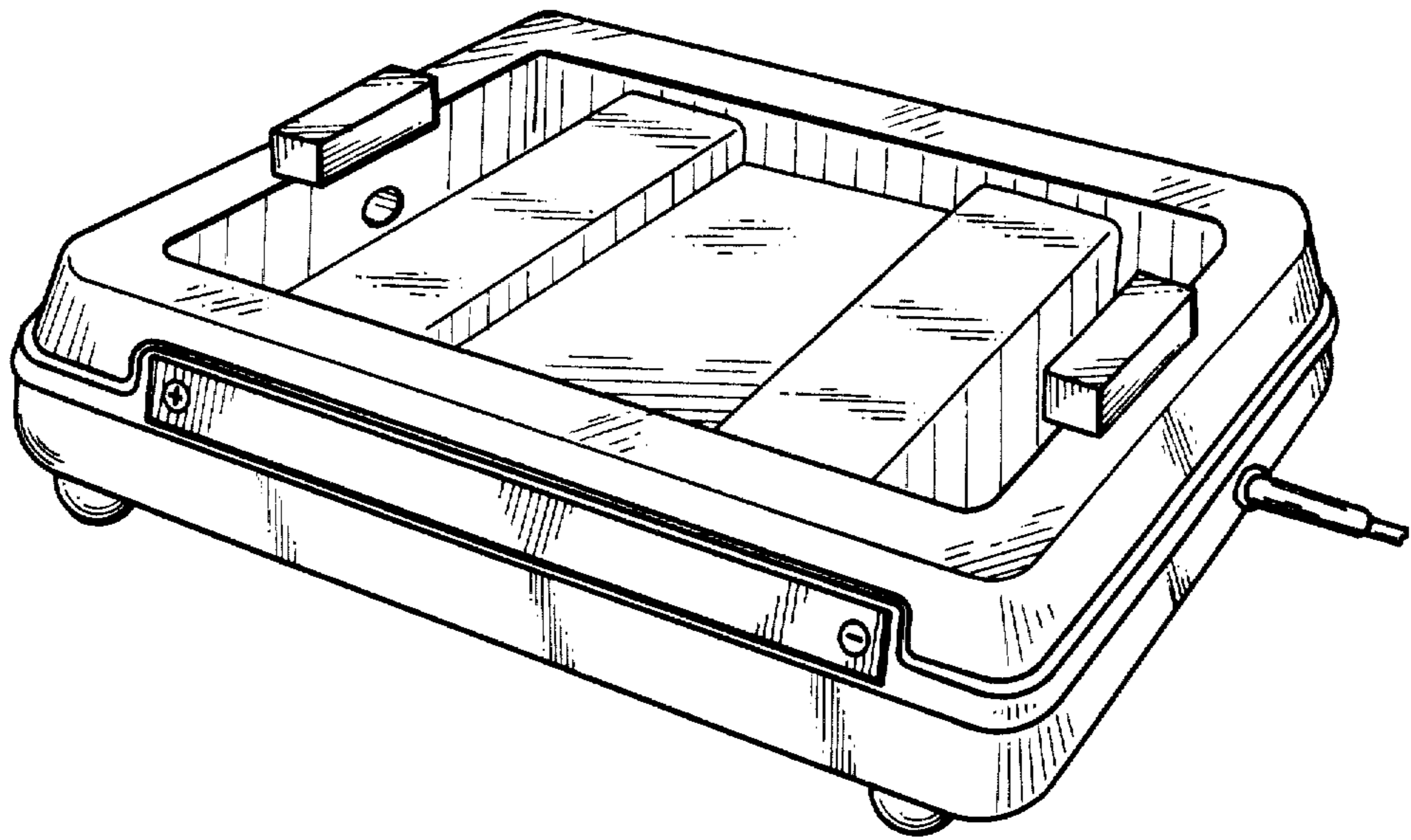


Fig. 1

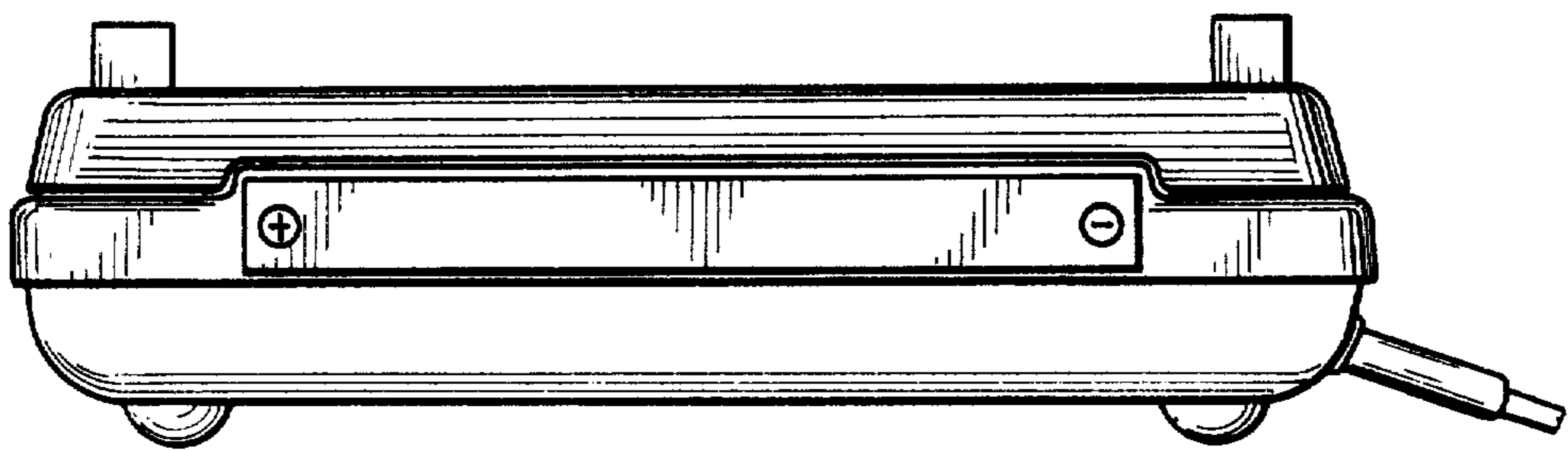


Fig. 2

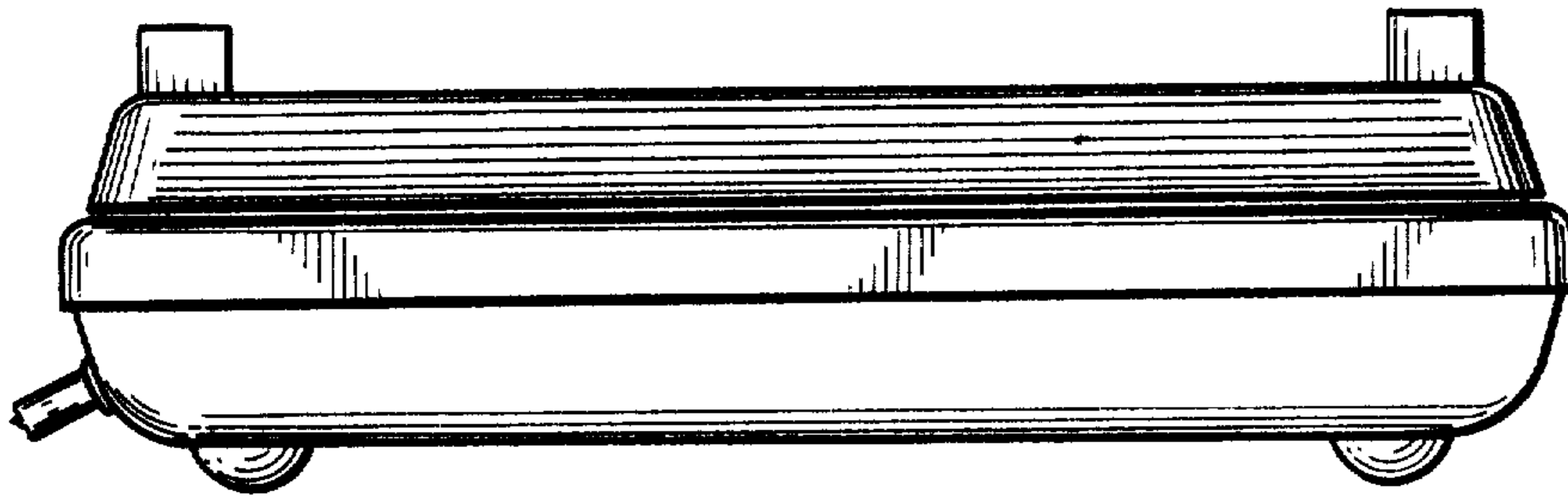


Fig. 3

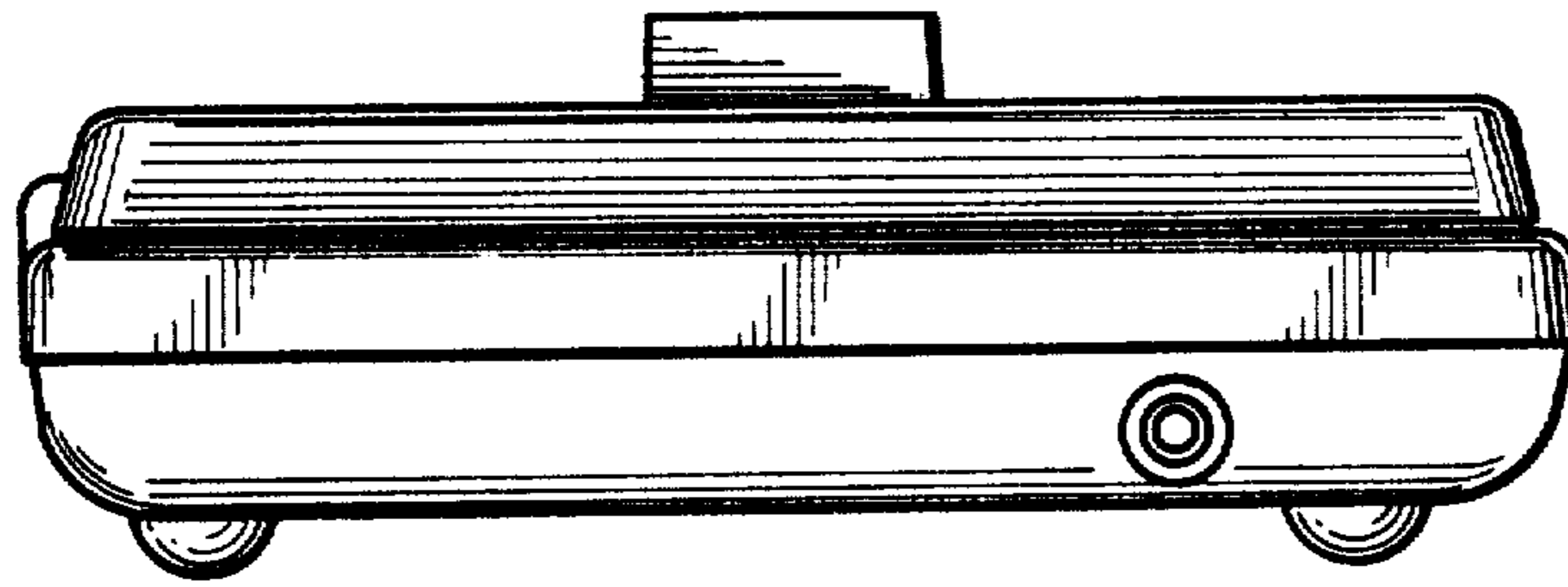


Fig. 4

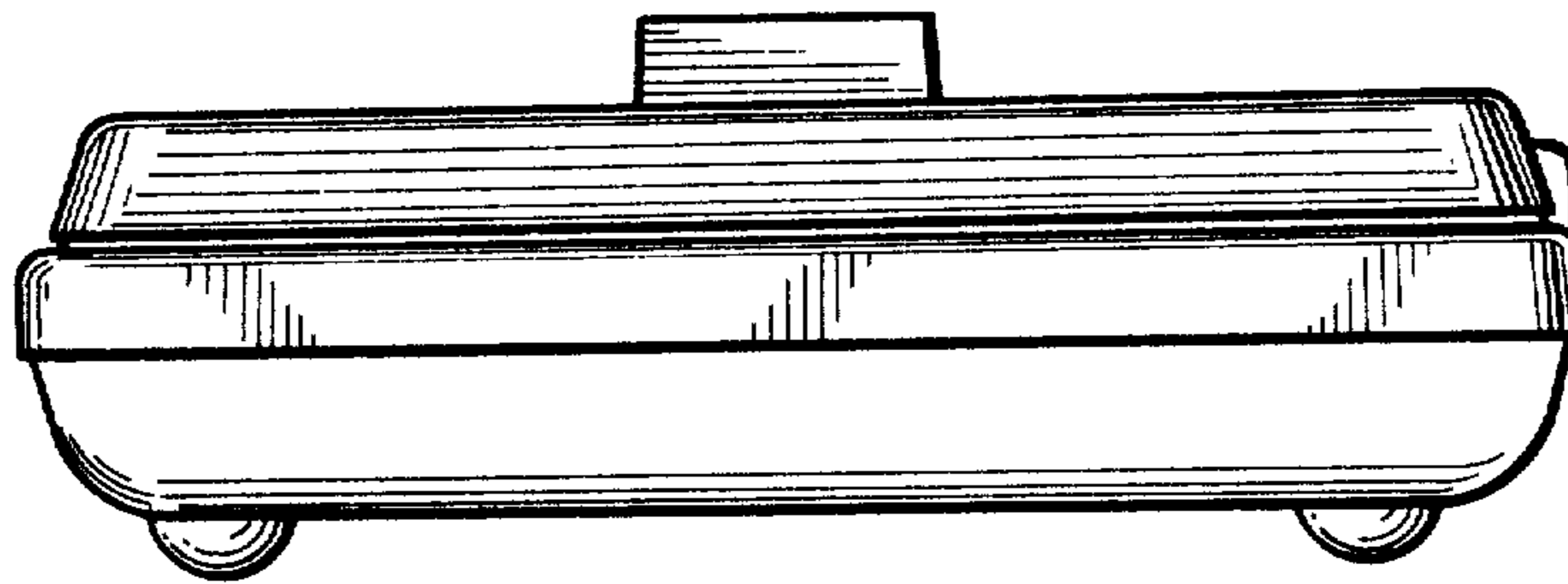


Fig. 5