

[54] DISPENSING CAP FOR A CONTAINER

[75] Inventors: David Charlton, Toronto; David MacMoline, Mississauga, both of Canada

[73] Assignee: Ortho Pharmaceutical (Canada) Ltd., Don Mills, Canada

[**] Term: 14 Years

[21] Appl. No.: 180,208

[22] Filed: Aug. 21, 1980

[51] Int. Cl. D9-07

[52] U.S. Cl. D9/436; D9/447

[58] Field of Search D9/435, 442, 440, 447, D9/449, 338, 436; D28/28, 9, 10, 21, 7; 215/309, 307; 222/478, 479, 566

[56] References Cited

U.S. PATENT DOCUMENTS

D. 139,492	11/1944	Sierad	D9/436
D. 184,445	2/1959	Lerner	D9/436
D. 186,350	10/1959	Lerner et al.	D28/7
D. 193,375	8/1962	Safianoff	D28/7
D. 261,363	10/1981	Sandor	D9/413

Primary Examiner—Robert C. Spangler

[57] CLAIM

The ornamental design for a dispensing cap for a container, substantially as shown and described.

DESCRIPTION

FIG. 1 is a top plan view of a dispensing cap for a container showing our new design; FIG. 2 is a side view thereof; FIG. 3 is a bottom plan view thereof; and FIG. 4 is an end view thereof.

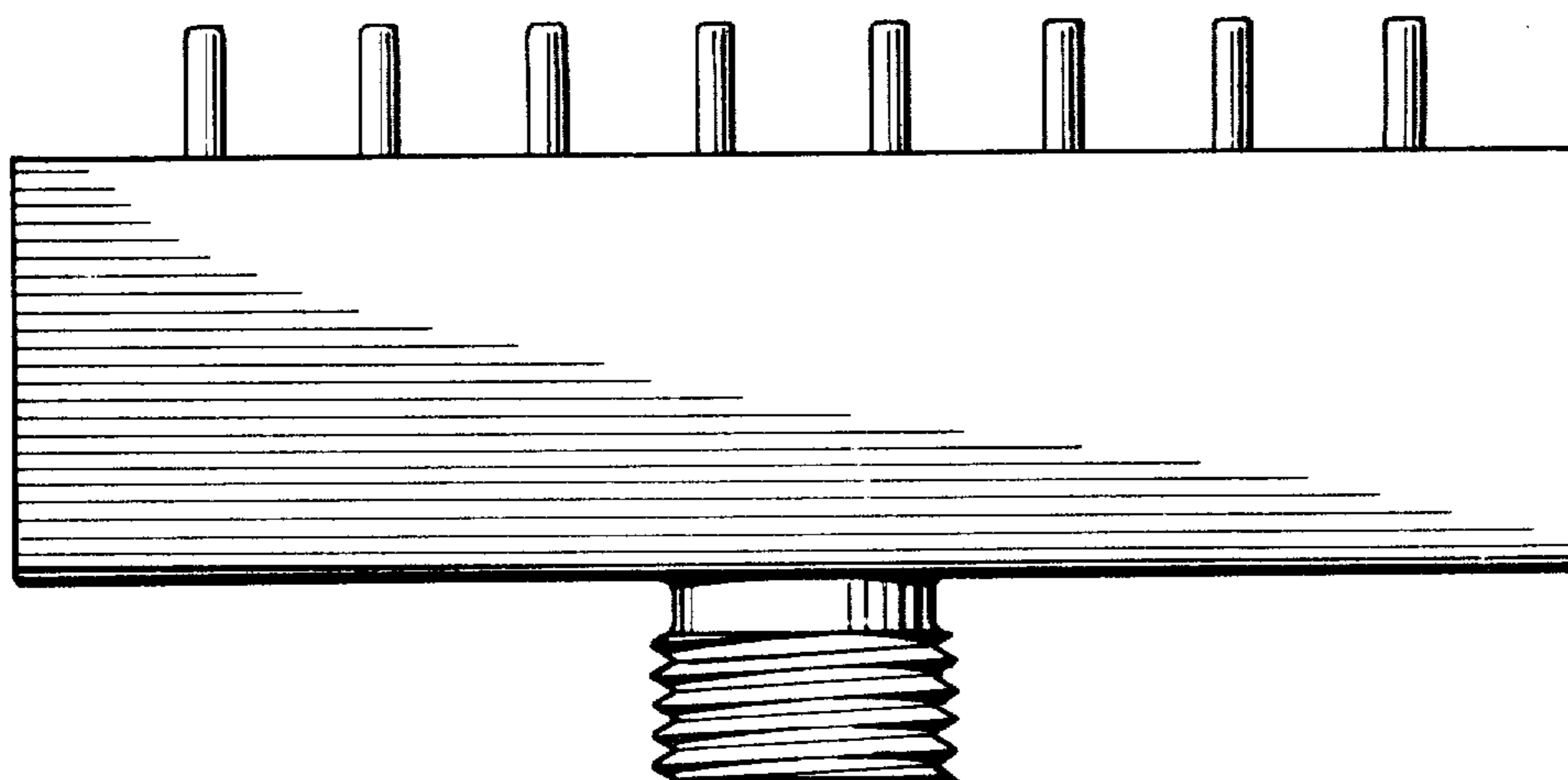


Fig. 1.

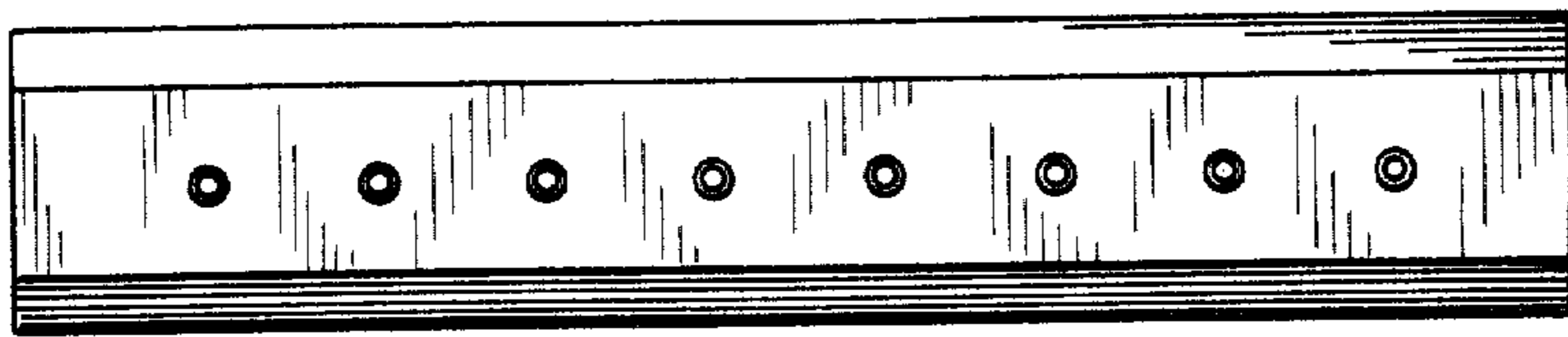


Fig. 2.

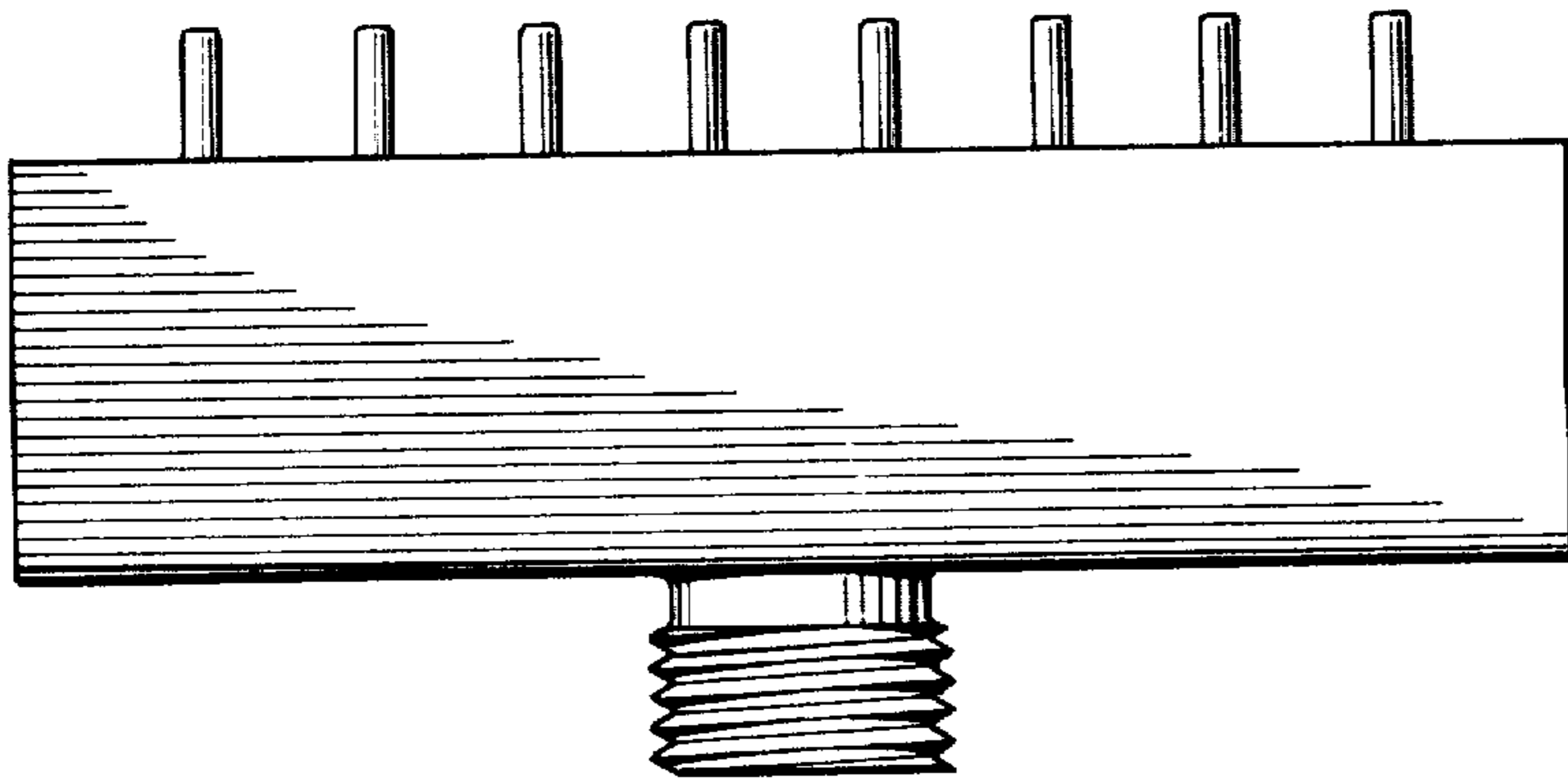


Fig. 4.

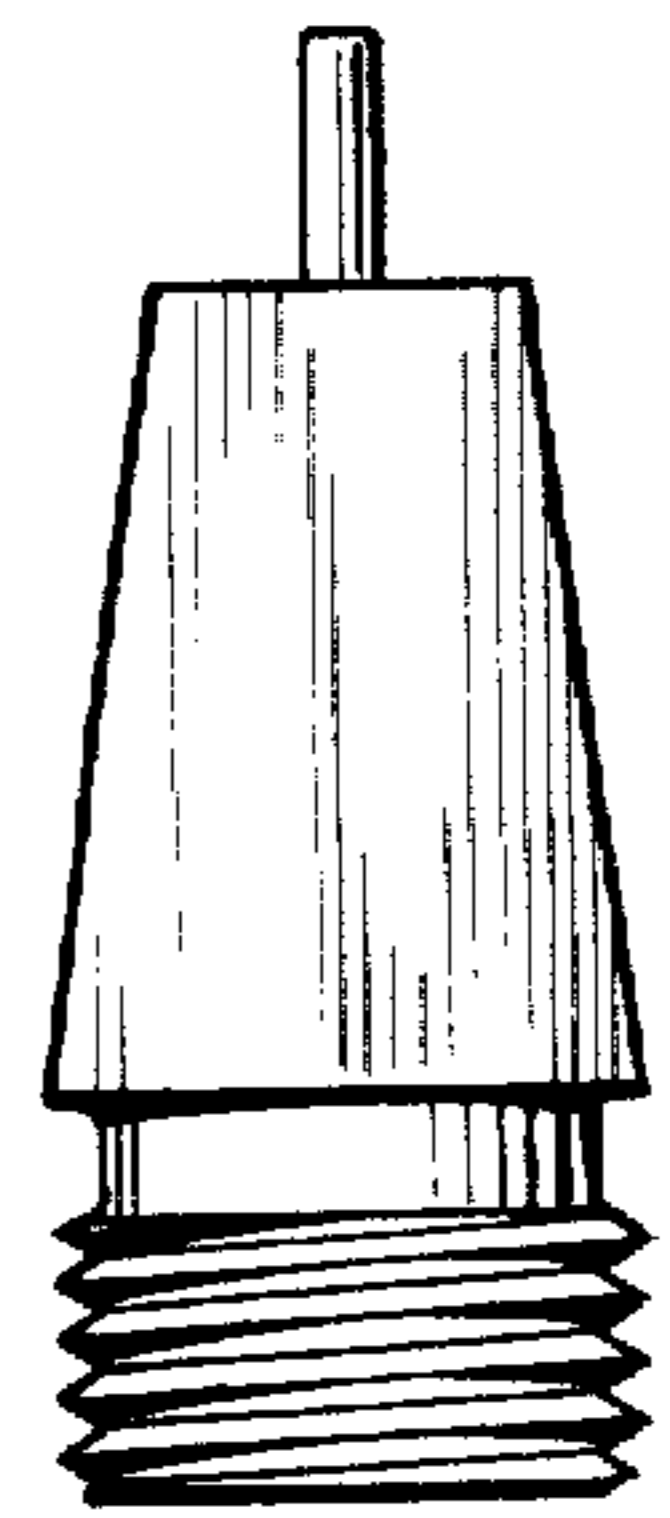


Fig. 3.

