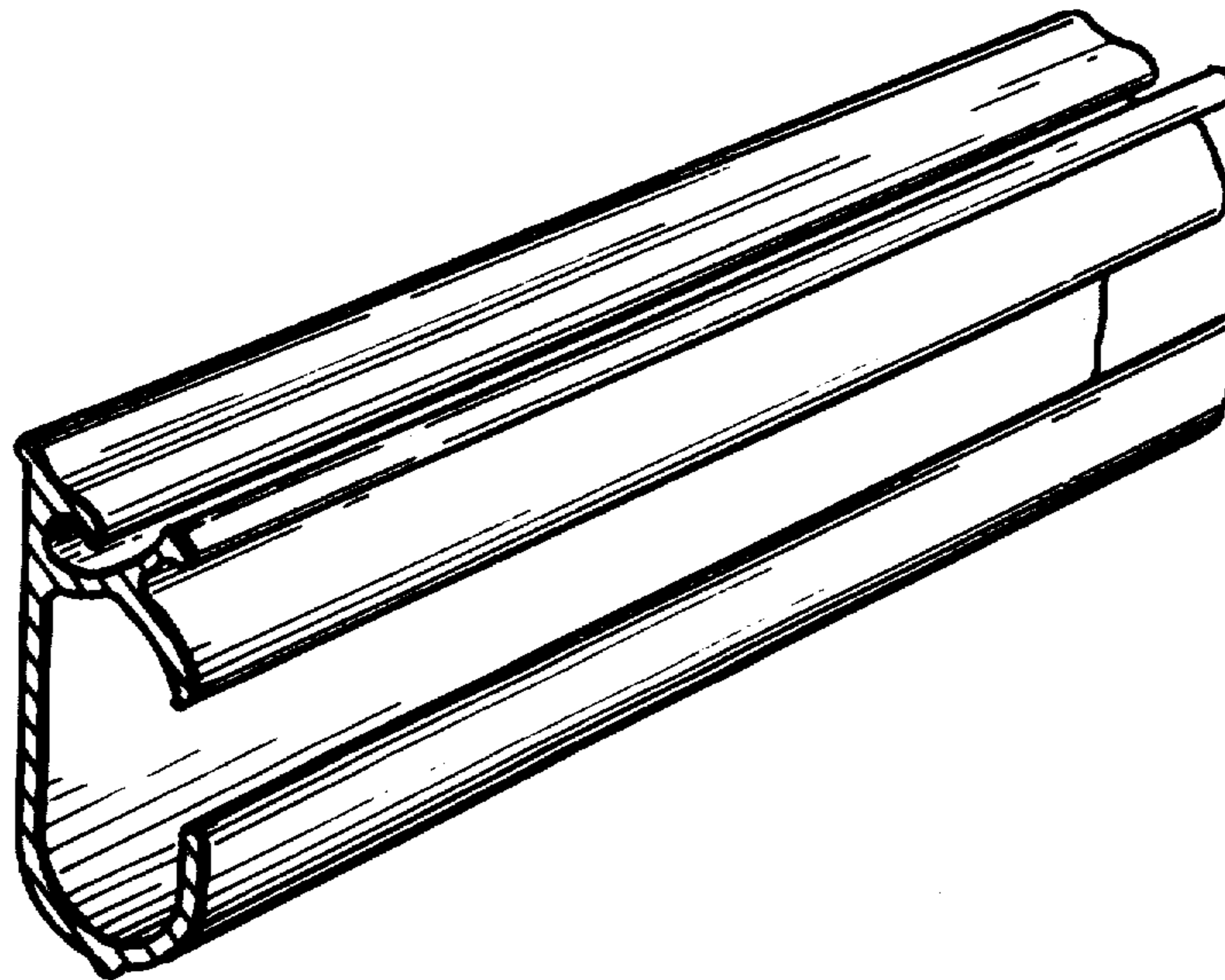


- [54] **CURTAIN TRACK SECTION**
- [75] **Inventor:** Ivan A. Smith, Cheltenham, Australia
- [73] **Assignee:** Village Nominees Pty. Ltd., Australia
- [**] **Term:** 14 Years
- [21] **Appl. No.:** 171,154
- [22] **Filed:** Jul. 22, 1980
- [30] **Foreign Application Priority Data**
Feb. 7, 1980 [AU] Australia 80,204
- [51] **Int. Cl.** D8—08
- [52] **U.S. Cl.** D8/377
- [58] **Field of Search** D8/377, 376, 363;
D25/77, 78; 160/38, 19, 349 R, 349 D;
248/262, 265, 251; 16/94 R, 94 D, 95 R, 96 R

- [56] **References Cited**
U.S. PATENT DOCUMENTS
D. 199,187 9/1964 Ford D8/377
3,134,132 5/1964 Graber 248/262 X
Primary Examiner—A. Hugo Word
Attorney, Agent, or Firm—Klarquist, Sparkman,
Campbell, Leigh, Whinston & Dellett

[57] **CLAIM**
The ornamental design for a curtain track section, as shown.

DESCRIPTION
FIG. 1 is a perspective view from one side and above;
FIG. 2 is a perspective view from the other side and beneath;
FIG. 3 is a cross section.



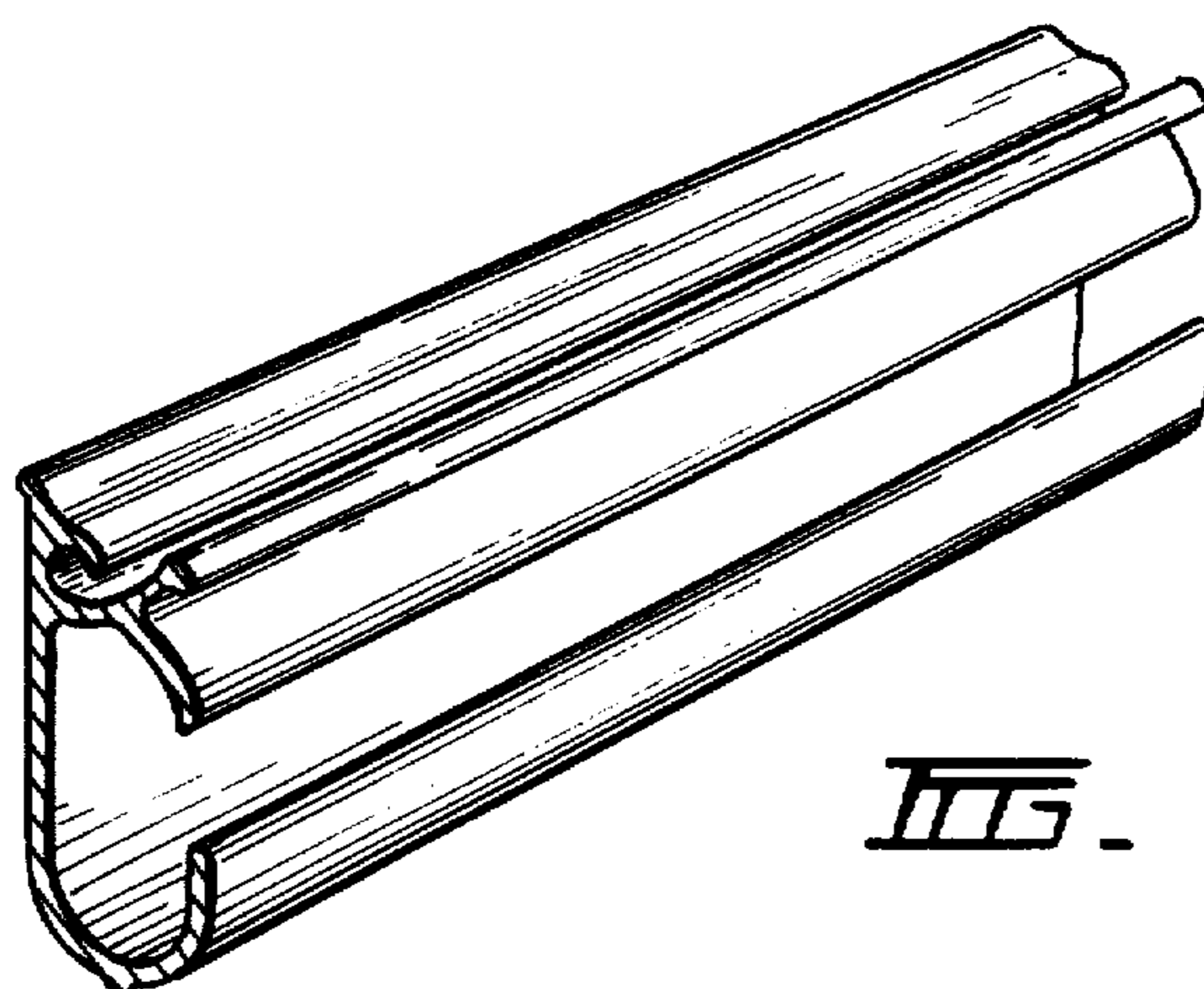


FIG. 1.

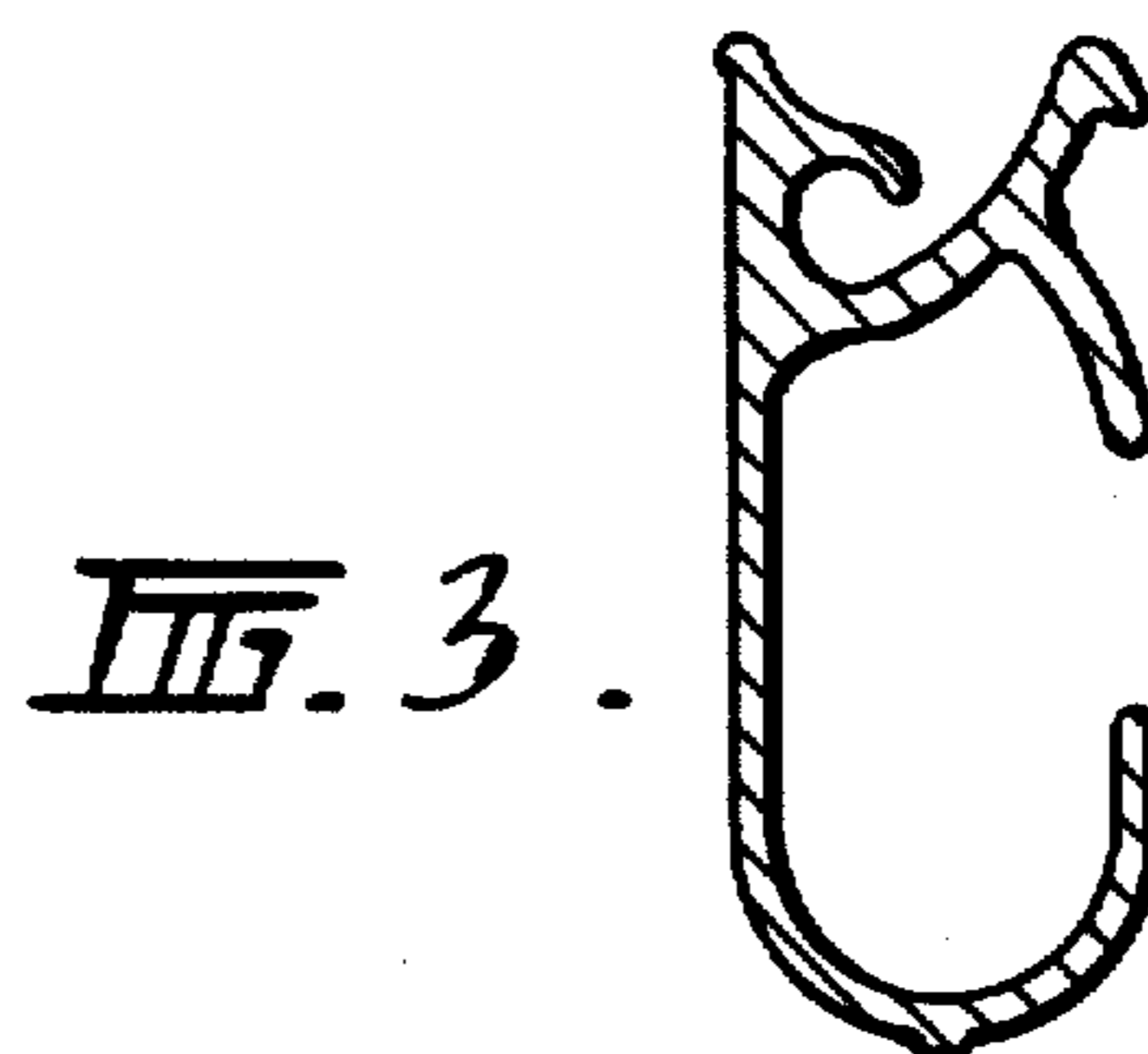


FIG. 3.

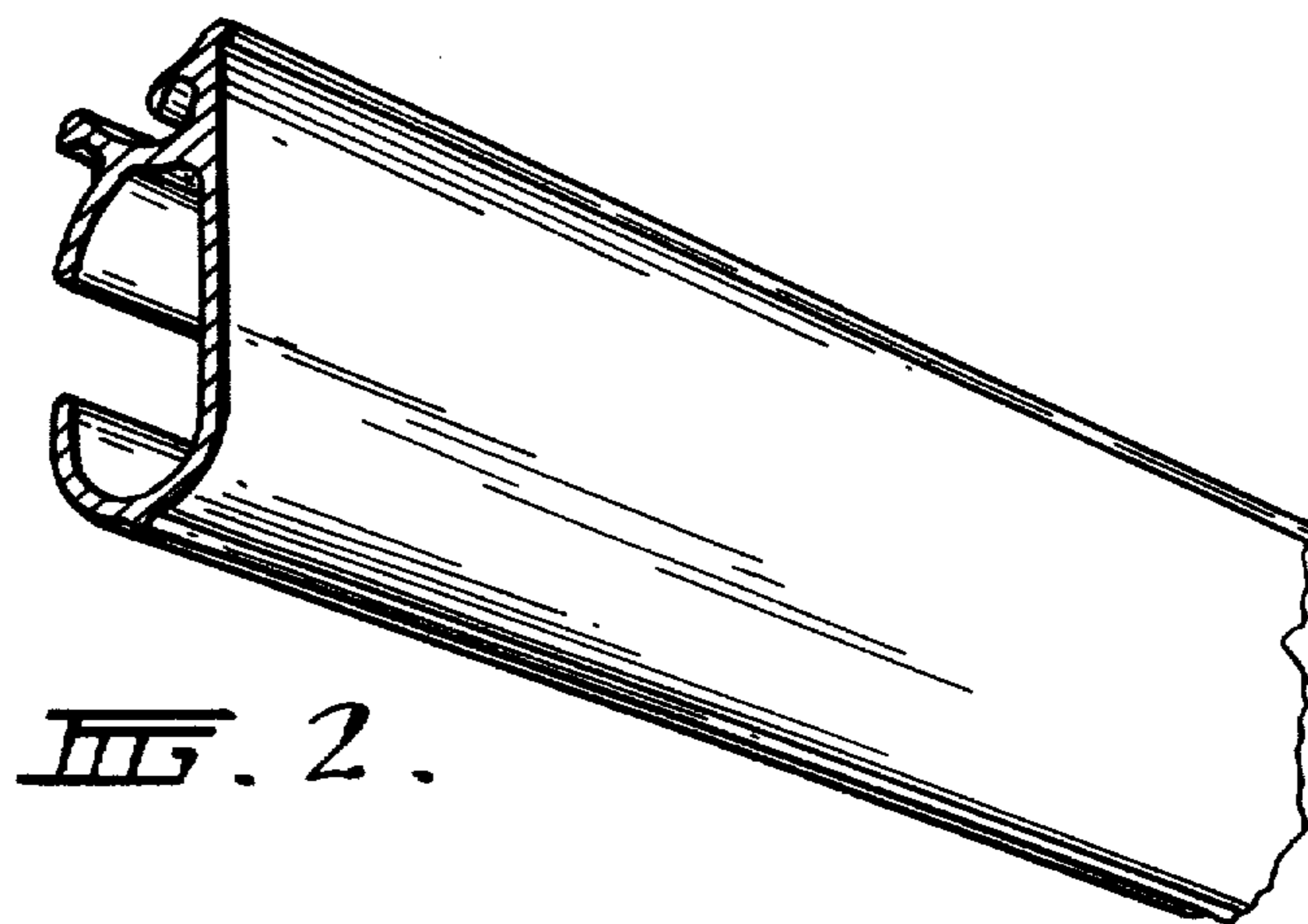


FIG. 2.