

[54] KNIFE RACK

[75] Inventors: Lawrence Peabody, New York; Theodore W. Schriever, Syracuse; Stephen K. Wenczl, Fayetteville, all of N.Y.

[73] Assignee: Syroco, Inc., Syracuse, N.Y.

[**] Term: 14 Years

[21] Appl. No.: 169,062

[22] Filed: Jul. 15, 1980

[51] Int. Cl. D7-07

[52] U.S. Cl. D7/74; D6/118; D6/125

[58] Field of Search D7/73, 74; D6/85, 157, D6/186, 122, 114, 120, 125, 118; 211/60 T; 248/37.3, 37.6

[56] References Cited

U.S. PATENT DOCUMENTS

- D. 141,898 7/1945 Glukes D7/74
- D. 157,546 2/1950 Trabert D6/118
- D. 171,222 12/1953 Odum et al. D6/125

- D. 241,392 9/1976 Taylor D6/118
- 1,937,424 11/1933 Champlin 211/60 T
- 2,291,381 7/1942 Drake 248/37.6
- 2,495,866 1/1950 Perry et al. D7/74 X
- 2,754,008 7/1956 Culver D7/74 X
- 4,294,421 10/1981 Künstlicher et al. 211/60 T X

FOREIGN PATENT DOCUMENTS

- 1260727 2/1968 Fed. Rep. of Germany 248/37.3

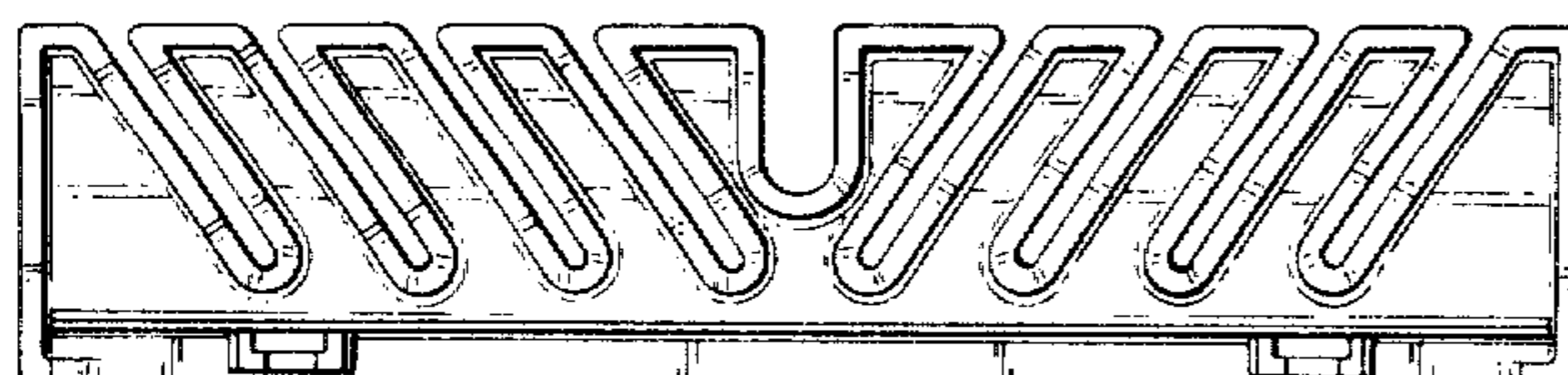
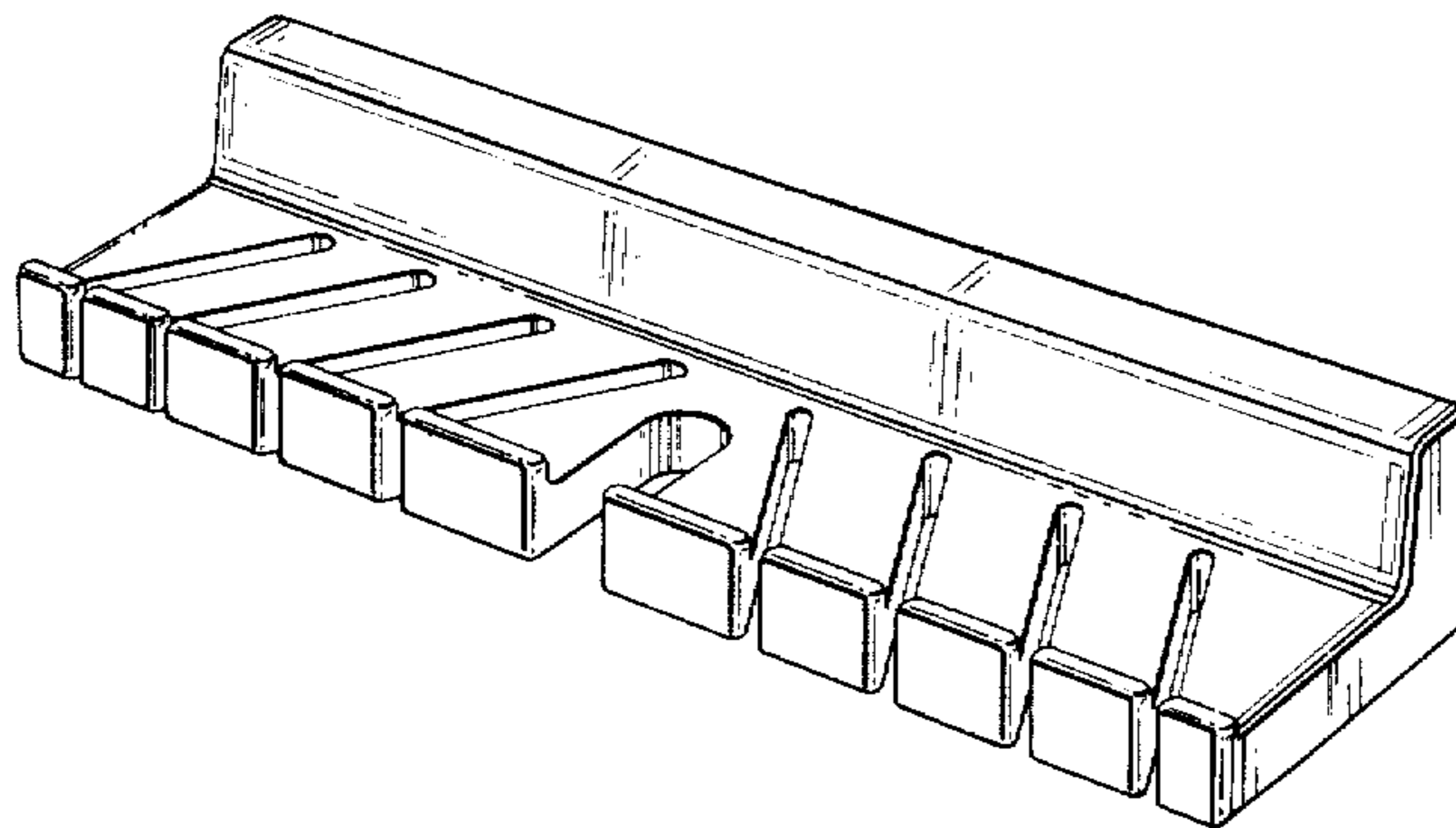
Primary Examiner—Winifred E. Herrmann
Attorney, Agent, or Firm—Stanley R. Moore; Thomas L. Crisman

[57] CLAIM

The ornamental design for a knife rack, substantially as shown.

DESCRIPTION

FIG. 1 is a perspective view of a knife rack showing our new design;
FIG. 2 is a side elevational view;
FIG. 3 is a top plan view;
FIG. 4 is a front elevational view;
FIG. 5 is a bottom plan view; and,
FIG. 6 is a back elevational view.



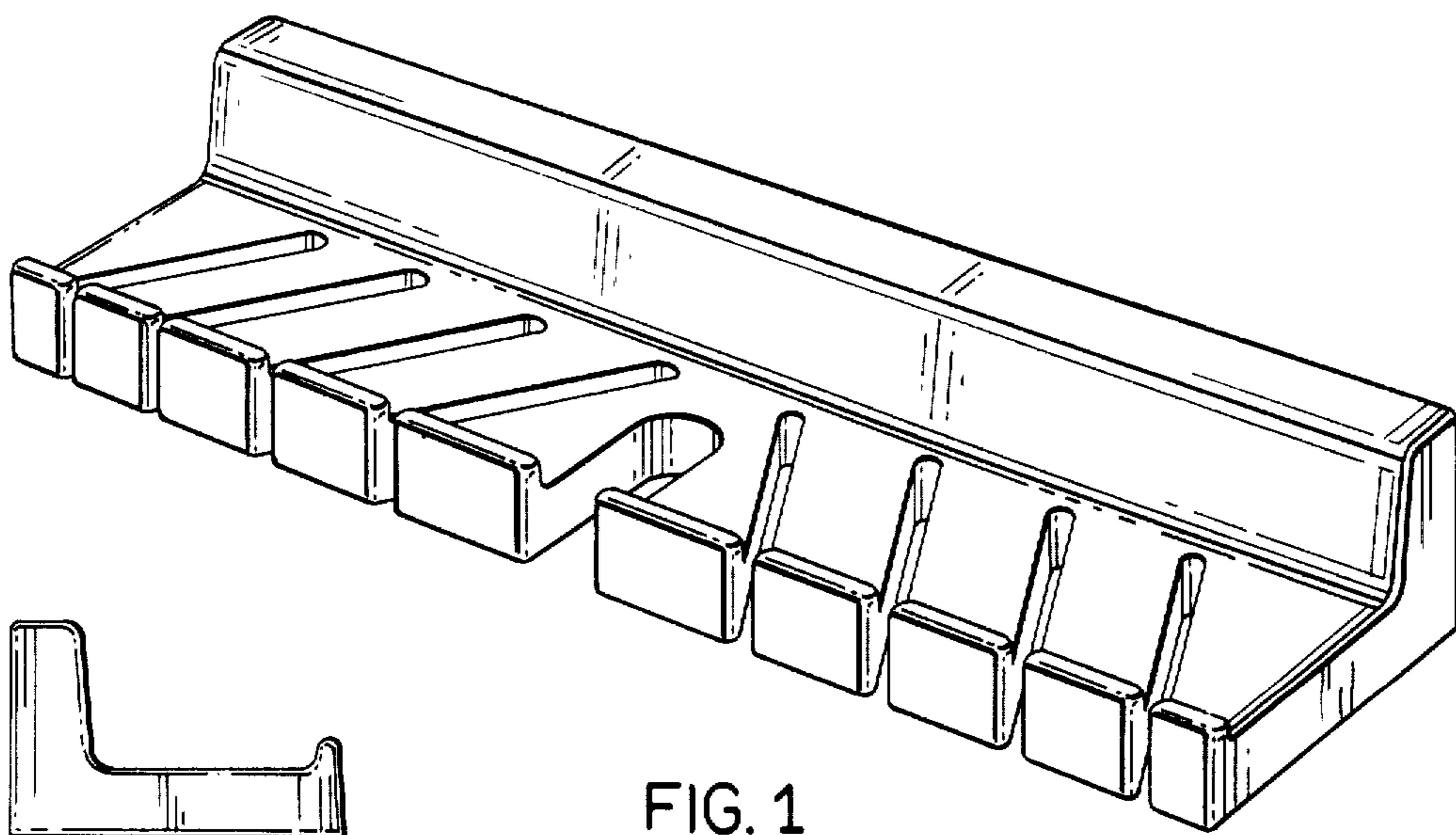


FIG. 1

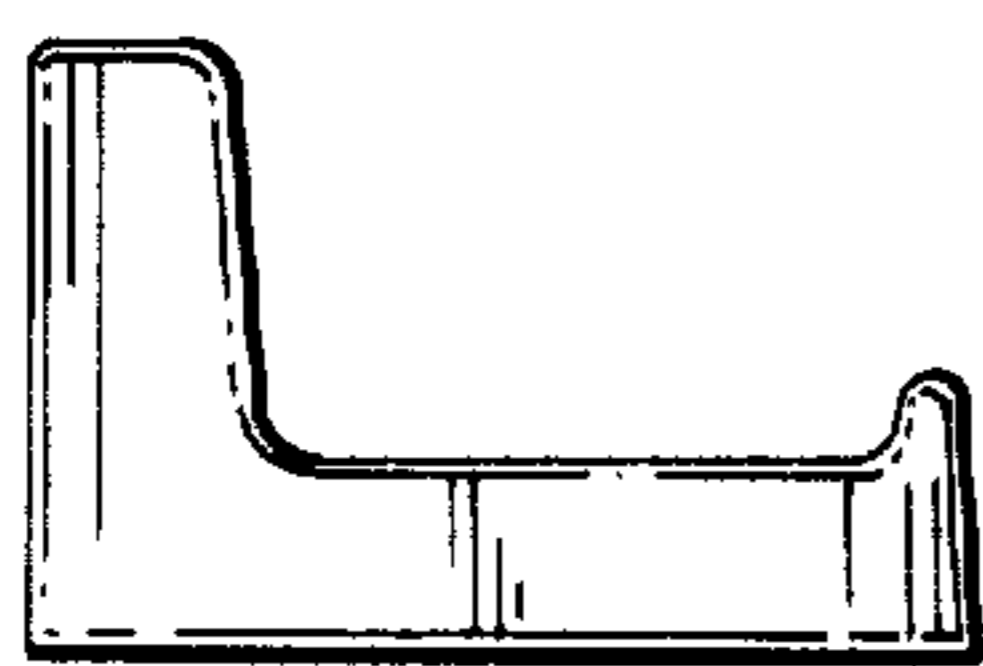


FIG. 2

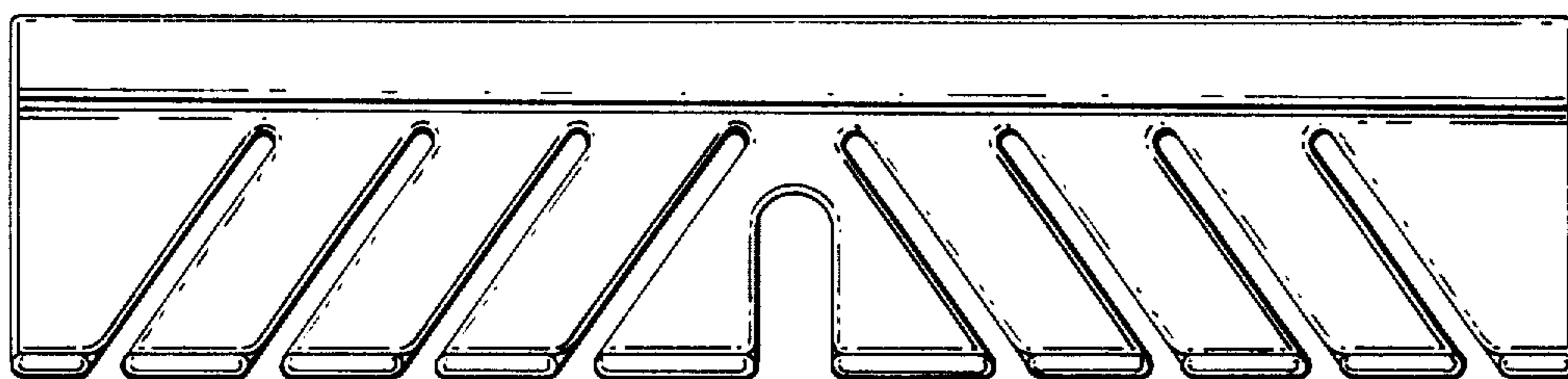


FIG. 3

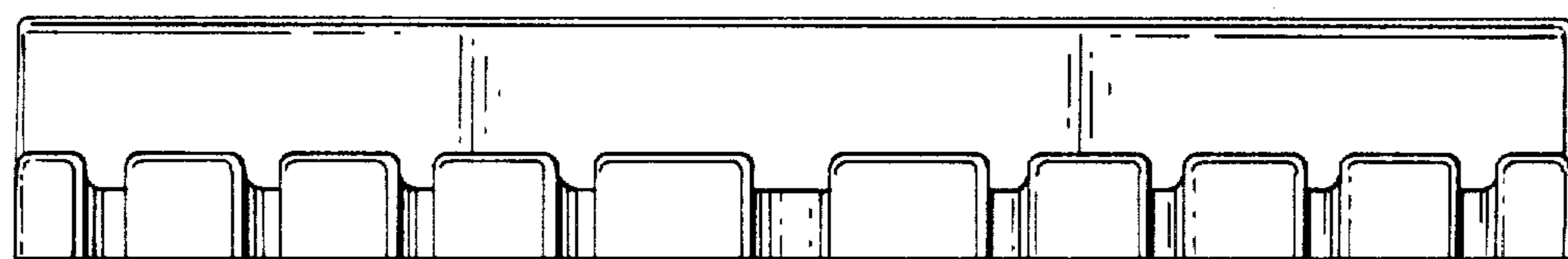


FIG. 4

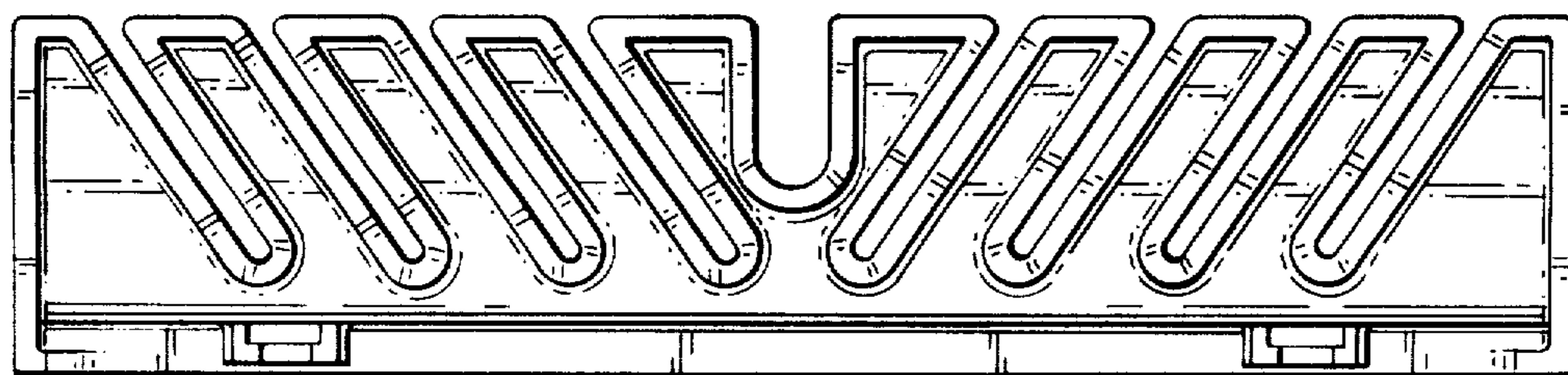


FIG. 5

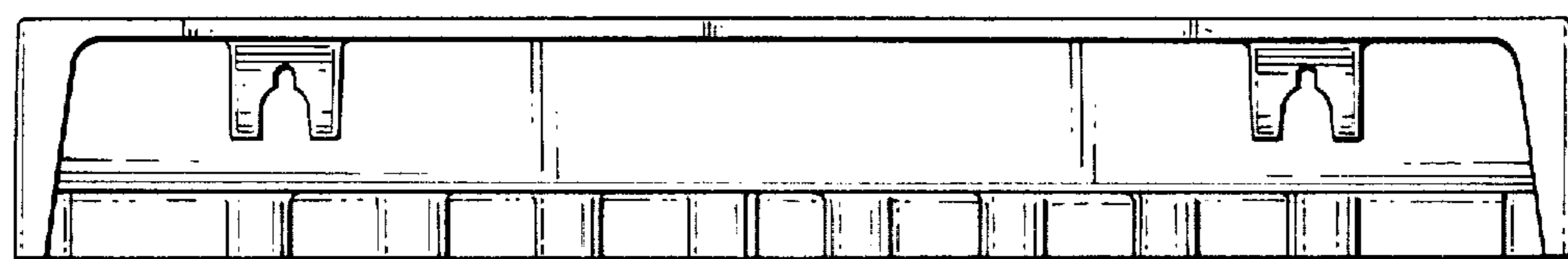


FIG. 6