

[54] PICTURE DISPLAY FRAME

[76] Inventor: Donald B. Smith, R.R. No. 1, Mount Brydges, Ontario, Canada, N0L 1W0

[\*\*] Term: 14 Years

[21] Appl. No.: 267,996

[22] Filed: May 28, 1981

Related U.S. Application Data

[62] Division of Ser. No. 44,844, Jun. 4, 1979, Pat. No. 261,585.

[51] Int. Cl. .... D6-07  
[52] U.S. Cl. .... D6/234; D6/235  
[58] Field of Search .... D6/232-246;  
D28/71, 61-68; 428/14; 40/152, 152.1, 152.2,  
155, 160

[56] References Cited

U.S. PATENT DOCUMENTS

D. 61,126	6/1922	Urbanek .....	D6/234
D. 96,743	9/1935	Golden .....	D6/241
D. 140,181	1/1945	McGonigal .....	D6/233
1,342,248	6/1920	Bloomquist .....	D6/238
4,194,313	3/1980	Downing .....	40/155

Primary Examiner—Charles A. Rademaker  
Attorney, Agent, or Firm—Weldon F. Green

[57] CLAIM

The ornamental design for a picture display frame, as shown and described.

DESCRIPTION

FIG. 1 is a front perspective view of a picture display frame showing my new design.  
FIG. 2 is a bottom perspective view thereof.  
FIG. 3 is a front elevational view thereof.  
FIG. 4 is a right side elevational view thereof, the side opposite being a mirror image.

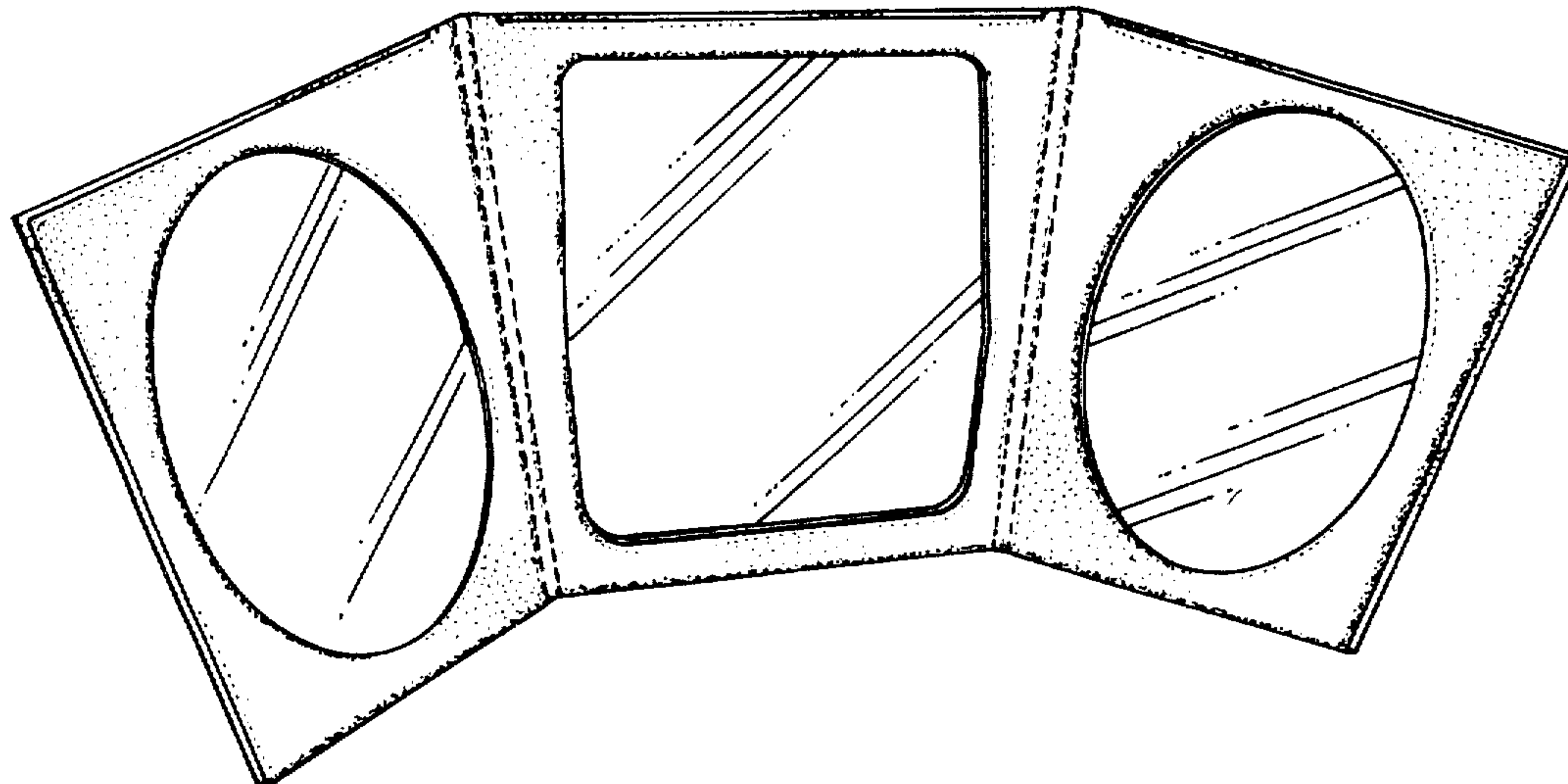


FIG. 1

