

[54] CORNER SPLASH RAIL FOR COUNTERTOP

[76] Inventor: Basil T. Kelley, 6139 SE. 103rd,  
Portland, Oreg. 97266

[\*\*] Term: 14 Years

[21] Appl. No.: 180,165

[22] Filed: Aug. 21, 1980

[51] Int. Cl. .... D6-06

[52] U.S. Cl. .... D6/191; D23/69

[58] Field of Search ..... D6/164, 167, 191, 192;  
D23/69, 62; 4/166, 167, 187 R, 189, 190

[56] References Cited

U.S. PATENT DOCUMENTS

D. 175,672	9/1955	Crook	.....	D6/192
D. 196,519	10/1963	Rojahn	.....	D6/192
D. 235,044	5/1975	Donner	.....	D6/192
D. 235,955	7/1975	Shelley, Jr.	.....	D6/191
D. 239,237	3/1976	Vihma	.....	D6/192 X
D. 259,656	6/1981	Alfrink et al.	.....	D23/69

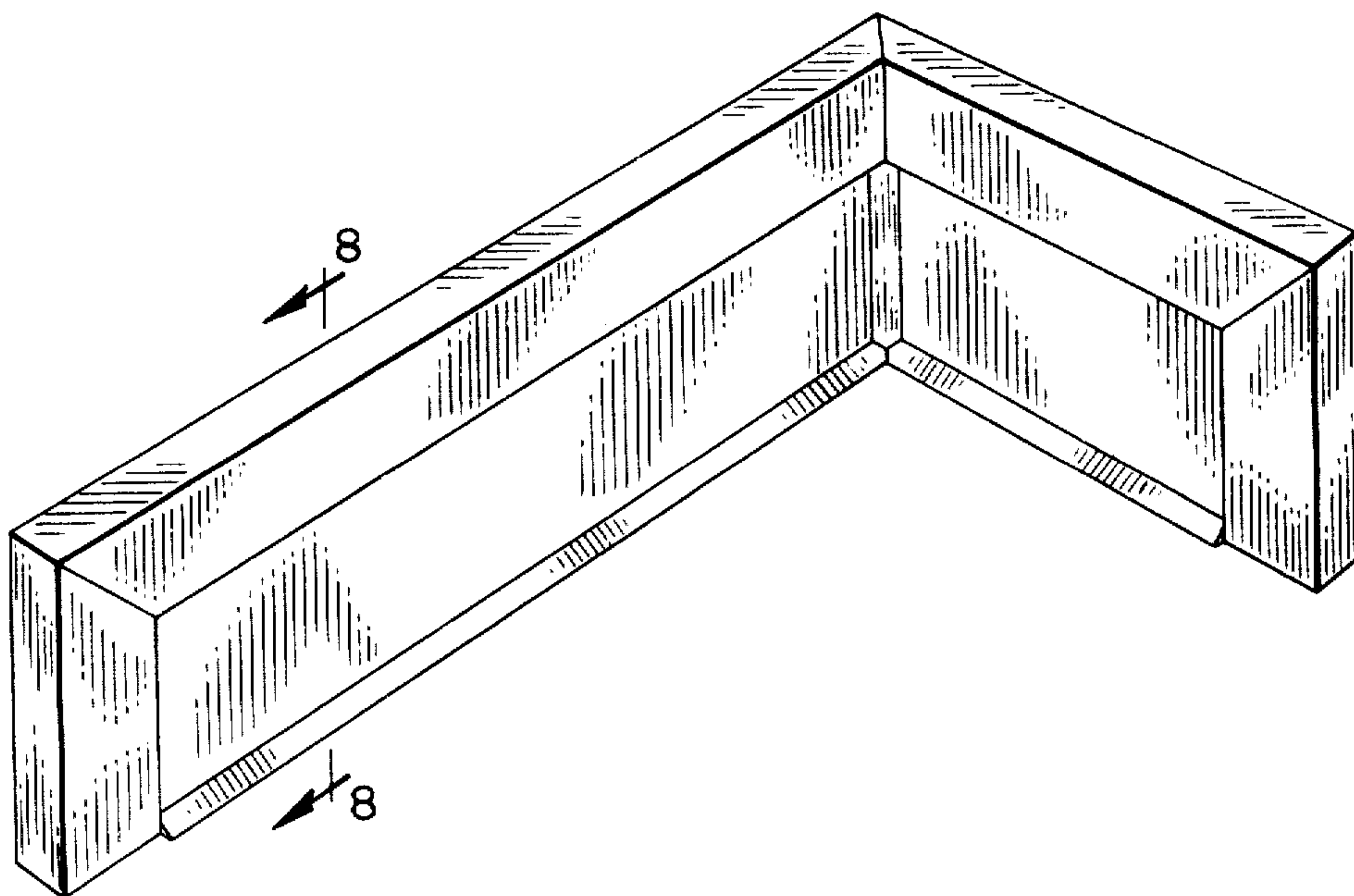
Primary Examiner—Bruce W. Dunkins  
Attorney, Agent, or Firm—Chernoff & Vilhauer

[57] CLAIM

The ornamental design for a corner splash rail for countertop, as shown.

DESCRIPTION

FIG. 1 is a perspective view of a corner splash rail for countertop embodying the features of my new design; FIG. 2 is a plan view thereof, at a reduced scale; FIG. 3 is a front elevational view thereof, at a reduced scale; FIG. 4 is a first end elevational view thereof, at a reduced scale; FIG. 5 is a second end elevational view thereof, at a reduced scale; FIG. 6 is a bottom view thereof, at a reduced scale; FIG. 7 is a rear view thereof, at a reduced scale; and FIG. 8 is a cross-sectional view thereof, at an enlarged scale, taken along the line 8—8 of FIG. 1.



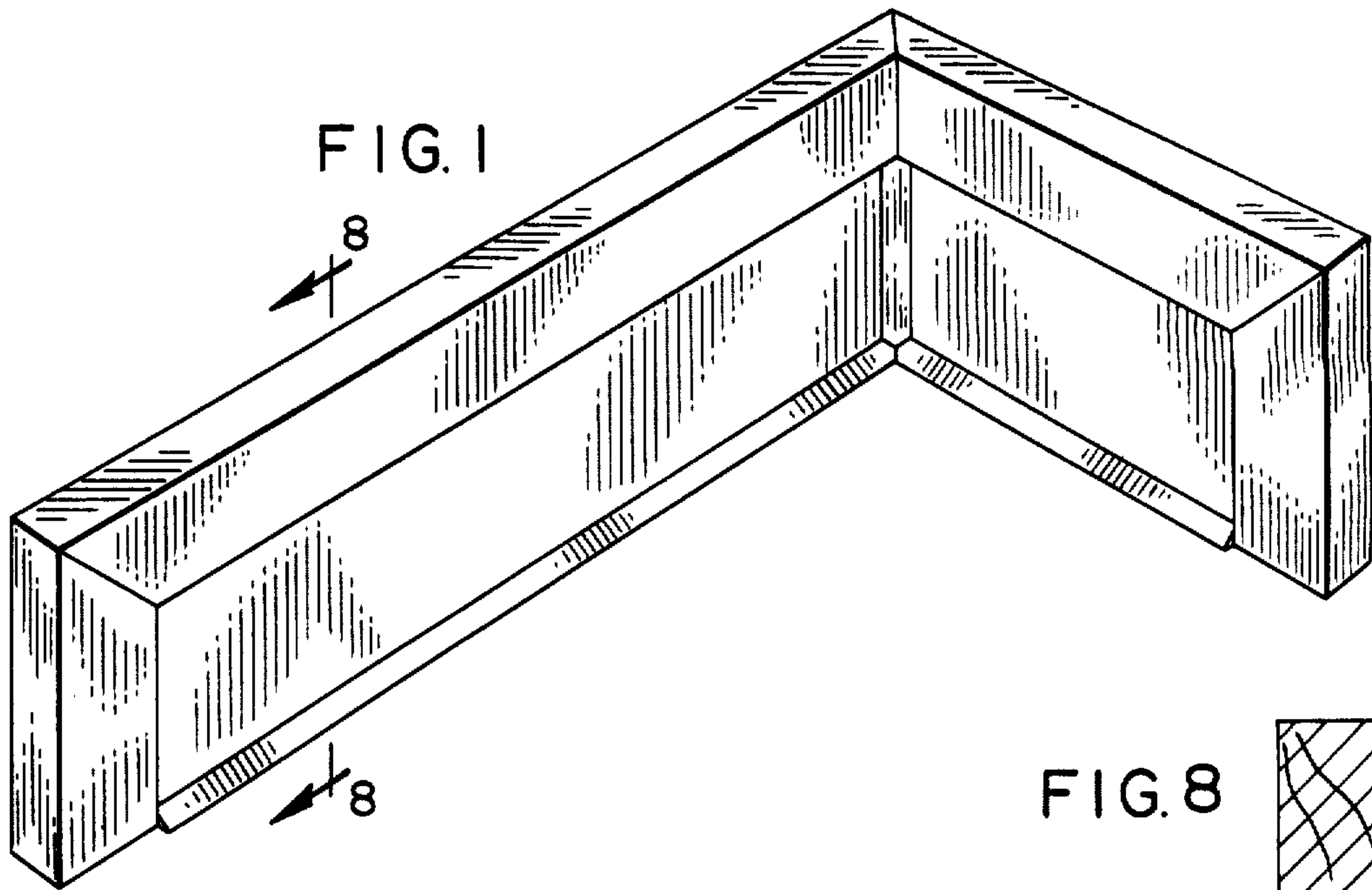


FIG. 8

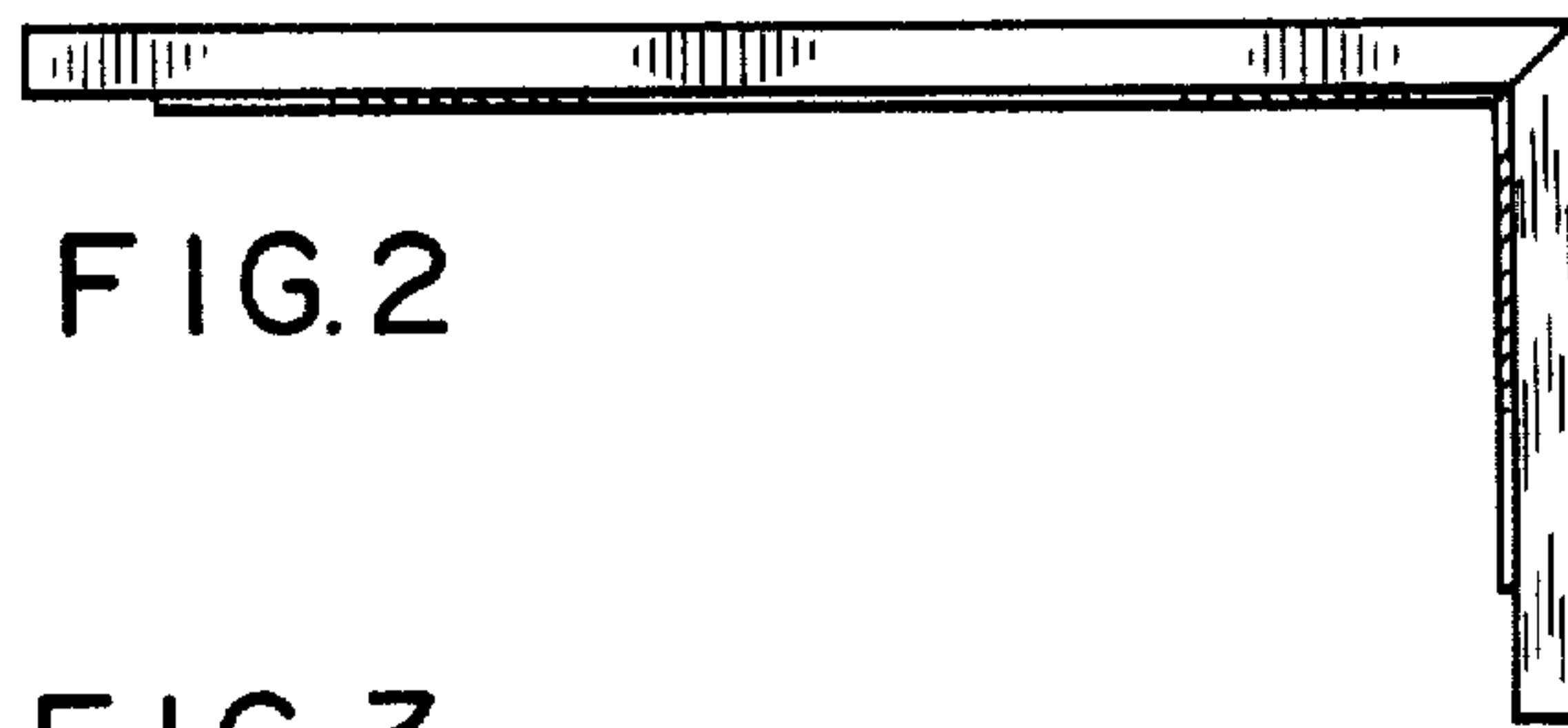
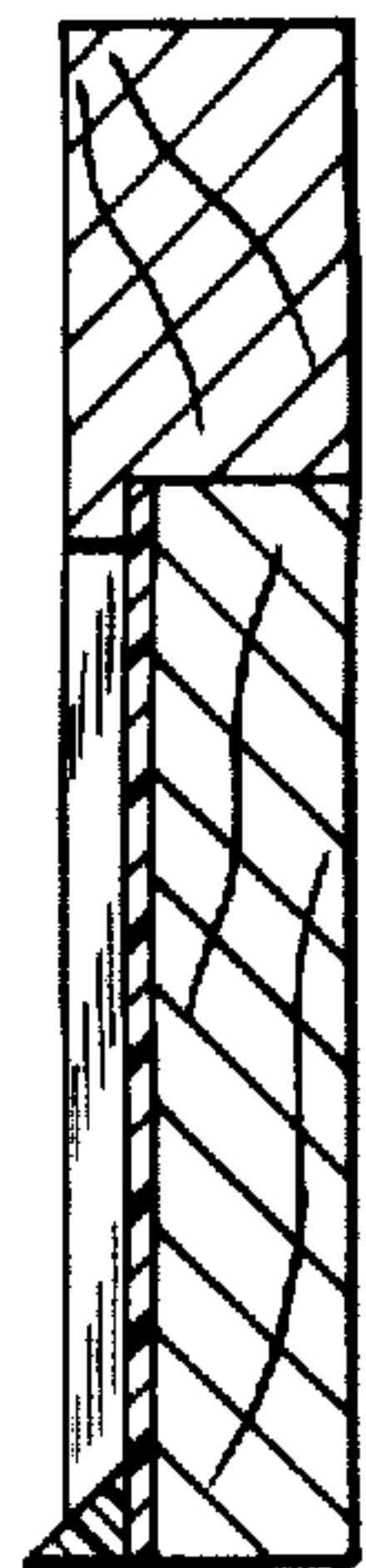


FIG. 3

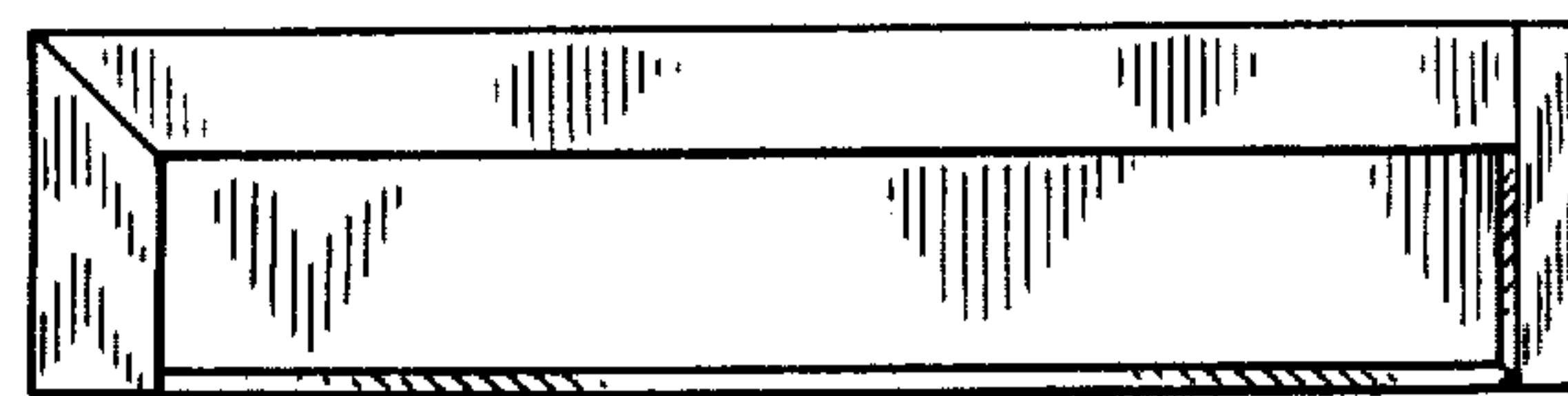


FIG. 4

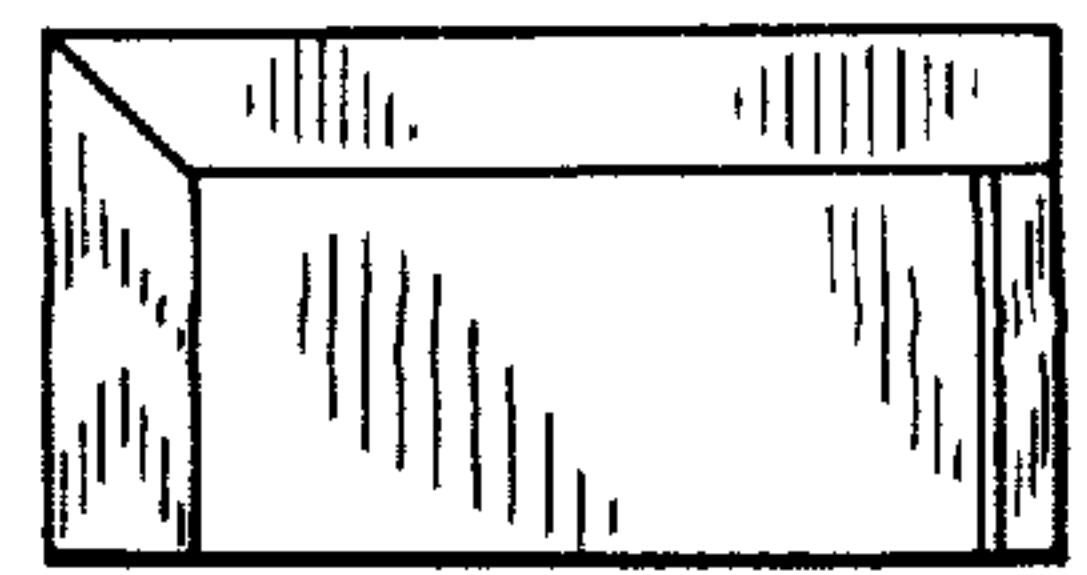


FIG. 6

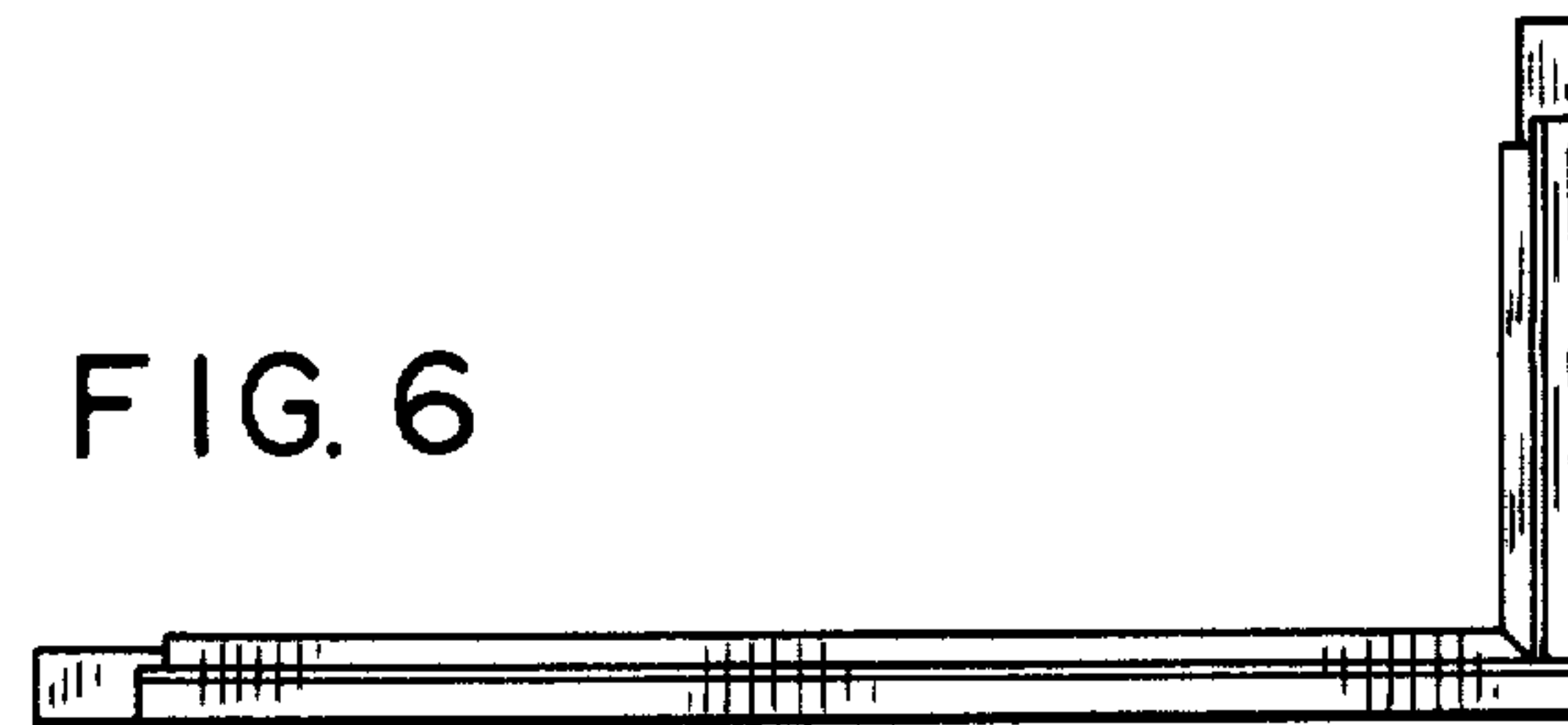


FIG. 7

