

[54] **SPLASH RAIL FOR COUNTERTOP**

[76] Inventor: **Basil T. Kelley**, 6139 SE. 103rd,
Portland, Oreg. 97266

[**] Term: **14 Years**

[21] Appl. No.: **180,096**

[22] Filed: **Aug. 21, 1980**

[51] Int. Cl. **D6-06**

[52] U.S. Cl. **D6/191; D23/69**

[58] Field of Search **D6/164, 167, 191, 192;**
D23/62, 69; 4/166, 167, 187 R, 189, 190

[56] **References Cited**

U.S. PATENT DOCUMENTS

D. 175,672	9/1955	Crook	D6/192
D. 196,519	10/1963	Rojahn	D6/192
D. 235,044	5/1975	Donner	D6/192
D. 235,955	7/1975	Shelley, Jr.	D6/191
D. 239,237	3/1976	Vihma	D6/192 X
D. 259,656	6/1981	Alfrink et al.	D23/69

OTHER PUBLICATIONS

Sears, Spring & Summer 1972, p. 978, Bathroom Sink at center of page.

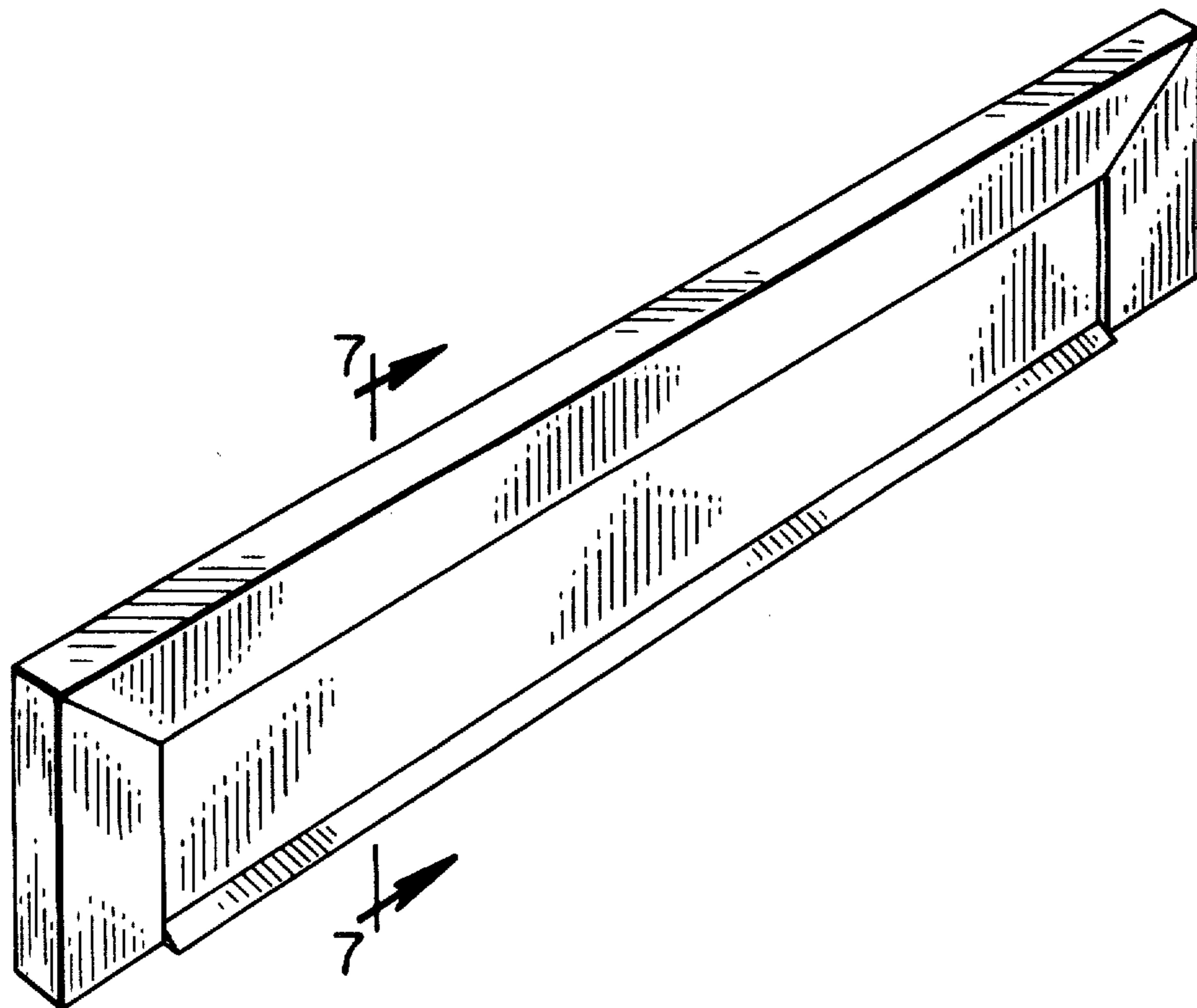
Primary Examiner—Bruce W. Dunkins
Attorney, Agent, or Firm—Chernoff & Vilhauer

[57] **CLAIM**

The ornamental design for a splash rail for countertop, as shown.

DESCRIPTION

FIG. 1 is a perspective view of a splash rail for countertop embodying the features of my new design; FIG. 2 is a plan view thereof, at an enlarged scale; FIG. 3 is a front elevational view thereof, at an enlarged scale; FIG. 4 is a bottom view thereof, at an enlarged scale; FIG. 5 is a rear view thereof, at an enlarged scale; FIG. 6 is an end elevation view thereof, at an enlarged scale, the end of the design not shown in FIG. 6 is the mirror image thereof; and FIG. 7 is a cross-sectional view thereof, at an enlarged scale, taken along the line 7-7 of FIG. 1.



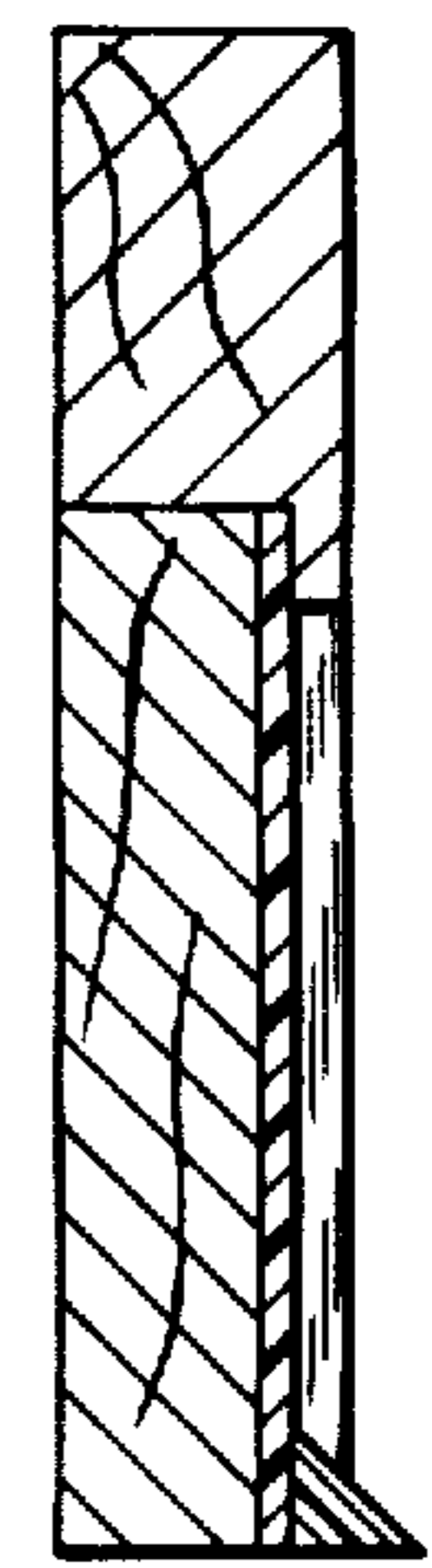
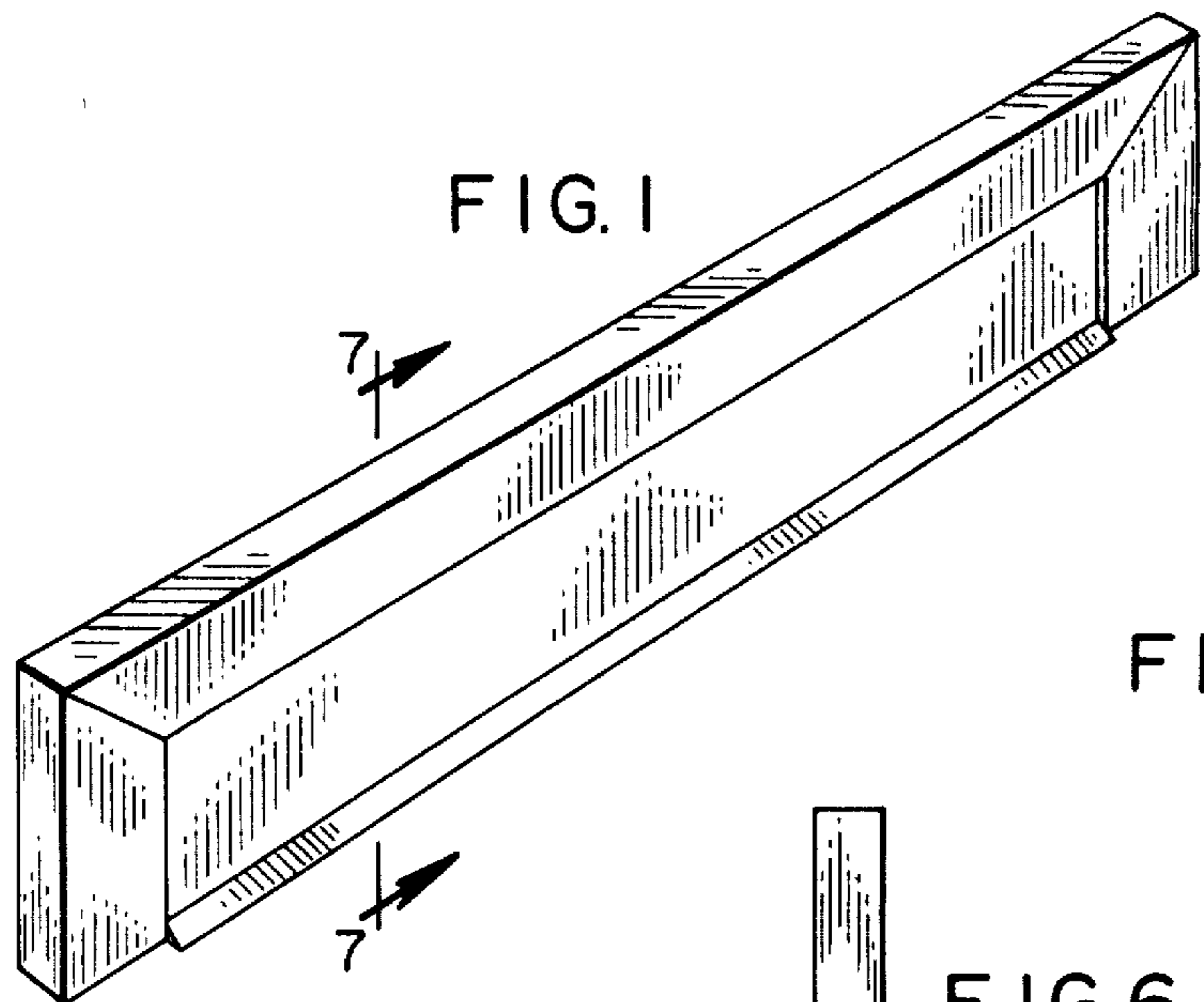


FIG. 2

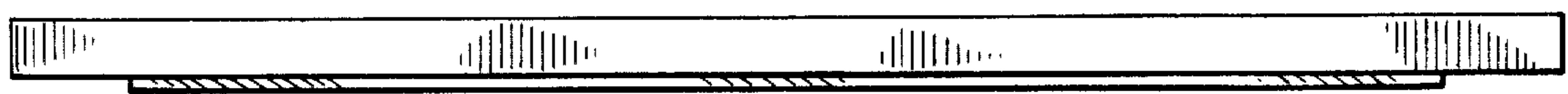


FIG. 3

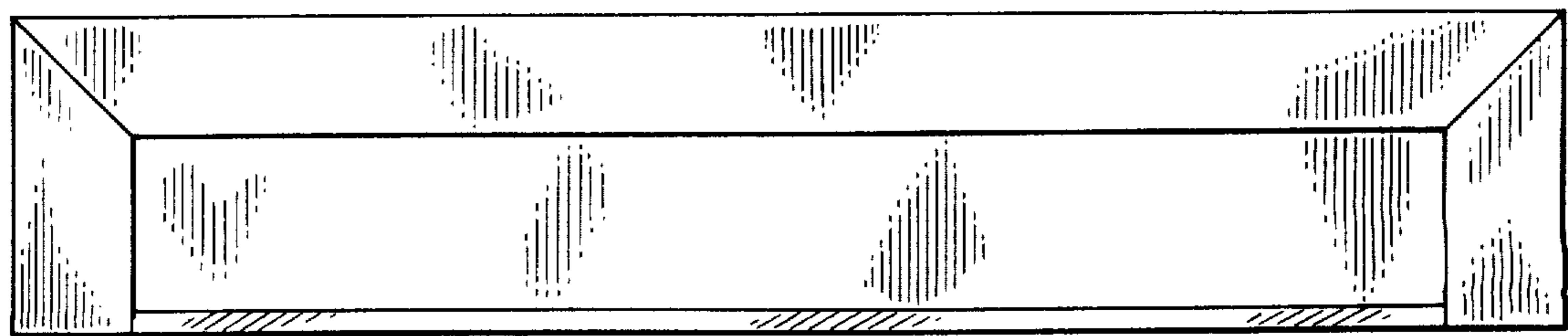


FIG. 5

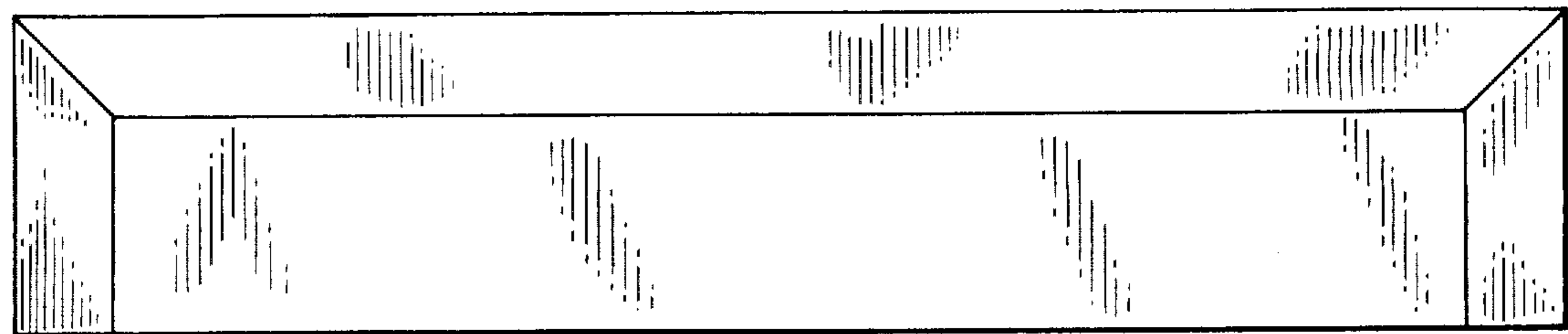


FIG. 4

