

[54] FOLDABLE TABLE FOR POWER TOOLS

[75] Inventors: Irwin J. Ferdinand, Glencoe; Richard Sylvan, Glenview; Herbert Baisch, Palatine, all of Ill.

[73] Assignee: Hirsh Company, Skokie, Ill.

[**] Term: 14 Years

[21] Appl. No.: 190,431

[22] Filed: Sep. 24, 1980

[51] Int. Cl. D6-03

[52] U.S. Cl. D6/178

[58] Field of Search D6/27, 146-149, D6/175, 177-179; 269/244

[56] References Cited

U.S. PATENT DOCUMENTS

- D. 250,079 10/1978 Hickman et al. D6/178
- D. 253,212 10/1979 Maruscak et al. D6/178
- D. 261,712 11/1981 Ferdinand et al. D6/178

3,615,087 10/1971 Hickman D6/178 X

Primary Examiner—Bruce W. Dunkins
Attorney, Agent, or Firm—Dressler, Goldsmith, Shore, Sutker & Milnamow, Ltd.

[57] CLAIM

The ornamental design for a foldable table for power tools, substantially as shown and described.

DESCRIPTION

FIG. 1 is a perspective view of the foldable table for power tools of our new design;
 FIG. 2 is a plan view of the foldable table for power tools of our new design;
 FIG. 3 is a front view of the foldable table for power tools of our new design;
 FIG. 4 is a left side view of the foldable table for power tools of our new design;
 FIG. 5 is a right side view of the foldable table for power tools of our new design; and
 FIG. 6 is a rear view of the foldable table for power tools of our new design.

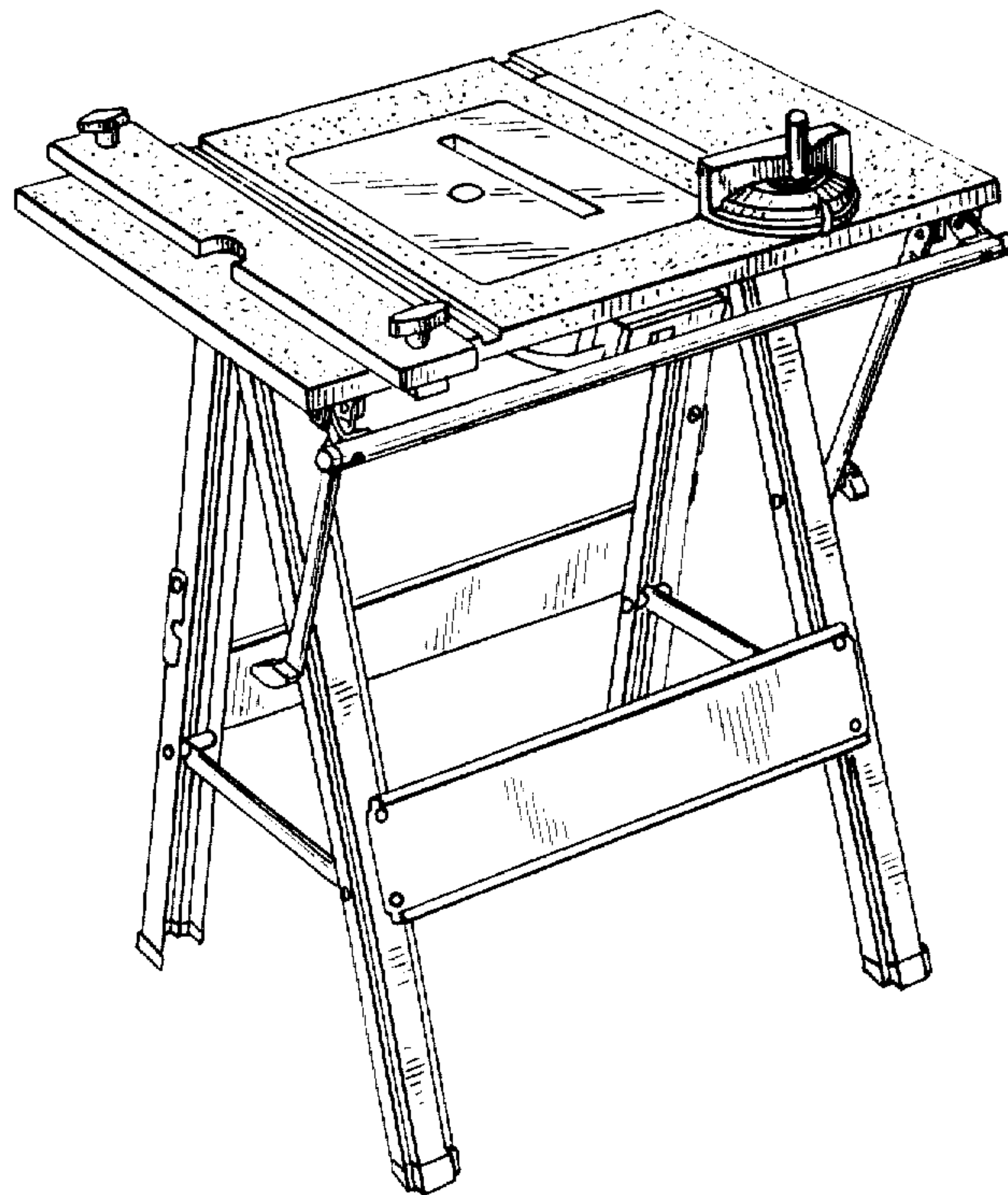


FIG. 1

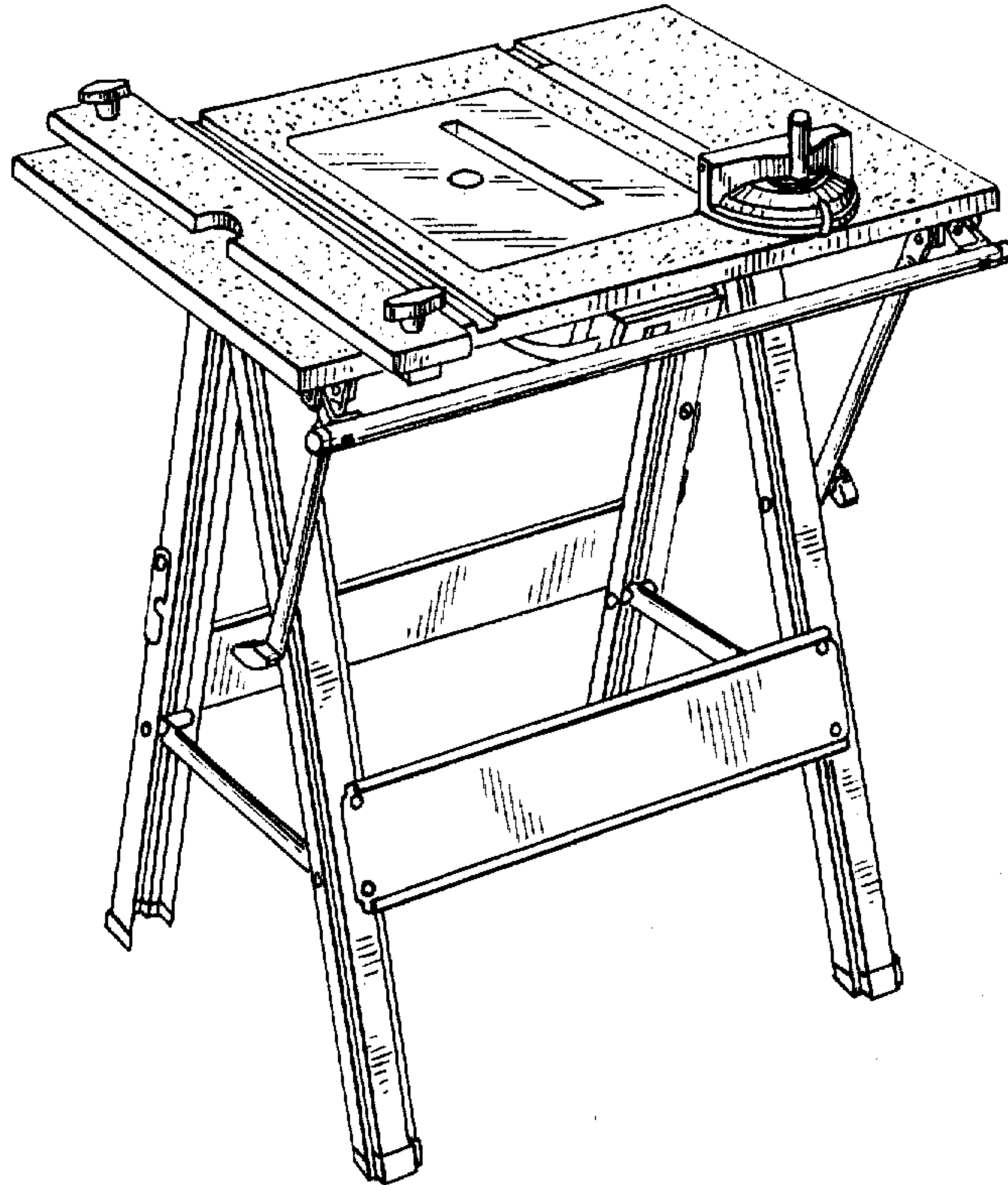


FIG. 2

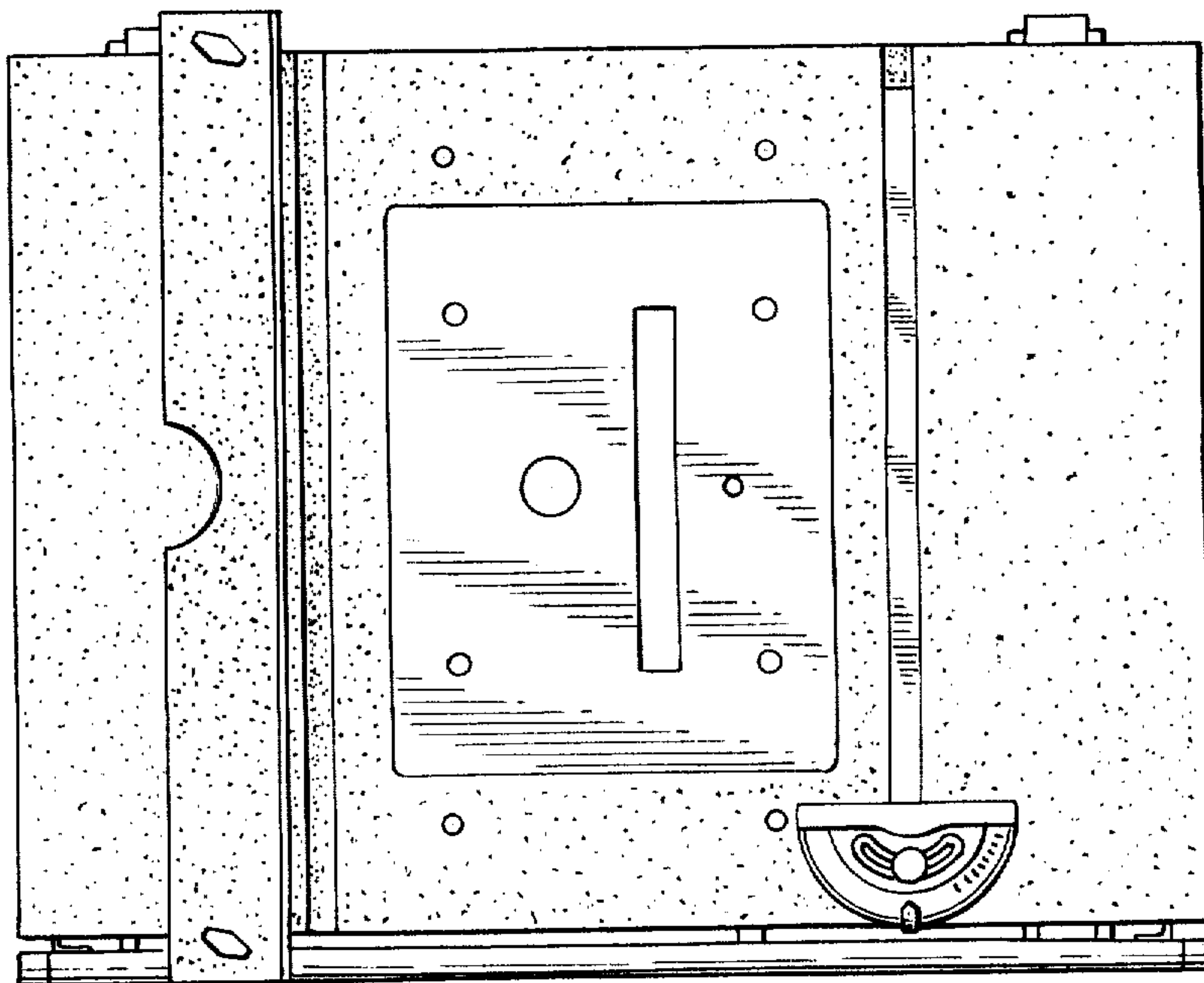


FIG. 3

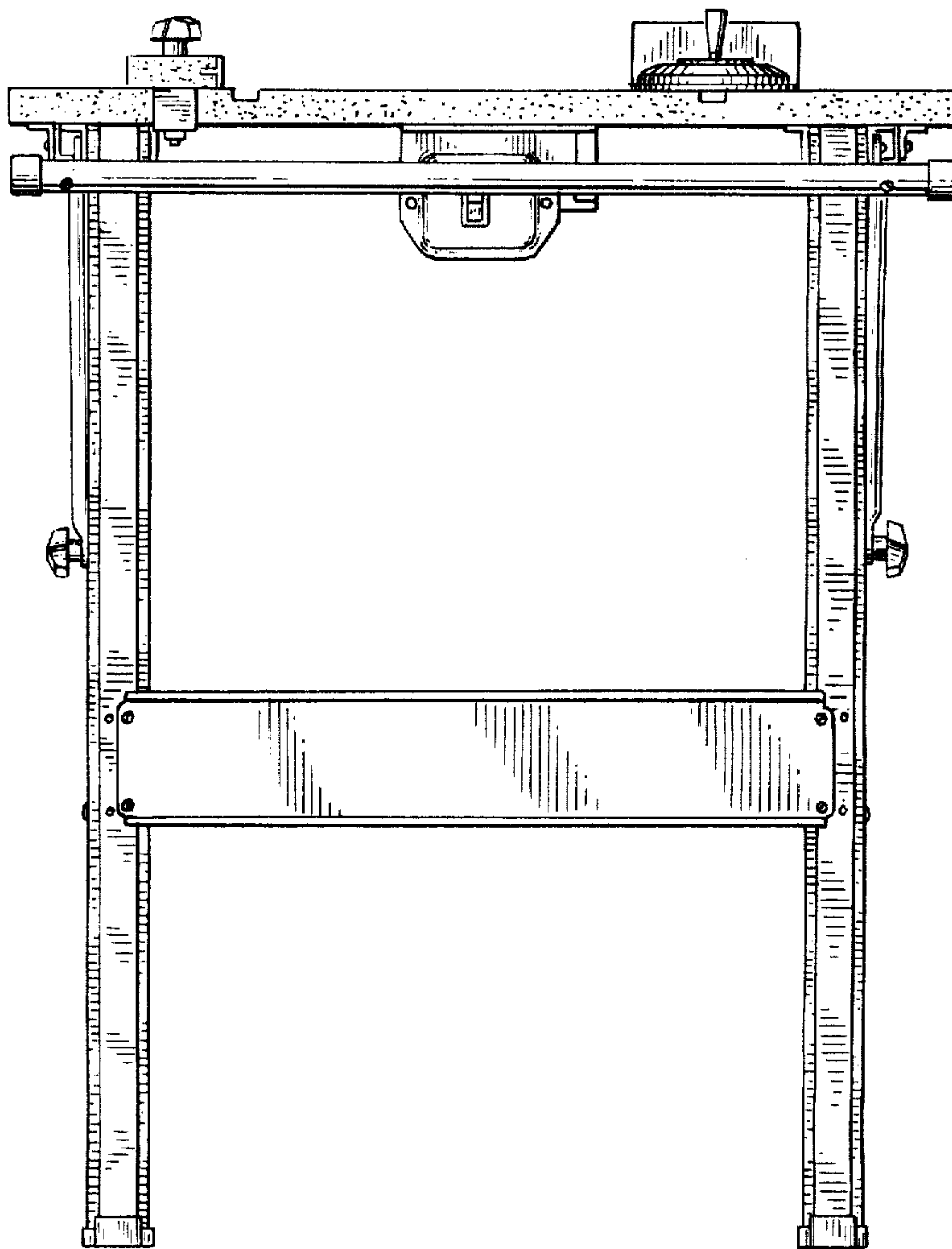


FIG. 4

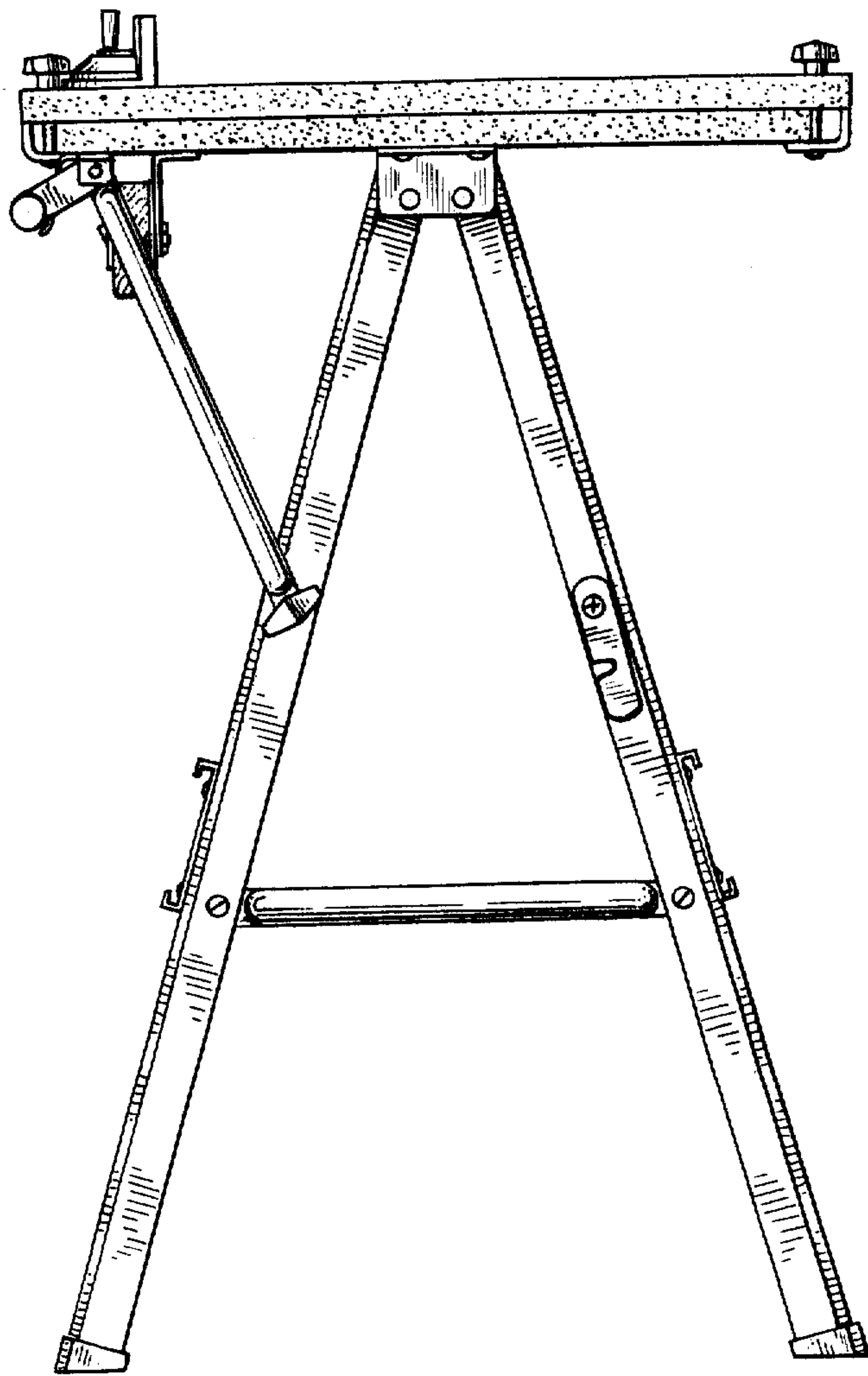


FIG. 5

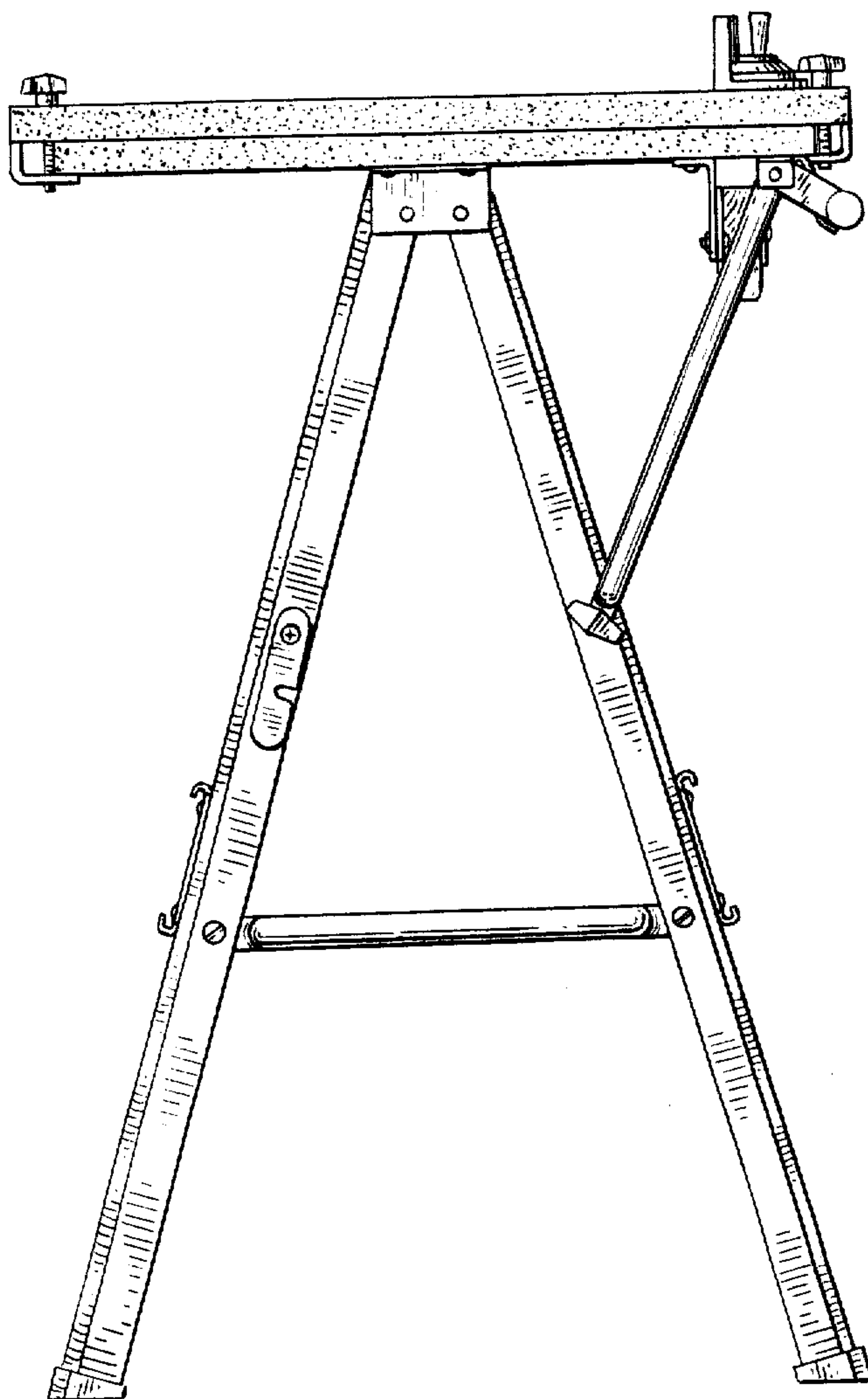


FIG. 6

