

[54] **TABLE OR THE LIKE**

[75] Inventor: **Richard M. Chapin**, Charlotte, N.C.

[73] Assignee: **Family Tree Furniture Company, Inc.**,
Salisbury, N.C.

[**] Term: **14 Years**

[21] Appl. No.: **85,309**

[22] Filed: **Oct. 16, 1979**

[51] Int. Cl. **D6—03**

[52] U.S. Cl. **D6/175**

[58] Field of Search **D6/146, 175, 177-179**

[56] **References Cited**

U.S. PATENT DOCUMENTS

- D. 217,912 6/1970 Trippett D6/177 X
3,886,710 6/1975 Krause et al. D6/177 X

OTHER PUBLICATIONS

Selig Tables Cat., p. L-305, Nesting Table at forefront,
No. 22-00.

Domus Catalog, Nov. 1975, p. 36, Table lower left
corner.

Primary Examiner—Bruce W. Dunkins

Attorney, Agent, or Firm—Bell, Seltzer, Park & Gibson

[57] **CLAIM**

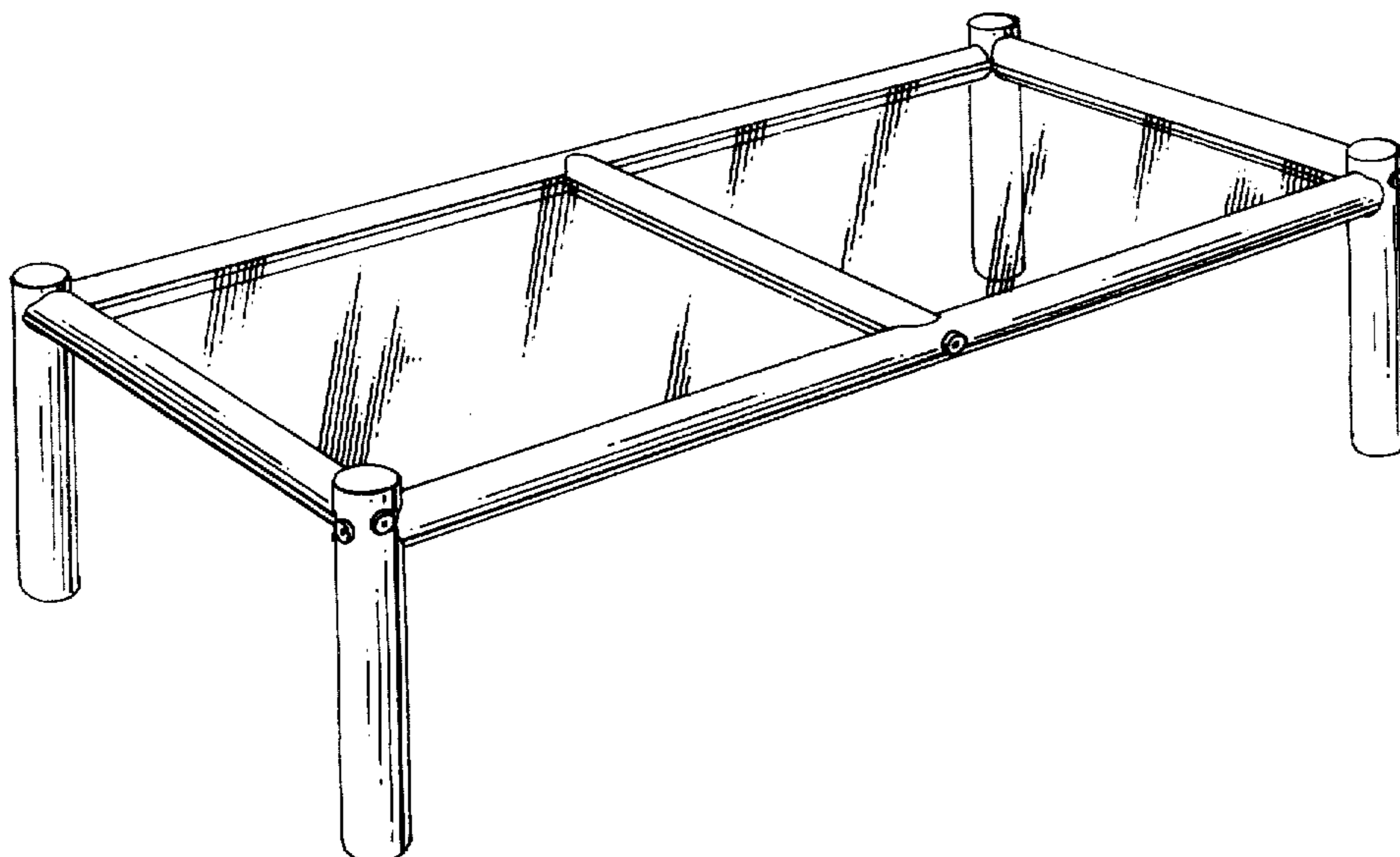
The ornamental design for table or the like, substan-
tially as shown and described.

DESCRIPTION

FIG. 1 is a perspective view of a rectangular cocktail
table showing one embodiment of my new design. The
sides not shown are like the sides shown.

FIG. 2 is a perspective view of a square corner table
showing another embodiment of my new design. The
sides not shown are like the sides shown.

The design is characterized in the log-like appearance
of the frame members and legs formed of corresponding
cross-sectional size in combination with the inset tops
disposed midway of the thickness of the surrounding
frame, all as shown.



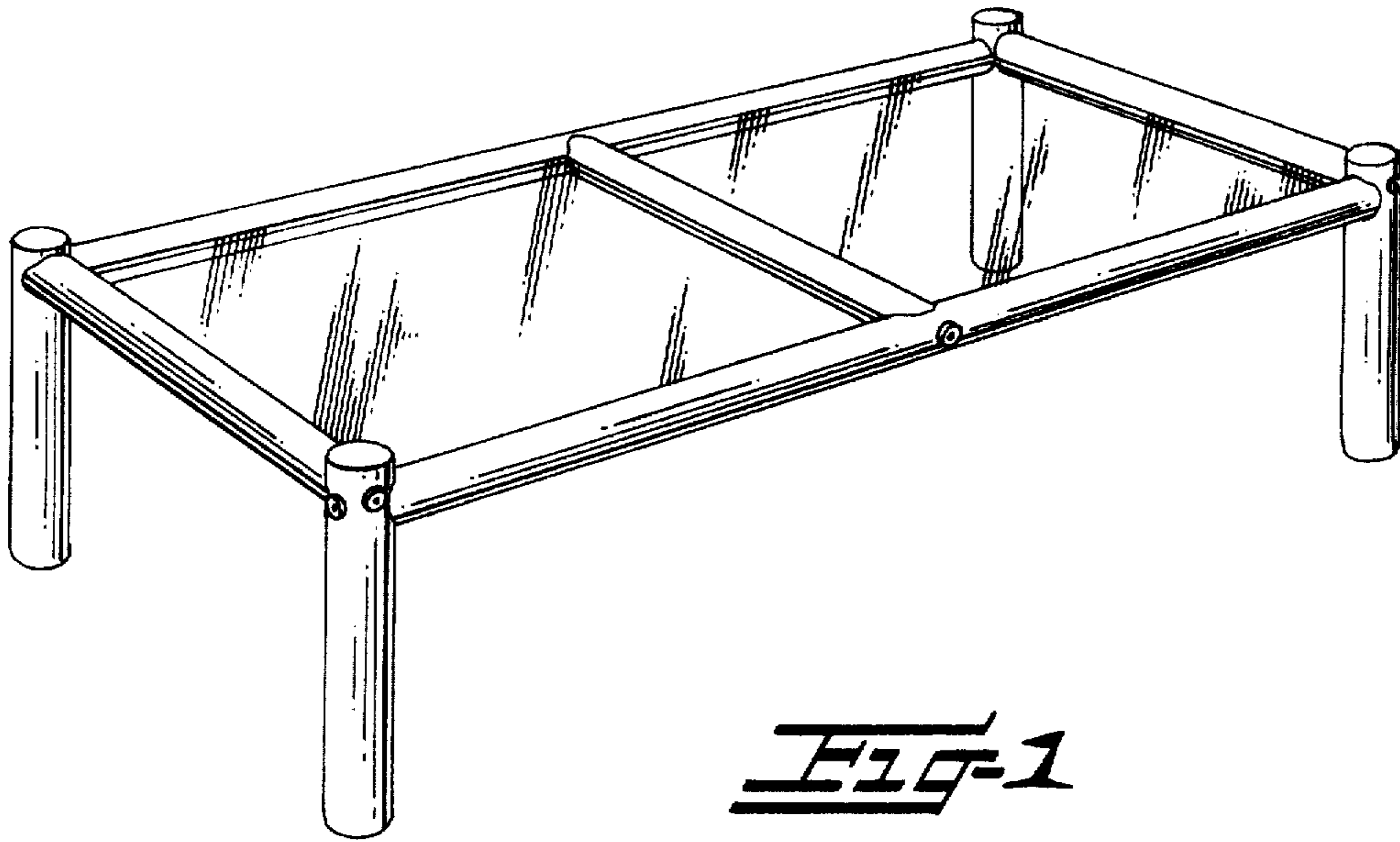


FIG-1

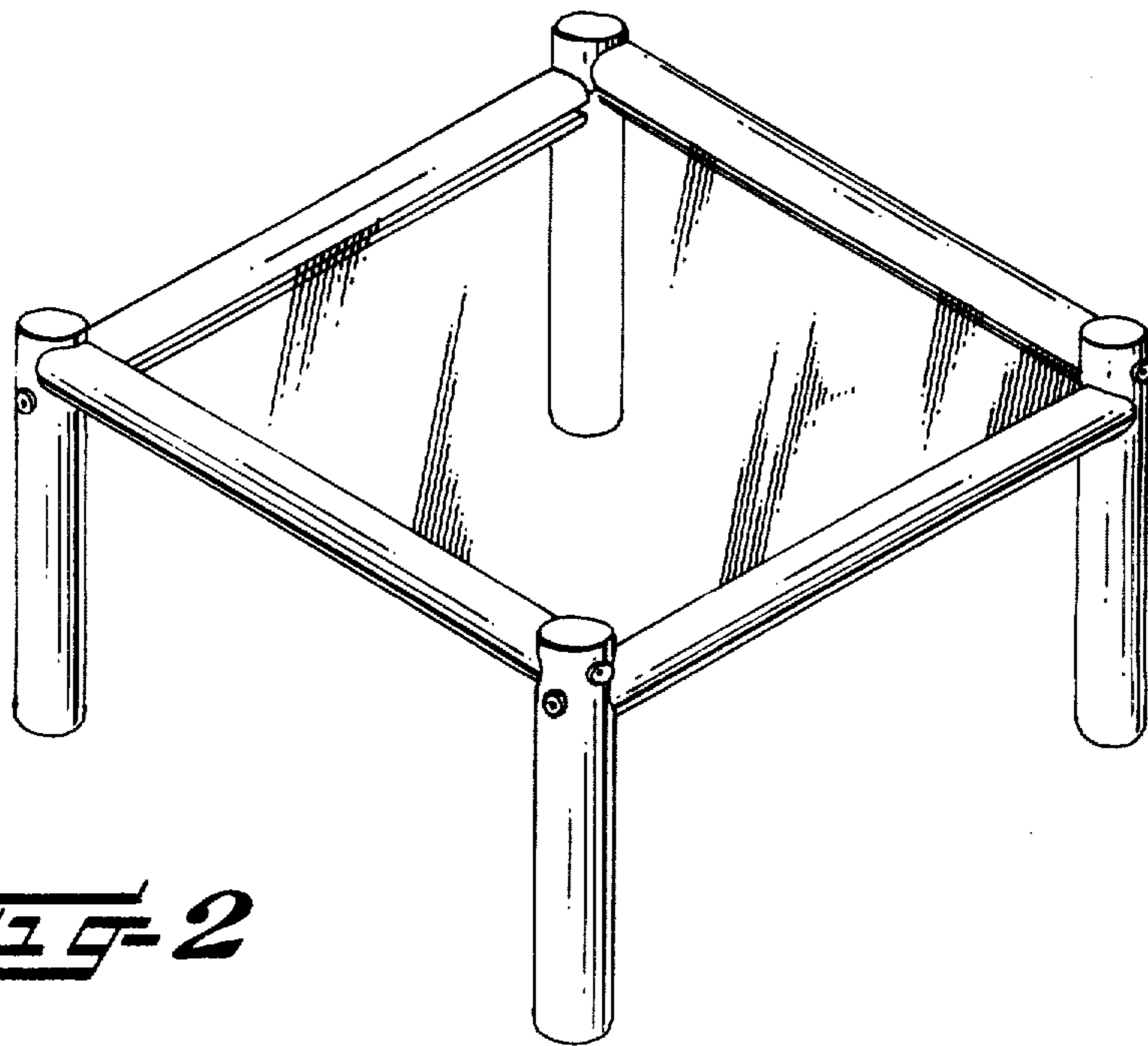


FIG-2