

[54] DUAL ROCKER OR SIMILAR ARTICLE

D. 239,683 4/1976 Tuttle ..... D6/49

[75] Inventor: Alan J. Wexler, Lake Success, N.Y.

OTHER PUBLICATIONS

[73] Assignee: Astra Trading Corporation, New York, N.Y.

Interiors, 2-1963, p. 104, rocker bottom by Vesey.

[\*\*] Term: 14 Years

Primary Examiner—Bruce W. Dunkins

Attorney, Agent, or Firm—Holland, Armstrong, Wilkie & Previto

[21] Appl. No.: 70,159

[57] CLAIM

[22] Filed: Aug. 27, 1979

The ornamental design for a dual rocker or similar article, substantially as shown and described.

[51] Int. Cl. .... D6-01

[52] U.S. Cl. .... D6/49

[58] Field of Search ..... D6/37-39, D6/47-78

DESCRIPTION

FIG. 1 is a front perspective view of a dual rocker or similar article showing the design.

FIG. 2 is an enlarged detailed view of the rocker back covering taken from the circle "2" on FIG. 1.

FIG. 3 is a side elevational view of the rocker.

FIG. 4 is a plan view of the rocker.

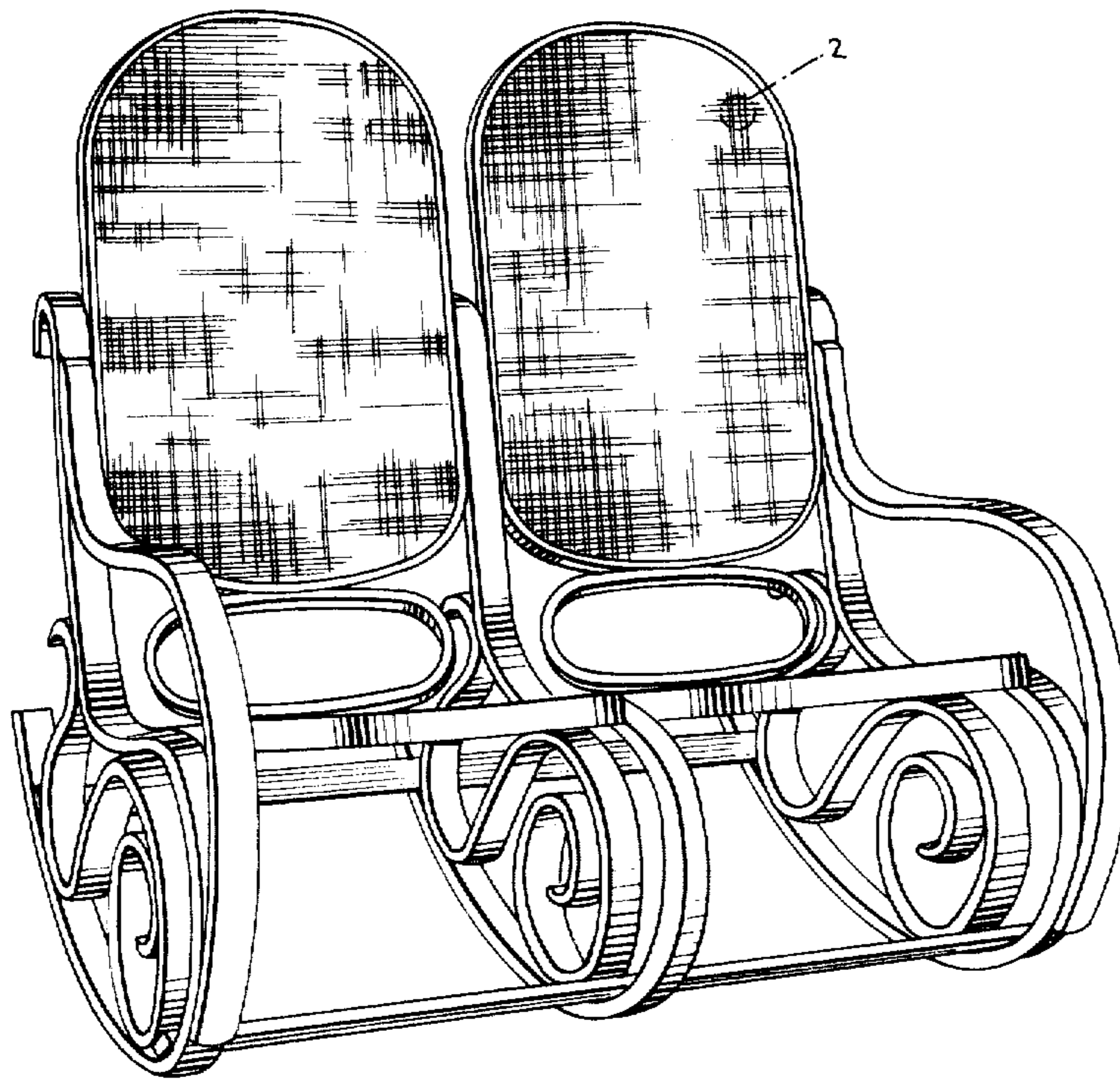
FIG. 5 is a rear elevational view of the rocker.

[56] References Cited

U.S. PATENT DOCUMENTS

D. 141,550 6/1945 Edelson ..... D6/49

D. 236,047 7/1975 Hoshall et al. .... D6/60



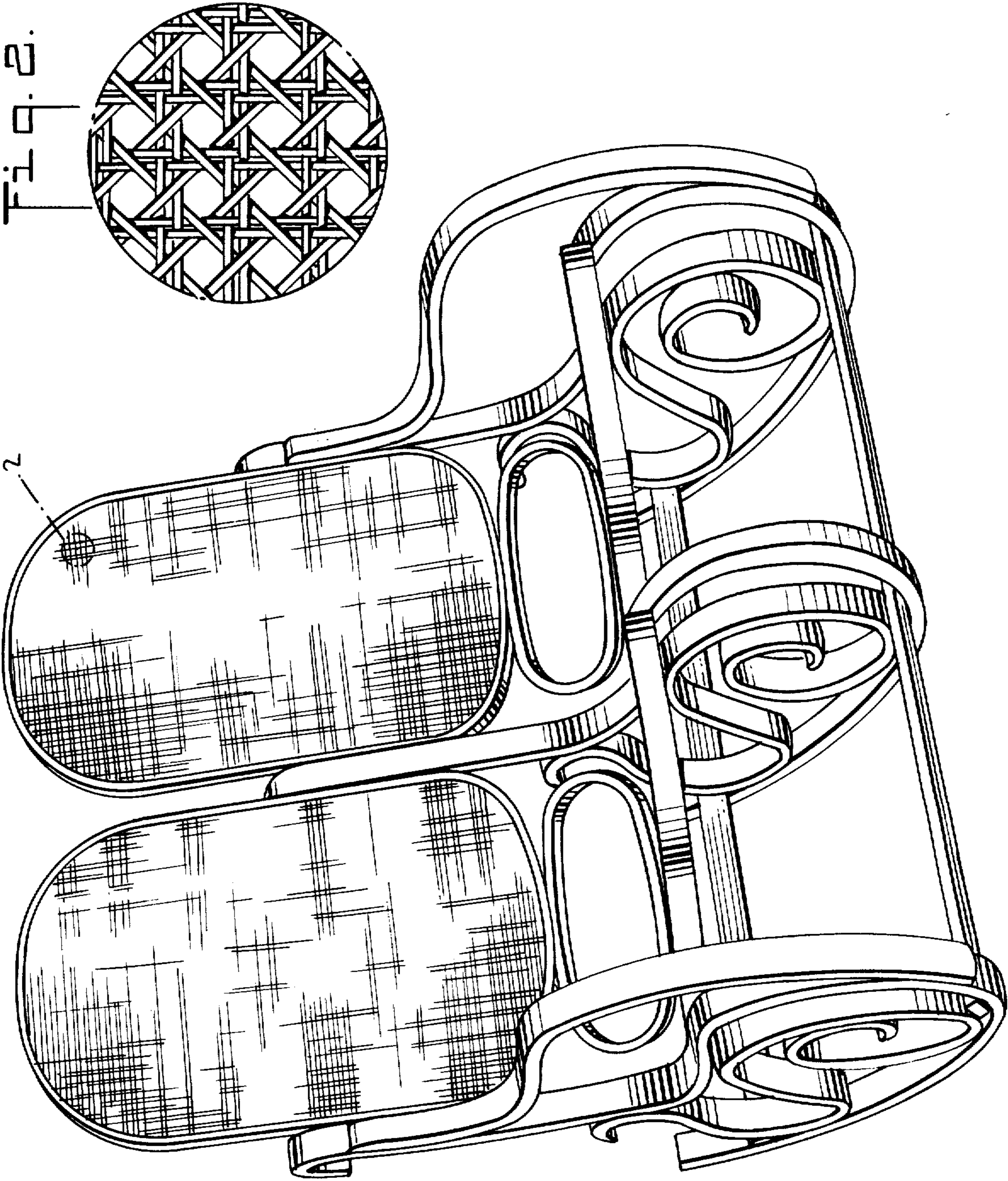


Fig. 1.

Fig. 2.



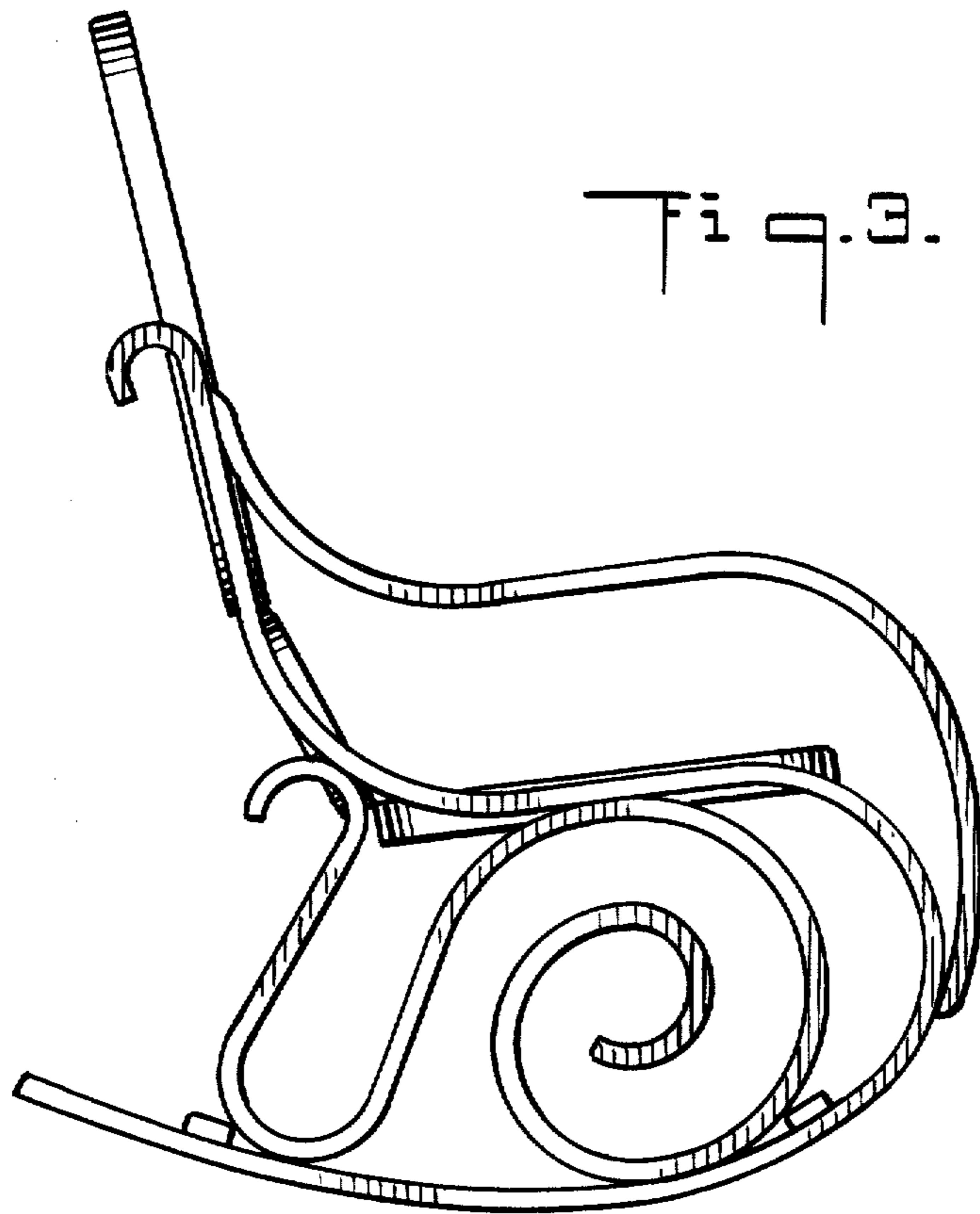


Fig. 3.

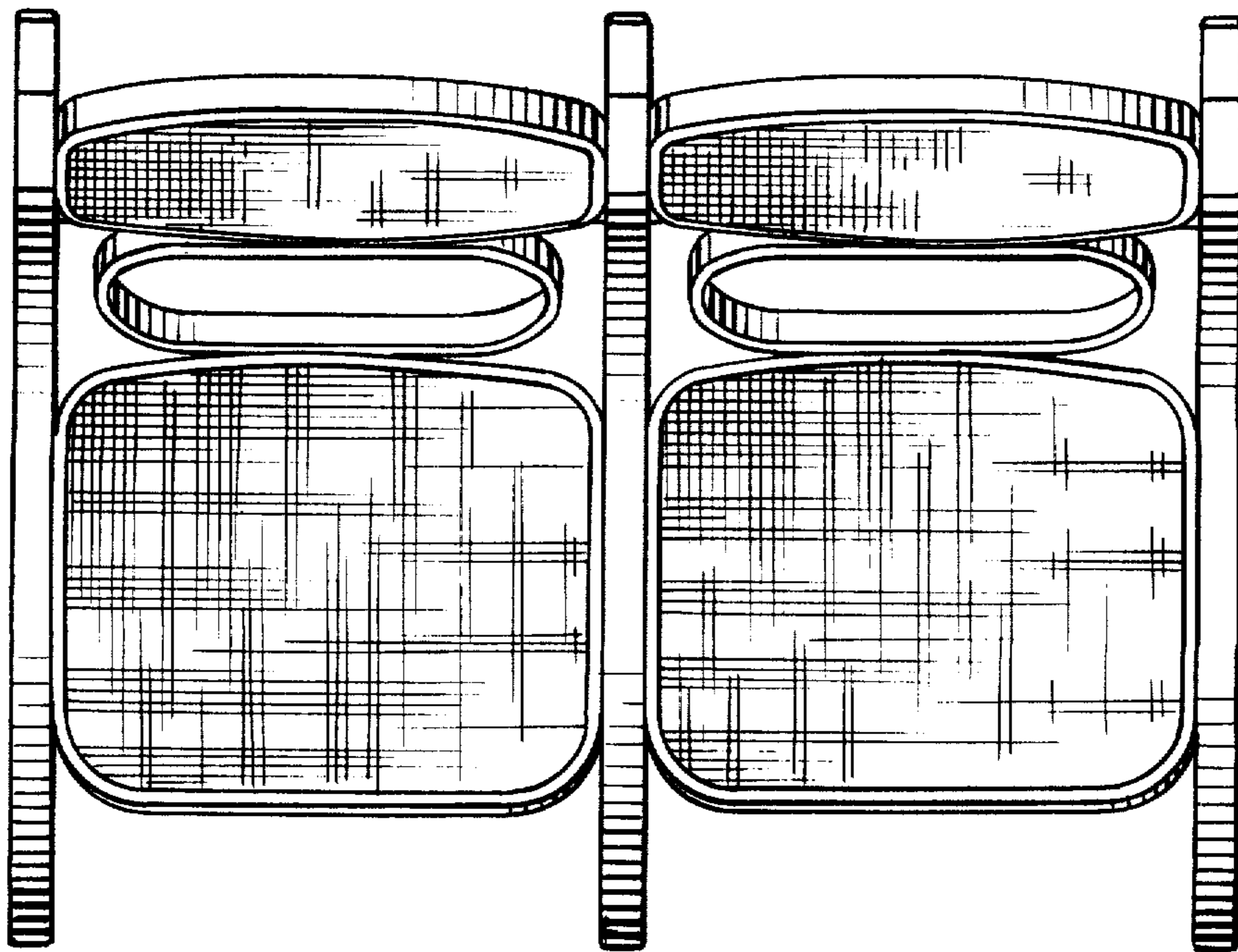


Fig. 4.

Fig. 5.

