

[54] PERSONAL CARE APPLIANCE

4,103,694 8/1978 Burian 132/73.6

[76] Inventor: John S. Doyel, 404 W. 20th St., New York, N.Y. 10011

[**] Term: 14 Years

[21] Appl. No.: 161,016

[22] Filed: Jun. 19, 1980

[51] Int. Cl. D28-03

[52] U.S. Cl. D28/58

[58] Field of Search D4/14, 15, 19; D24/36, D24/40, 41; D28/13, 24, 50, 56-59, 62, 99; 132/73, 73.5, 73.6, 75, 75.6, 75.8; 210/50

[56] References Cited

U.S. PATENT DOCUMENTS

- D. 253,675 12/1979 Rakocy et al. D28/58
- D. 256,171 7/1980 Tomaro D28/50
- 3,183,538 5/1965 Hübner 210/50 X

OTHER PUBLICATIONS

HFD-Retailing Home Furnishings, Section 3, Jan. 15, 1979, p. 19, Beauty Care Appliance in lower right.

Primary Examiner—Leland A. Sebastian
Attorney, Agent, or Firm—Cooper, Dunham, Clark, Griffin & Moran

[57] CLAIM

The ornamental design for a personal care appliance, as shown and described.

DESCRIPTION

FIG. 1 is a top plan view of a personal care appliance showing my new design;
FIG. 2 is a left side elevational view;
FIG. 3 is a bottom plan view;
FIG. 4 is a right side elevational view;
FIG. 5 is a front elevational view; and
FIG. 6 is a rear elevational view.

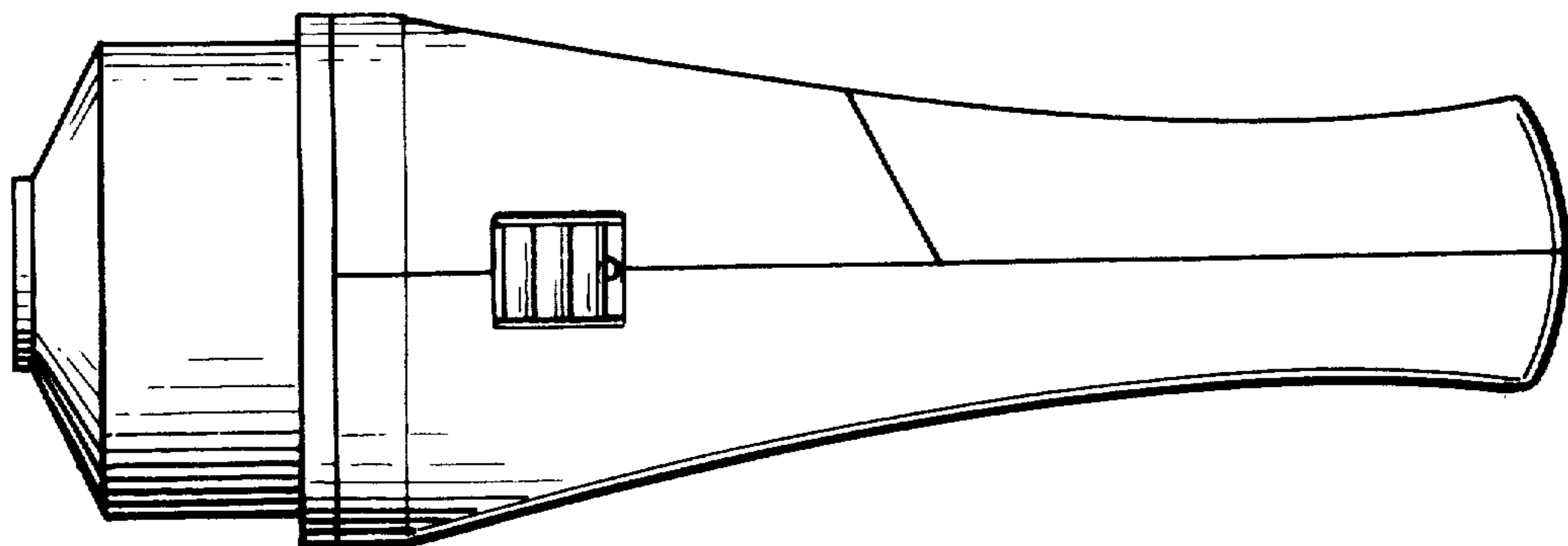


Fig. 1.

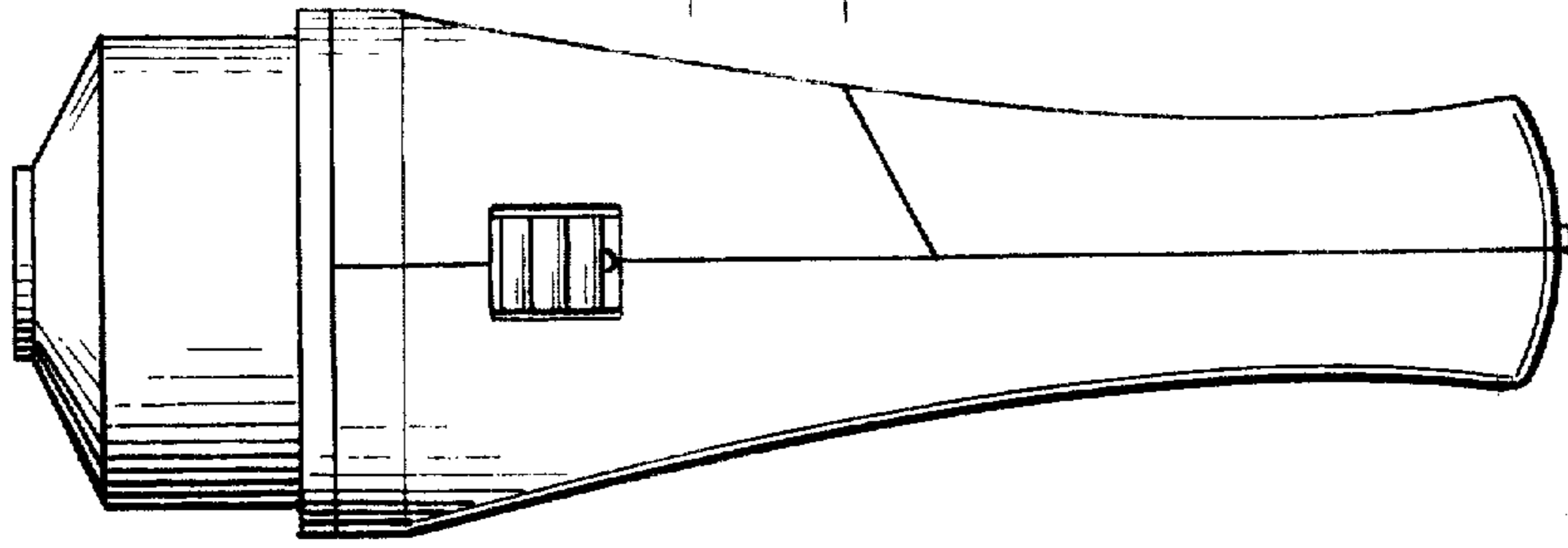


Fig. 2.

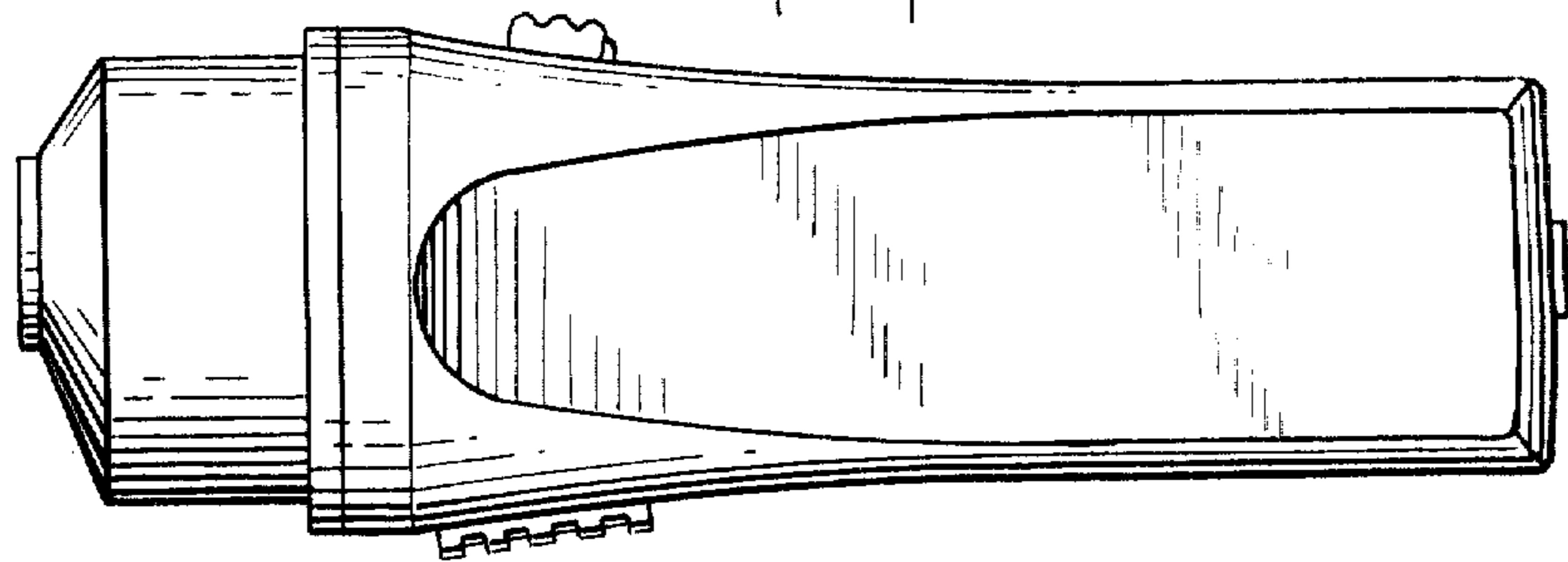


Fig. 3.

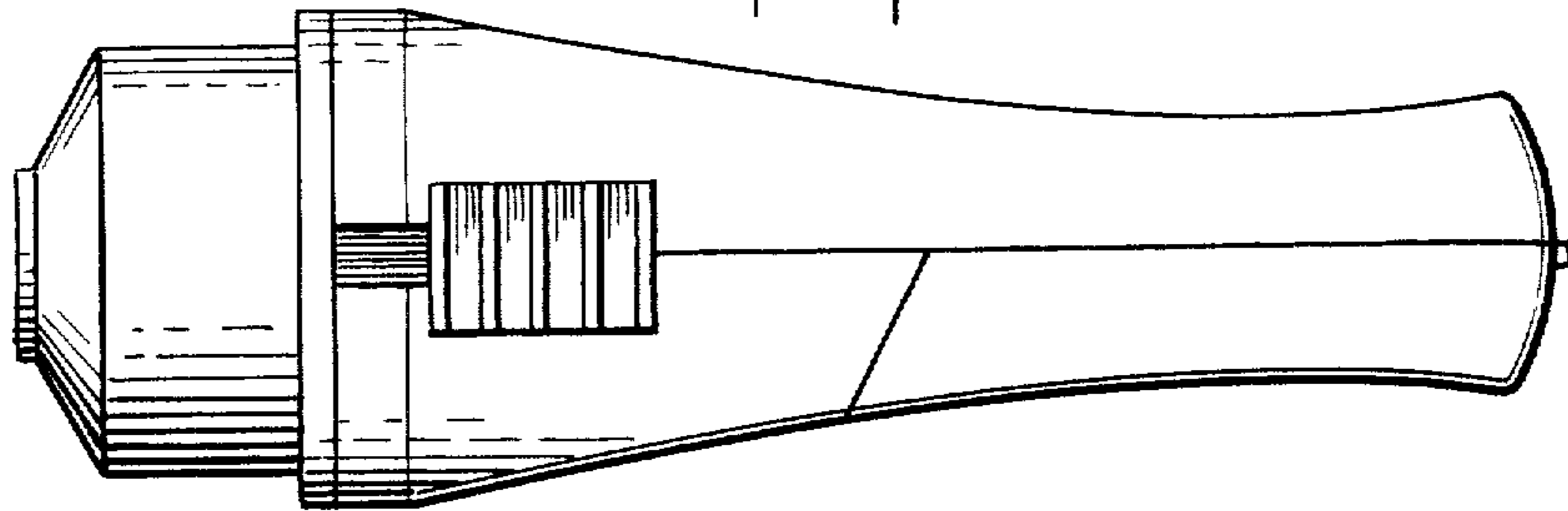
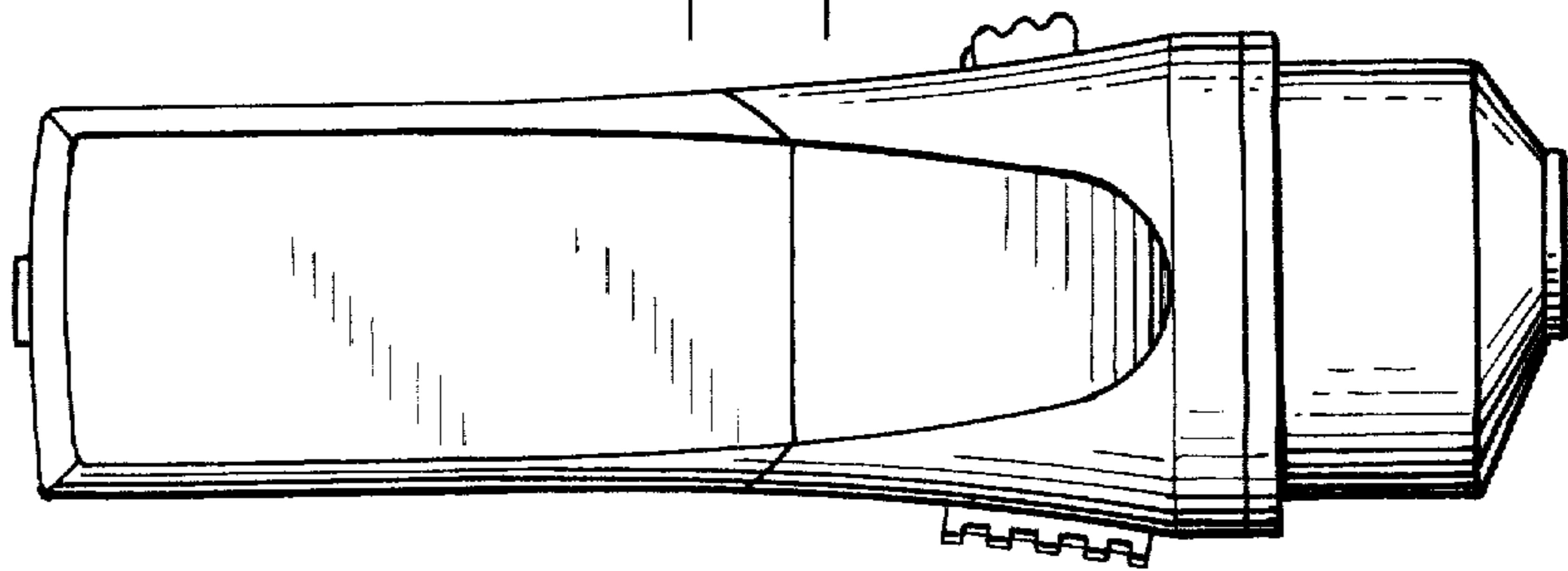


Fig. 4.



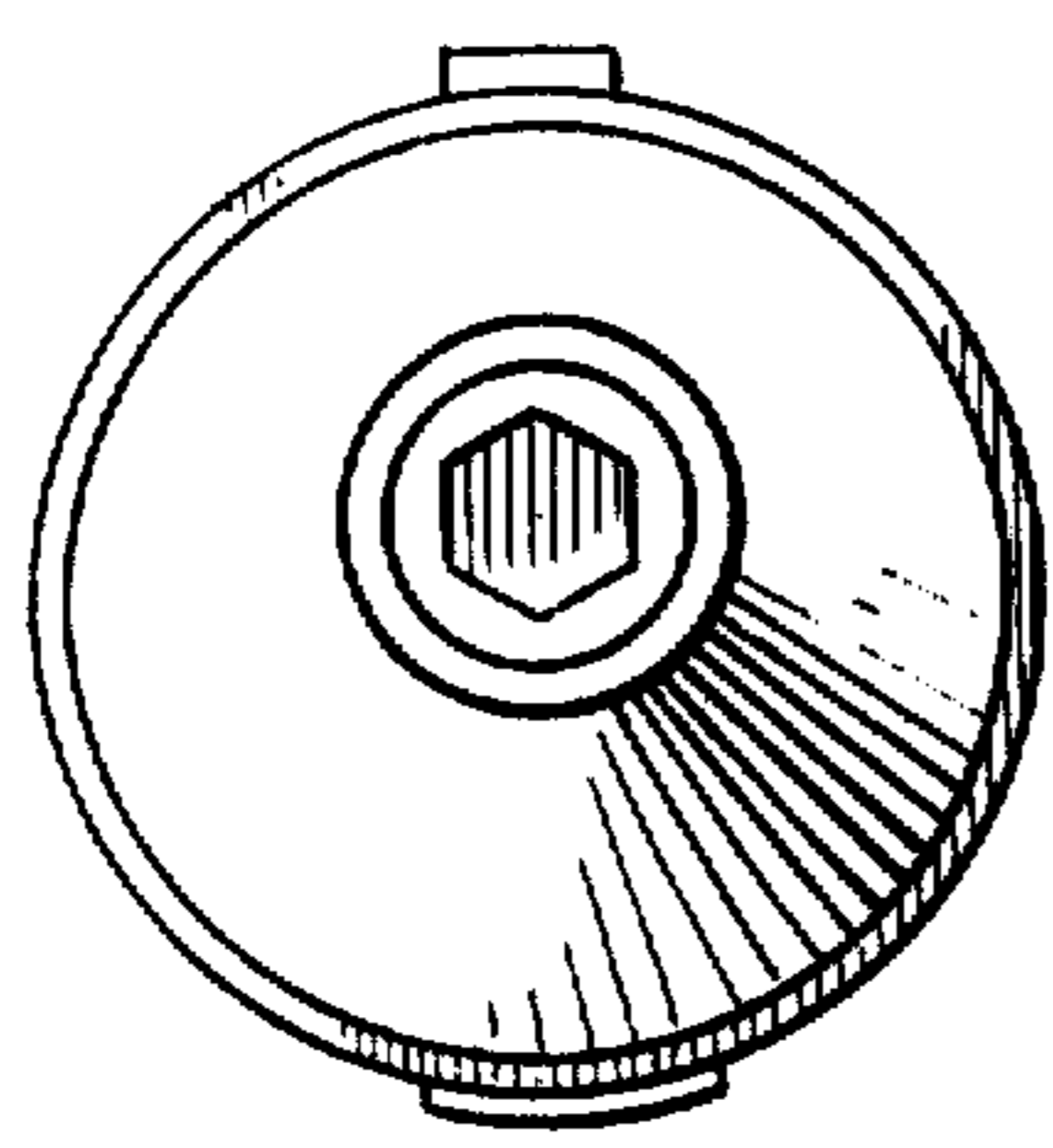


Fig. 5.

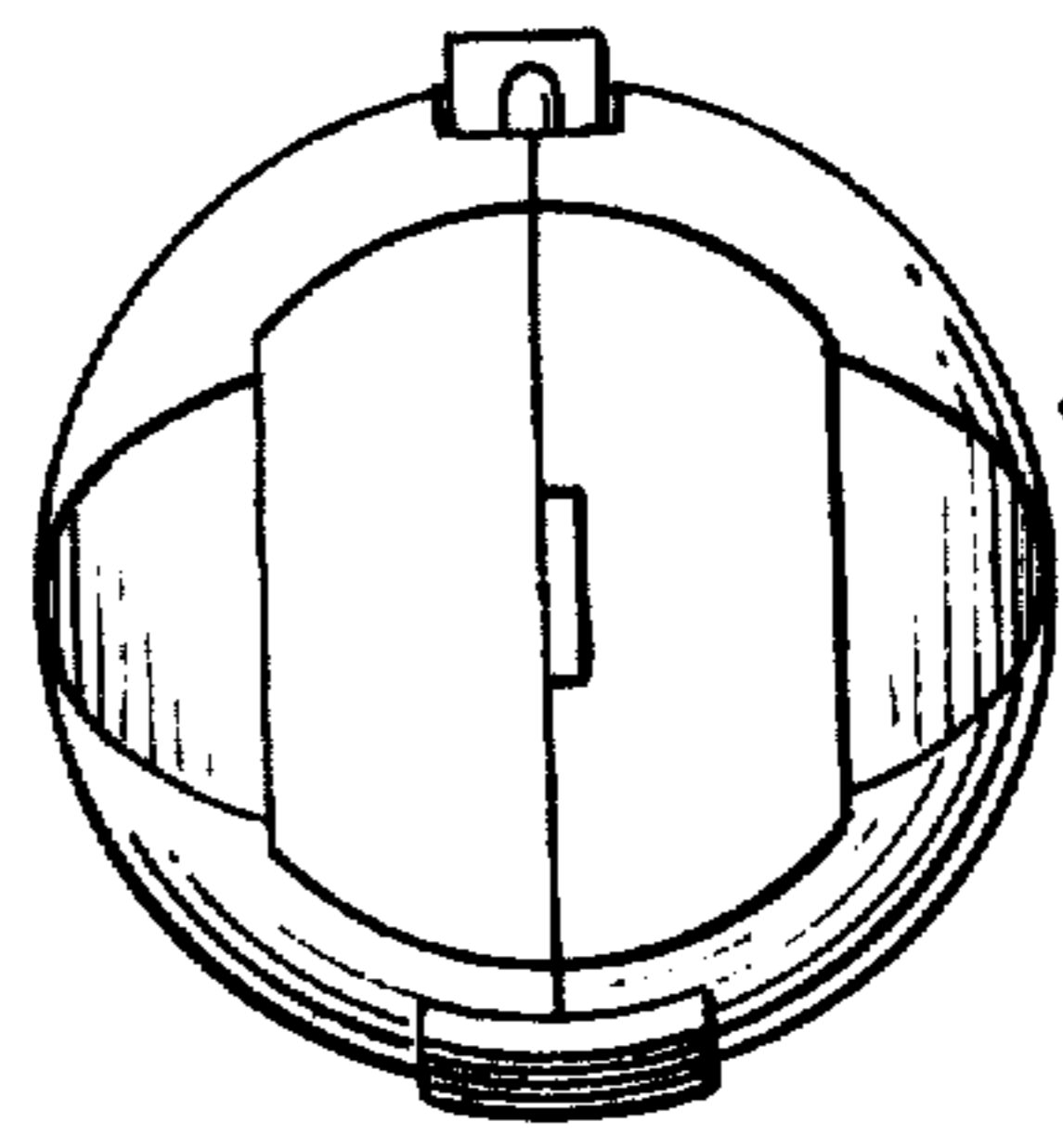


Fig. 6.

Fig. 13.

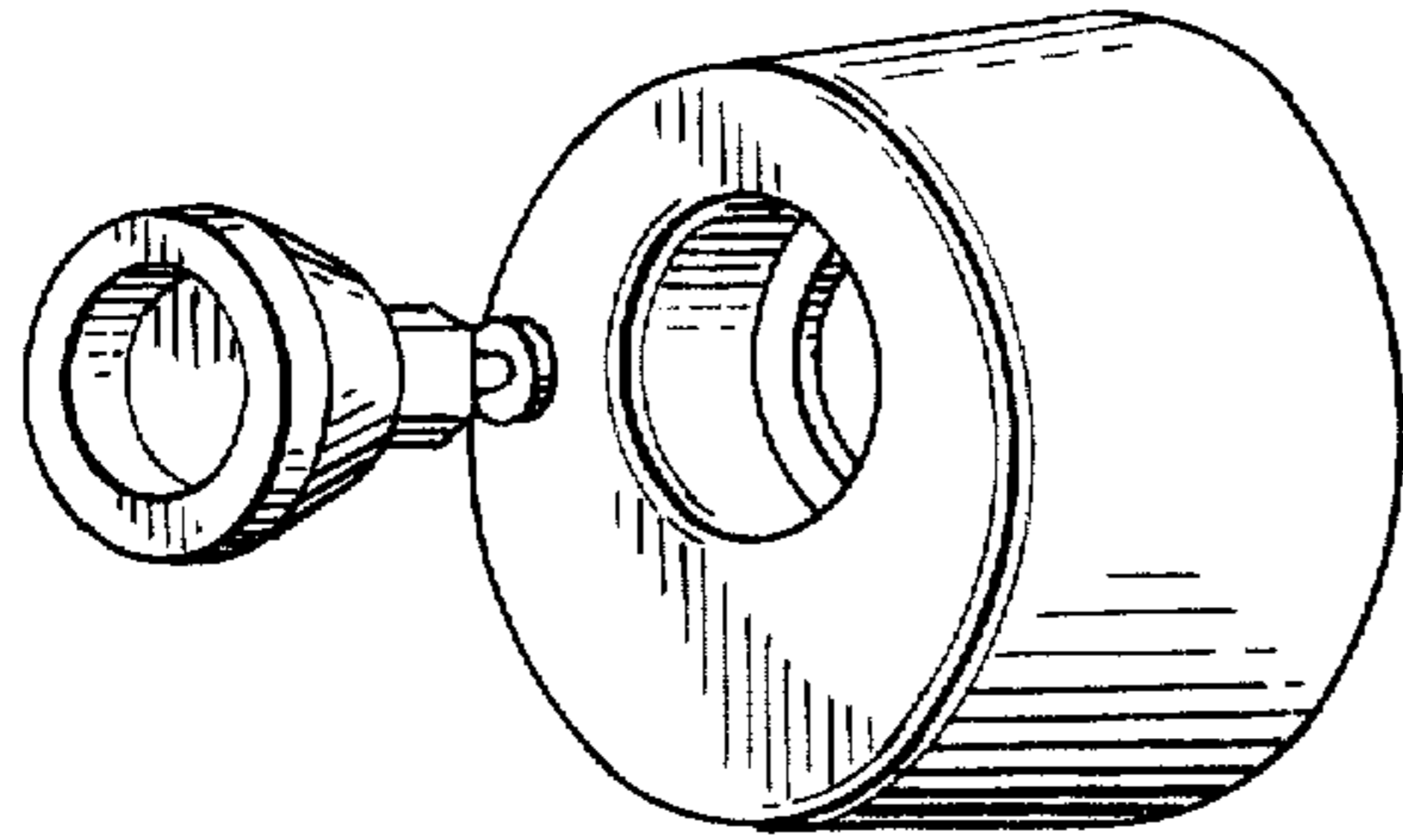


Fig. 14.

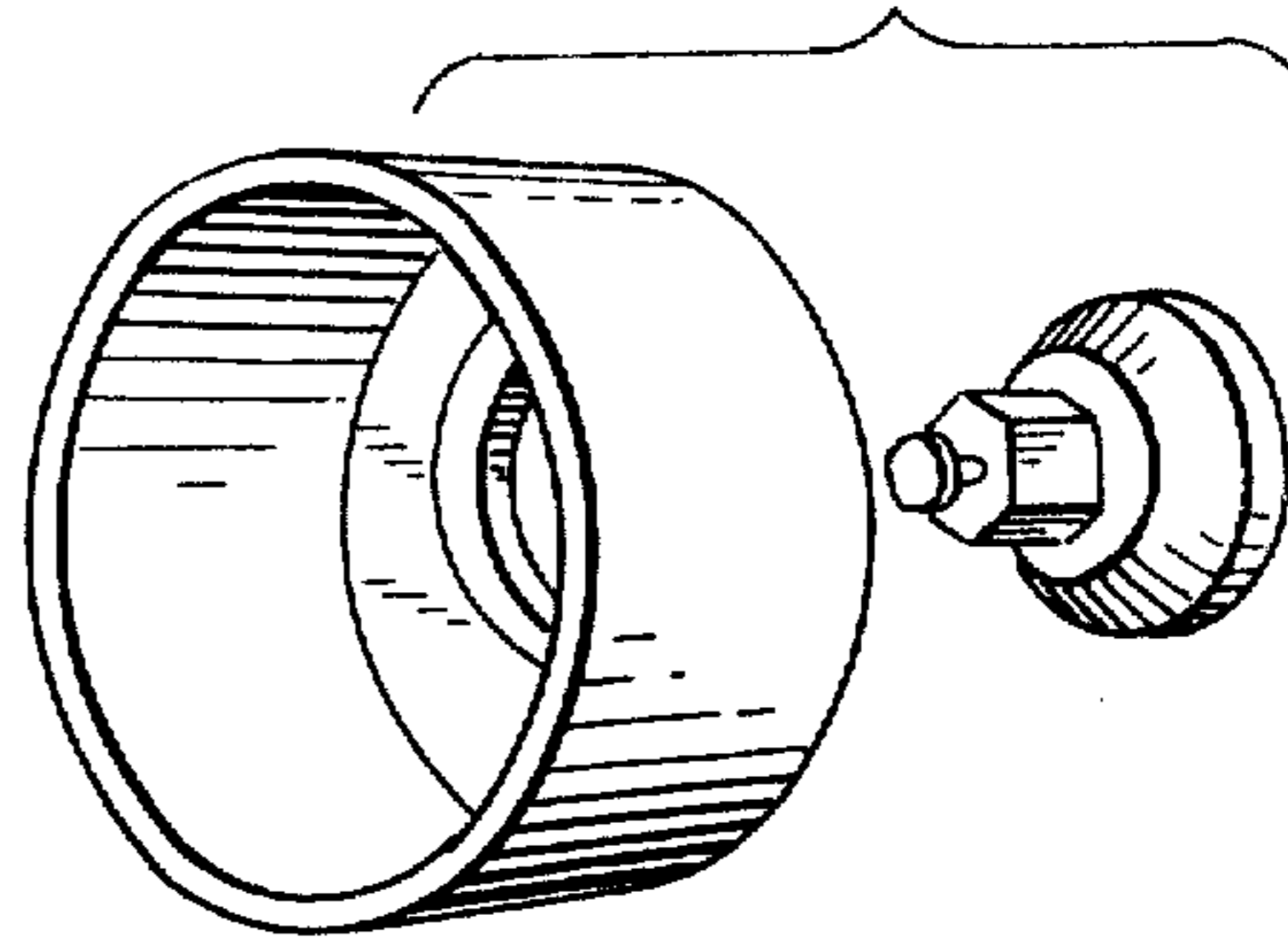


Fig. 15.

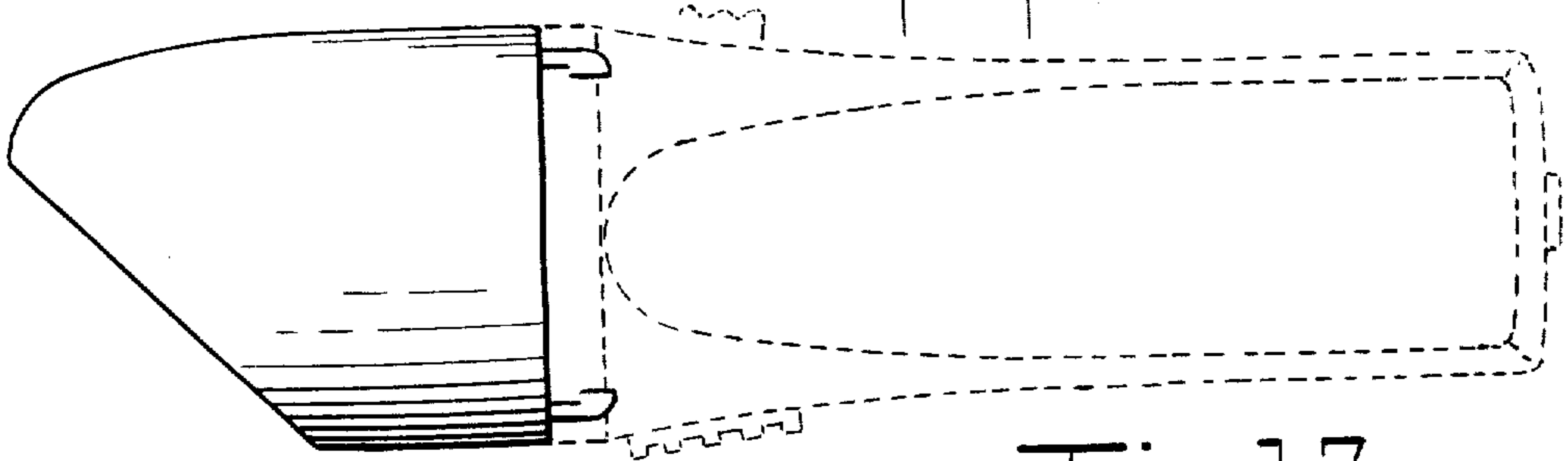


Fig. 16.

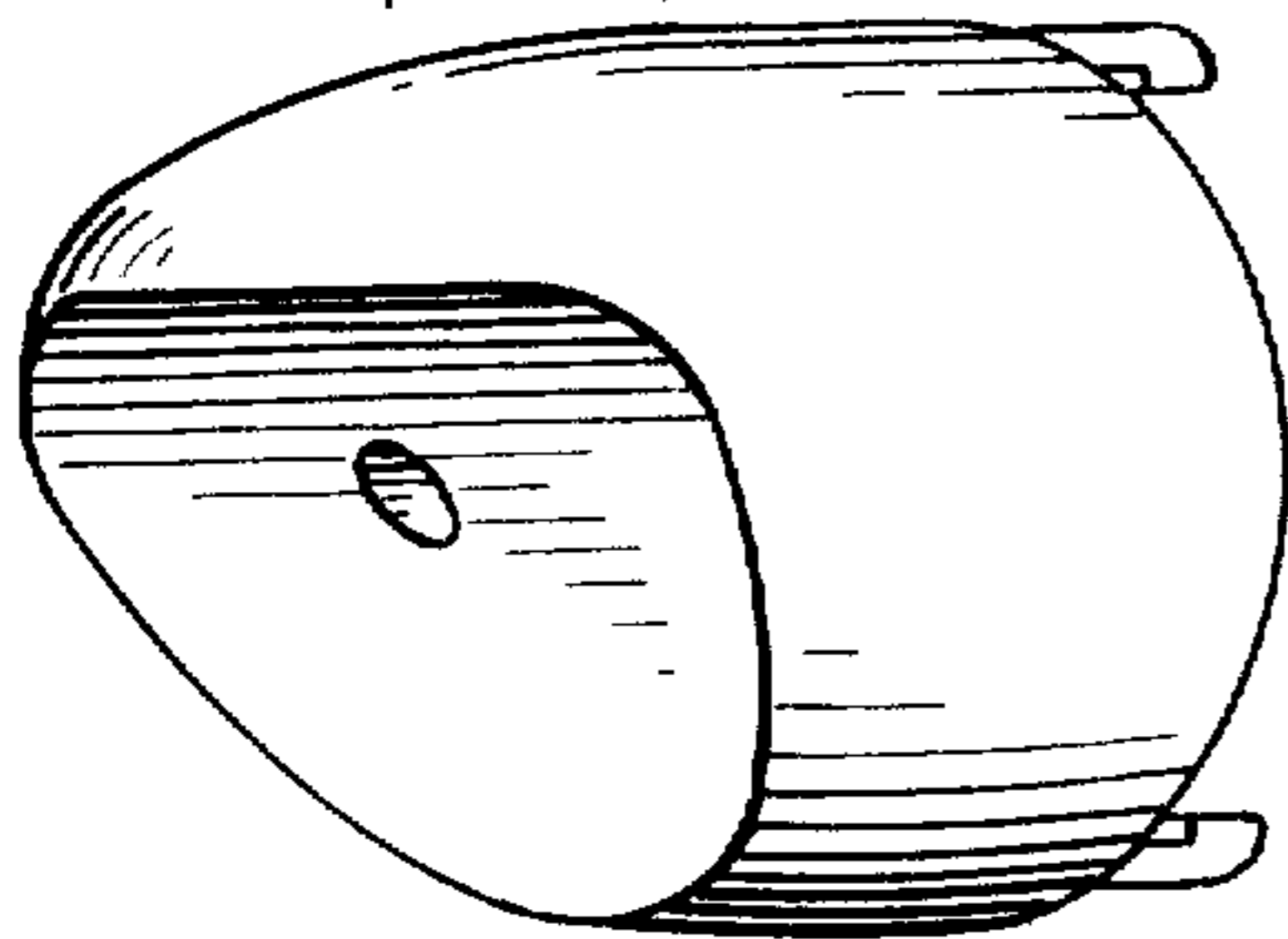


Fig. 17.

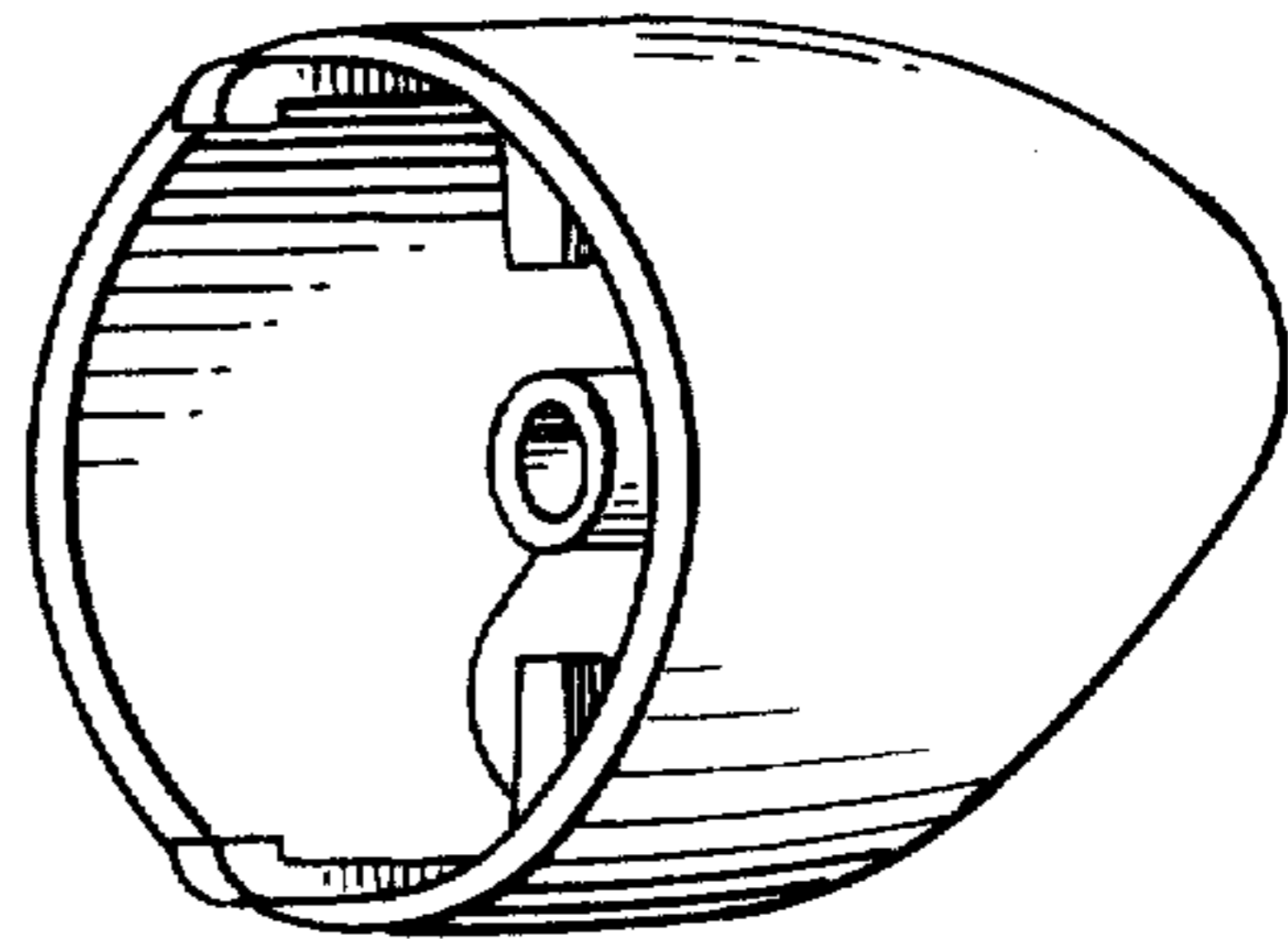


Fig. 18.

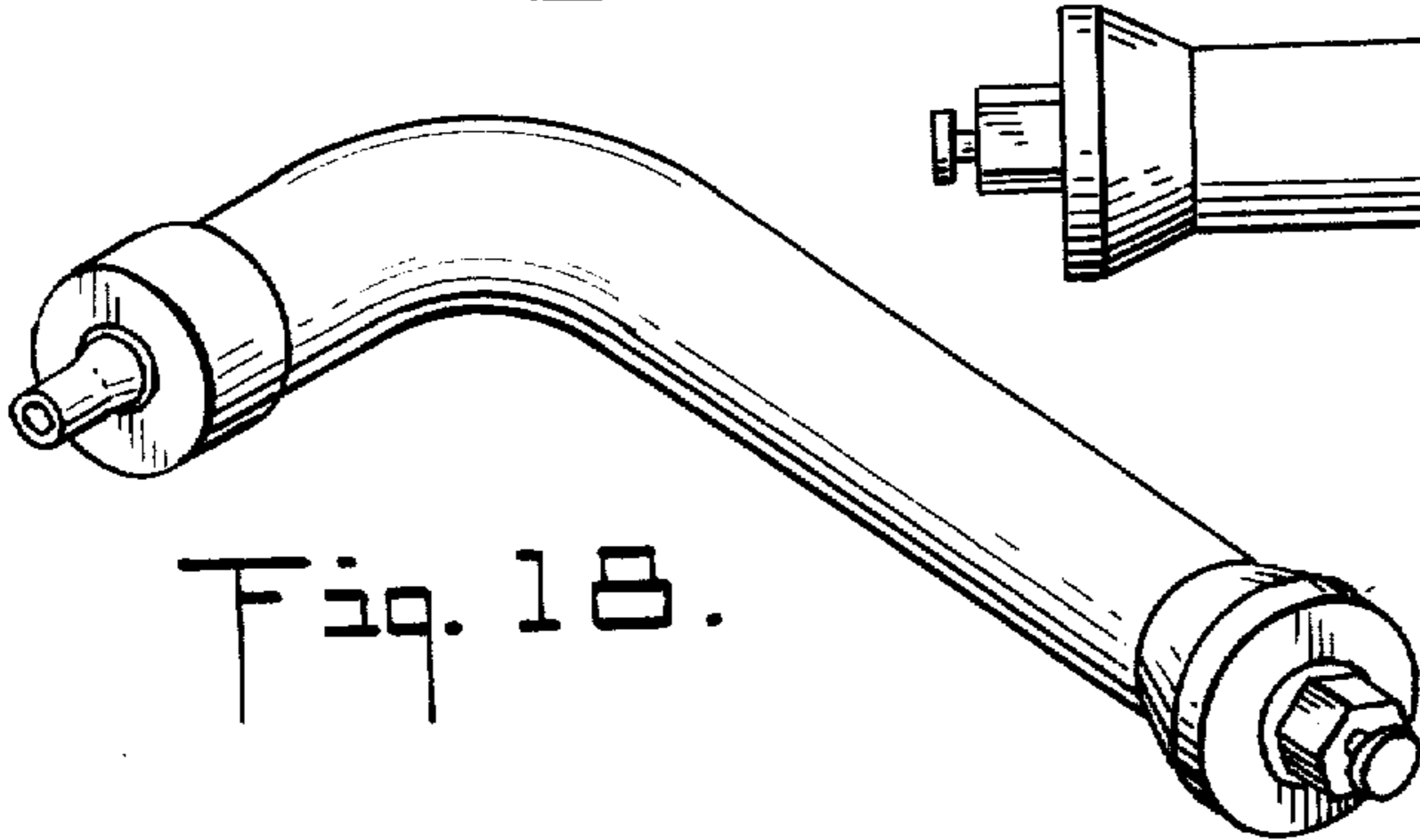


Fig. 19.

