

[54] ELECTRIC DISCHARGE LAMP

[75] Inventors: Kazuo Ariga, Tokyo; Mitunari Yoshida, Yokohama, both of Japan

[73] Assignee: Stanley Electric Co., Ltd., Tokyo, Japan

[\*\*] Term: 14 Years

[21] Appl. No.: 100,137

[22] Filed: Dec. 4, 1979

[30] Foreign Application Priority Data

Oct. 12, 1979 [JP] Japan ..... 54-42957

[51] Int. Cl. .... D26-04

[52] U.S. Cl. .... D26/3

[58] Field of Search ..... D26/3; 313/315, 316, 313/317, 318, 493, 494, 496, 497, 513, 519

[56] References Cited

U.S. PATENT DOCUMENTS

3,976,907 8/1976 Yanagisawa et al. .... 313/519  
4,034,253 7/1977 Yamauchi ..... 313/317  
4,090,102 5/1978 Yasutome et al. .... 313/317

FOREIGN PATENT DOCUMENTS

952293 4/1949 France ..... 313/317

Primary Examiner—Susan J. Lucas  
Attorney, Agent, or Firm—Frishauf, Holtz, Goodman and Woodward

[57] CLAIM

The ornamental design for an electric discharge lamp, as shown and described.

DESCRIPTION

FIG. 1 is a plan view of the electric discharge lamp, showing our new design;  
FIG. 2 is a front view thereof;  
FIG. 3 is a right-hand side view thereof;  
FIG. 4 is a perspective view thereof; and  
FIG. 5 is a rear view thereof on a reduced scale.

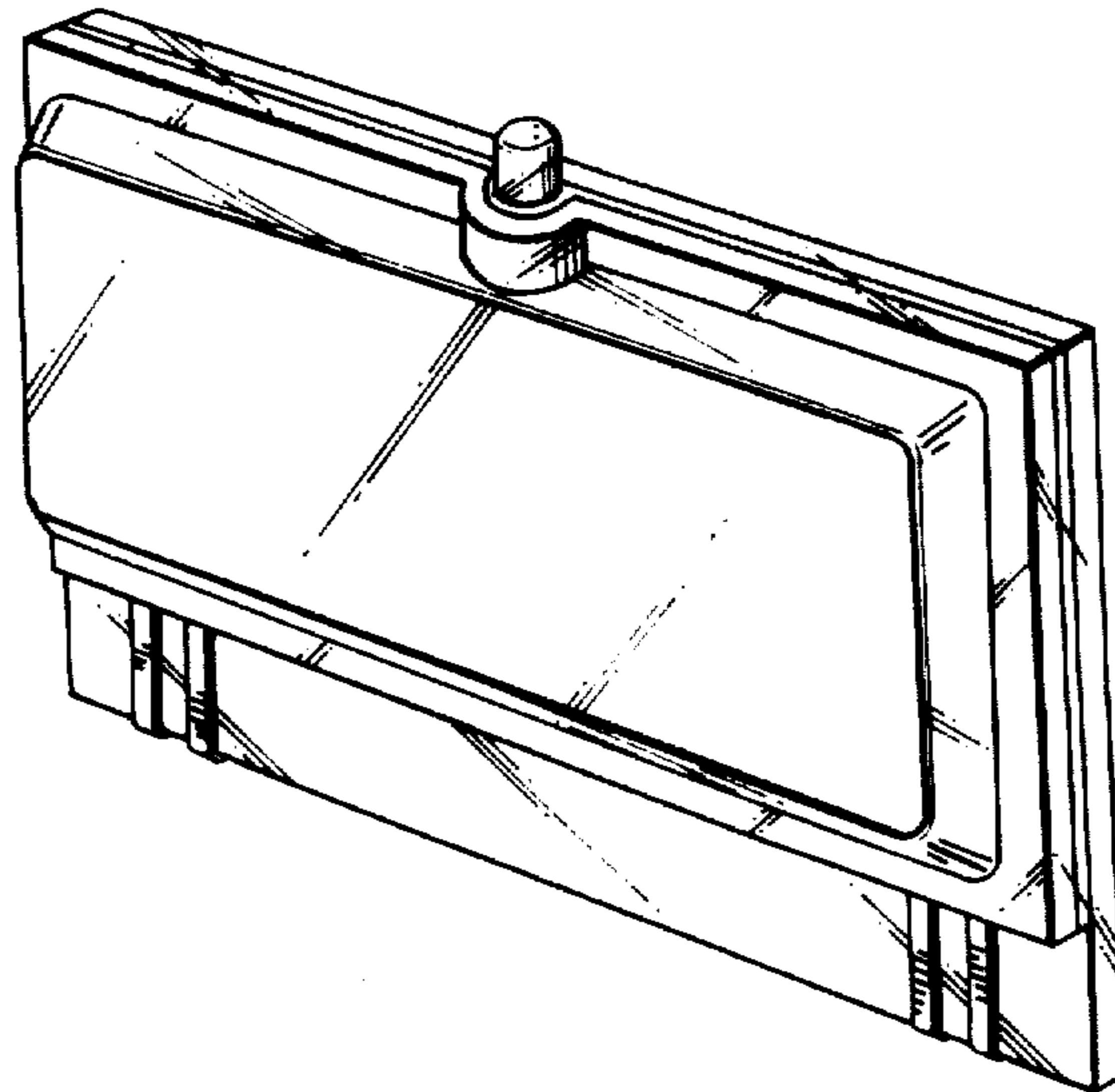


FIG. 1



FIG. 2

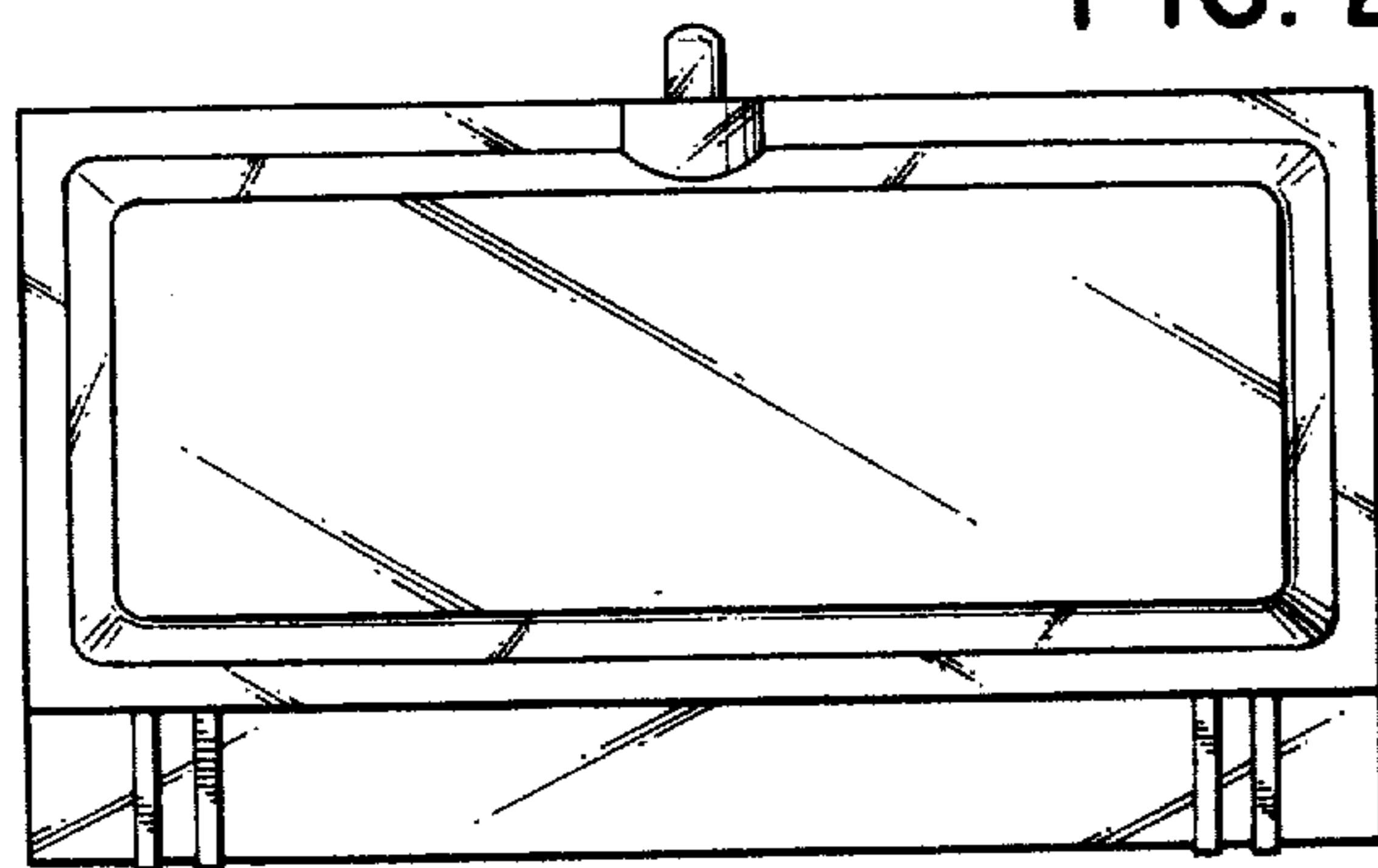


FIG. 3



FIG. 4

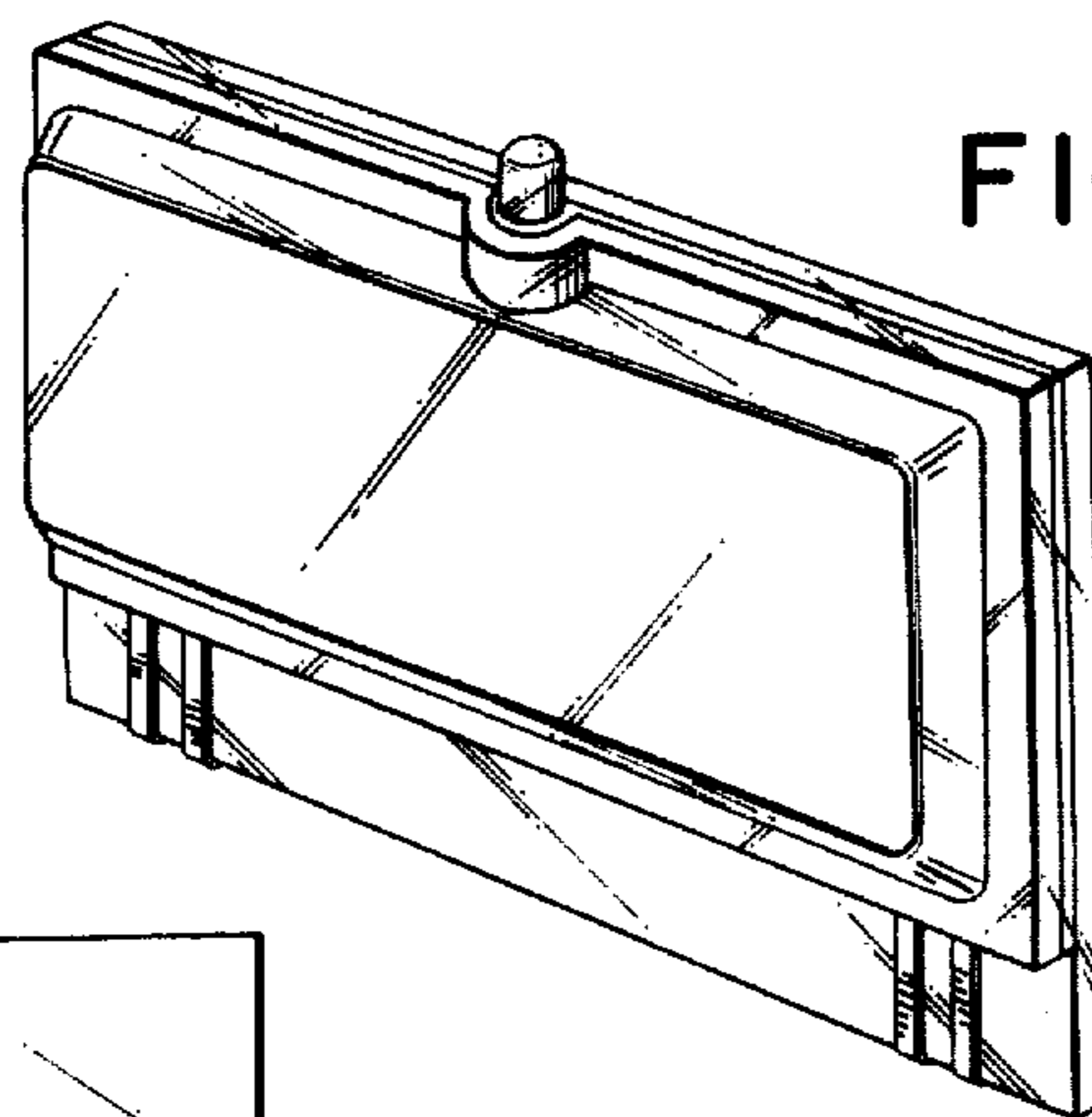


FIG. 5

