

[54] VENTILATING HOOD FOR AN ELECTROPLATING TANK

3,250,204 5/1966 Zurawski D26/76 X
4,066,825 1/1978 Eberle 98/115 VM X

[76] Inventors: Steve A. Acero, 21089 Lavina Ct., Cupertino, Calif. 95014; Edward L. Rougeau, 2592 Glade, Santa Clara, Calif. 95051

OTHER PUBLICATIONS

American Builder, Aug. 1960, p. 32, "UC-600" Item.

Primary Examiner—James R. Largen
Attorney, Agent, or Firm—Claude S. Hamrick

[**] Term: 14 Years

[57] CLAIM

[21] Appl. No.: 144,265

The ornamental design for a ventilating hood for an electroplating tank, substantially as shown and described.

[22] Filed: Apr. 28, 1980

[51] Int. Cl. D23-04

[52] U.S. Cl. D23/151

[58] Field of Search D23/140, 151; 98/115 R, 98/115 LH, 115 SB, 115 VM; D26/51, 75, 76, 77, 78

DESCRIPTION

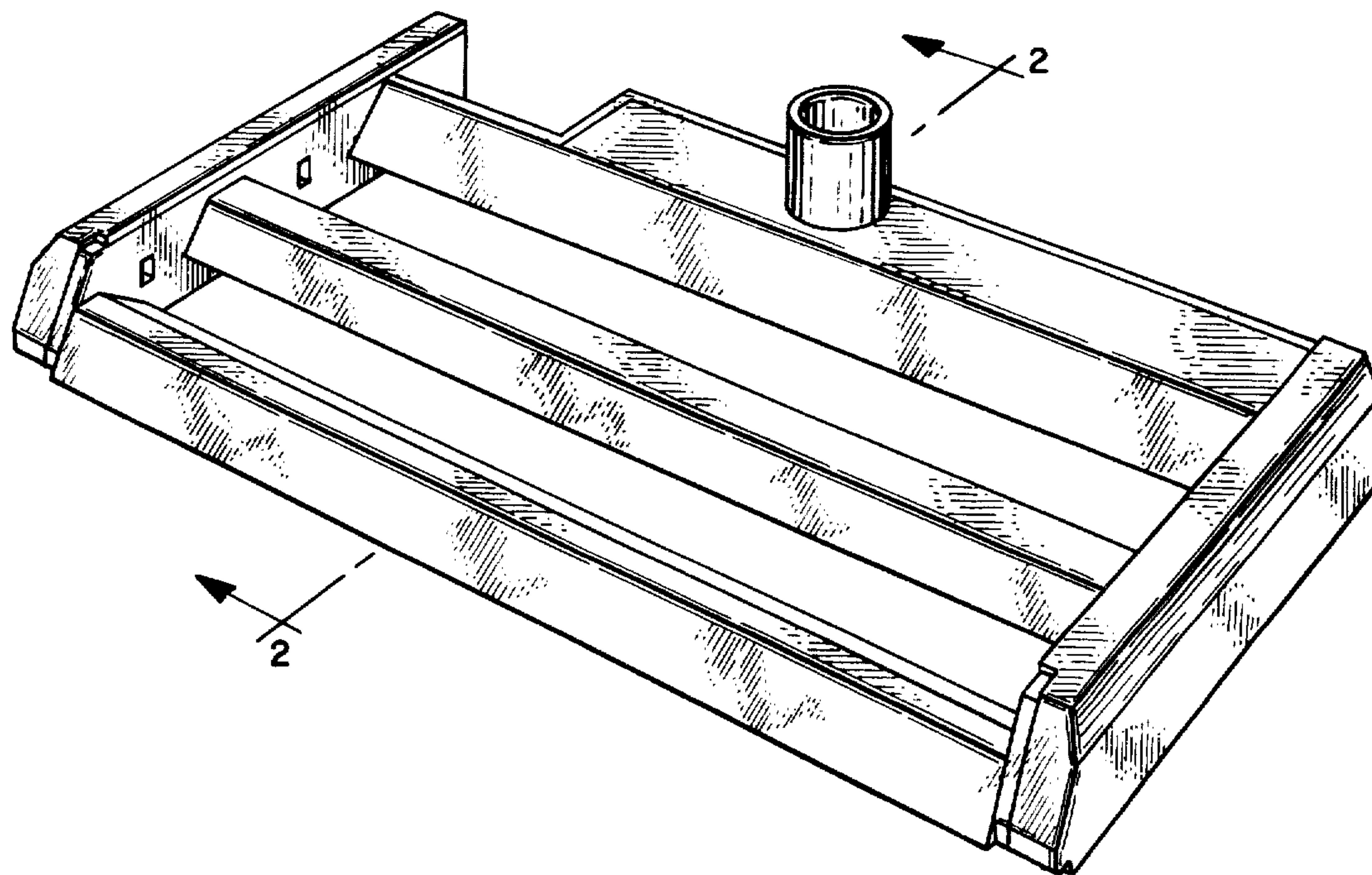
FIG. 1 is a perspective view showing a ventilating hood for an electroplating tank showing our new design; FIG. 2 is a cross-sectional view thereof taken along the line 2-2 of FIG. 1; FIG. 3 is a front elevational view thereof; FIG. 4 is a rear elevational view thereof; and FIG. 5 is a reduced scale bottom plan view thereof. FIGS. 3, 4 and 5 have a center portion broken away for convenience of illustration only.

[56]

References Cited

U.S. PATENT DOCUMENTS

D. 157,296 2/1950 Sonntag D23/151
D. 257,894 1/1981 Di Bernardo D26/75
D. 260,187 8/1981 Andersson D26/76 X



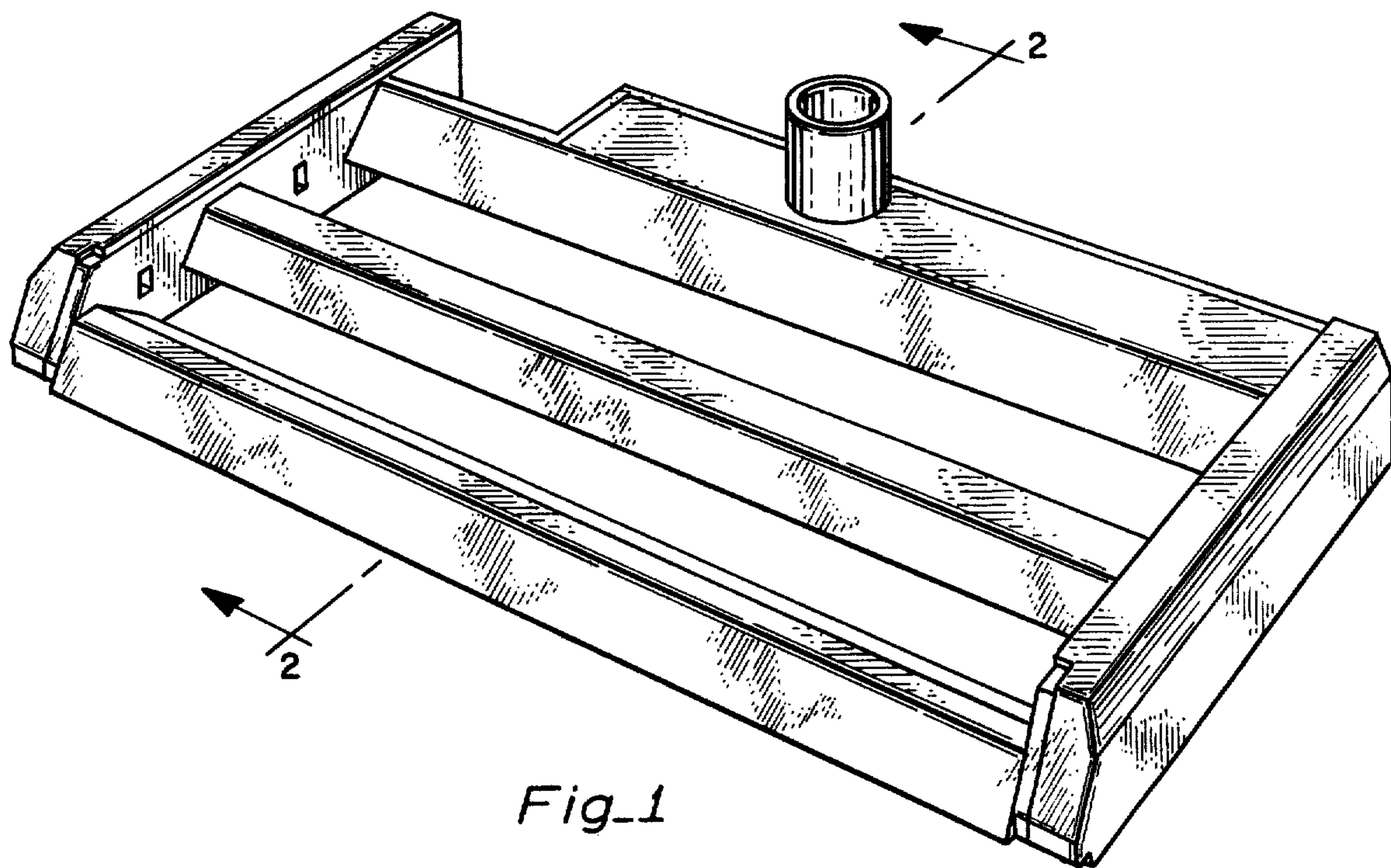


Fig-1

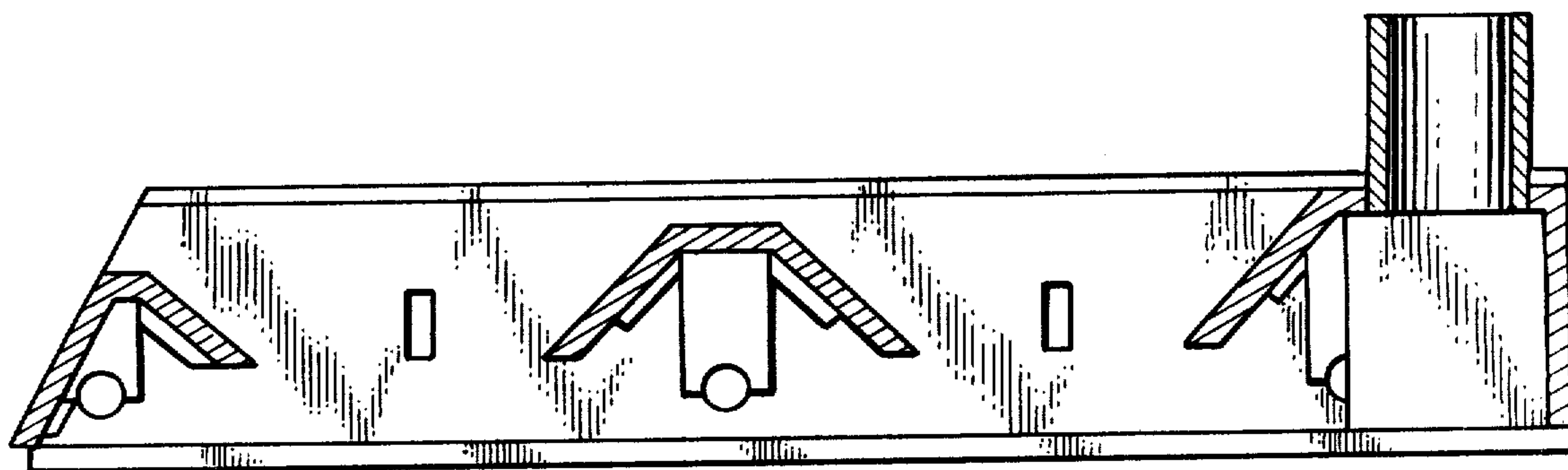
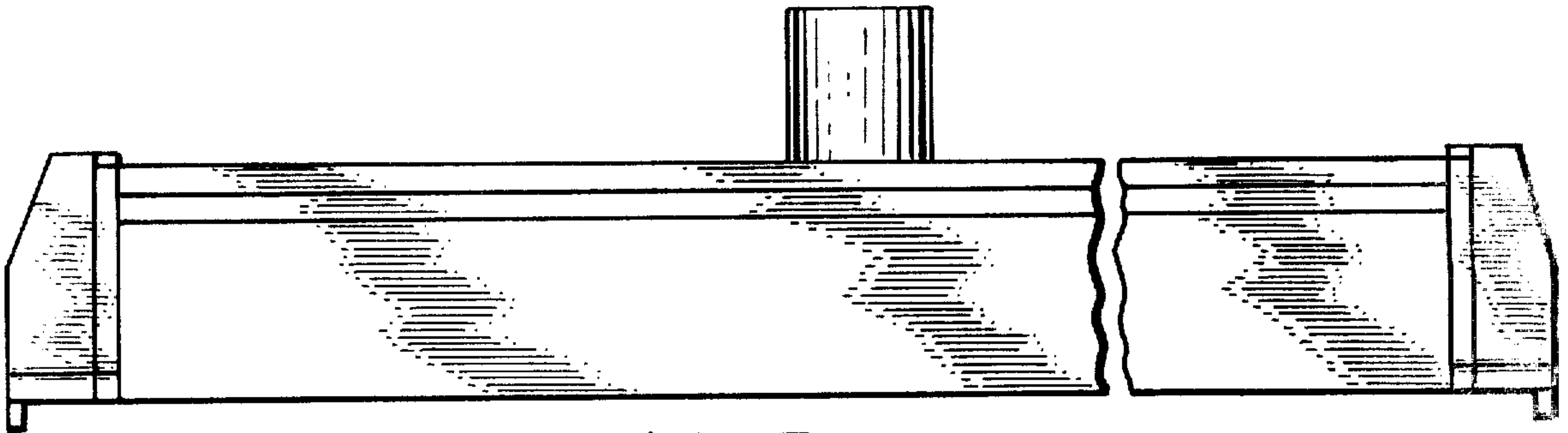
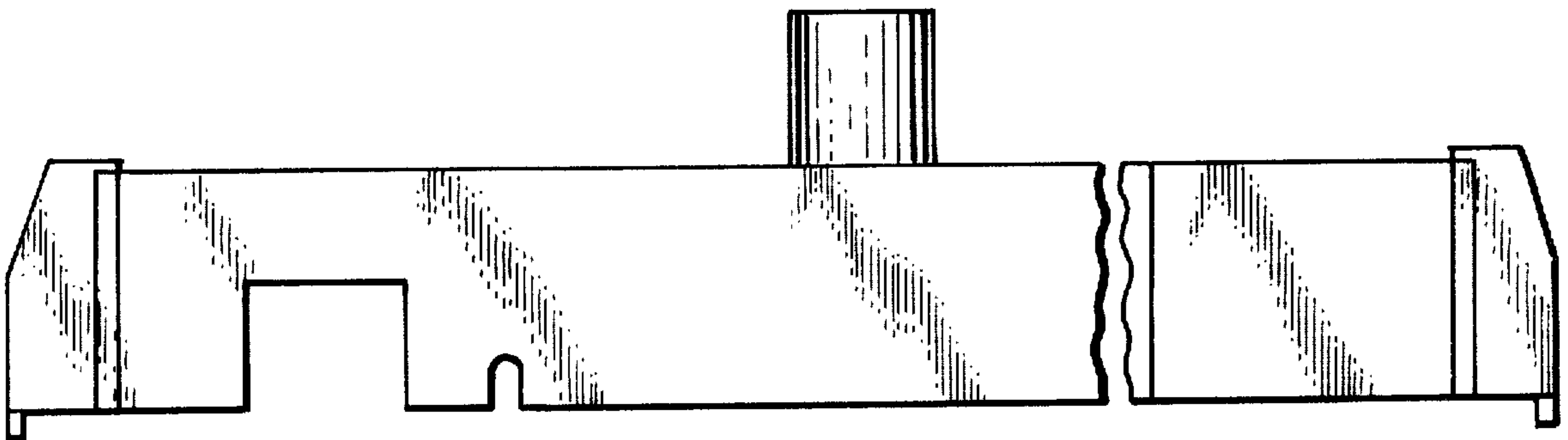


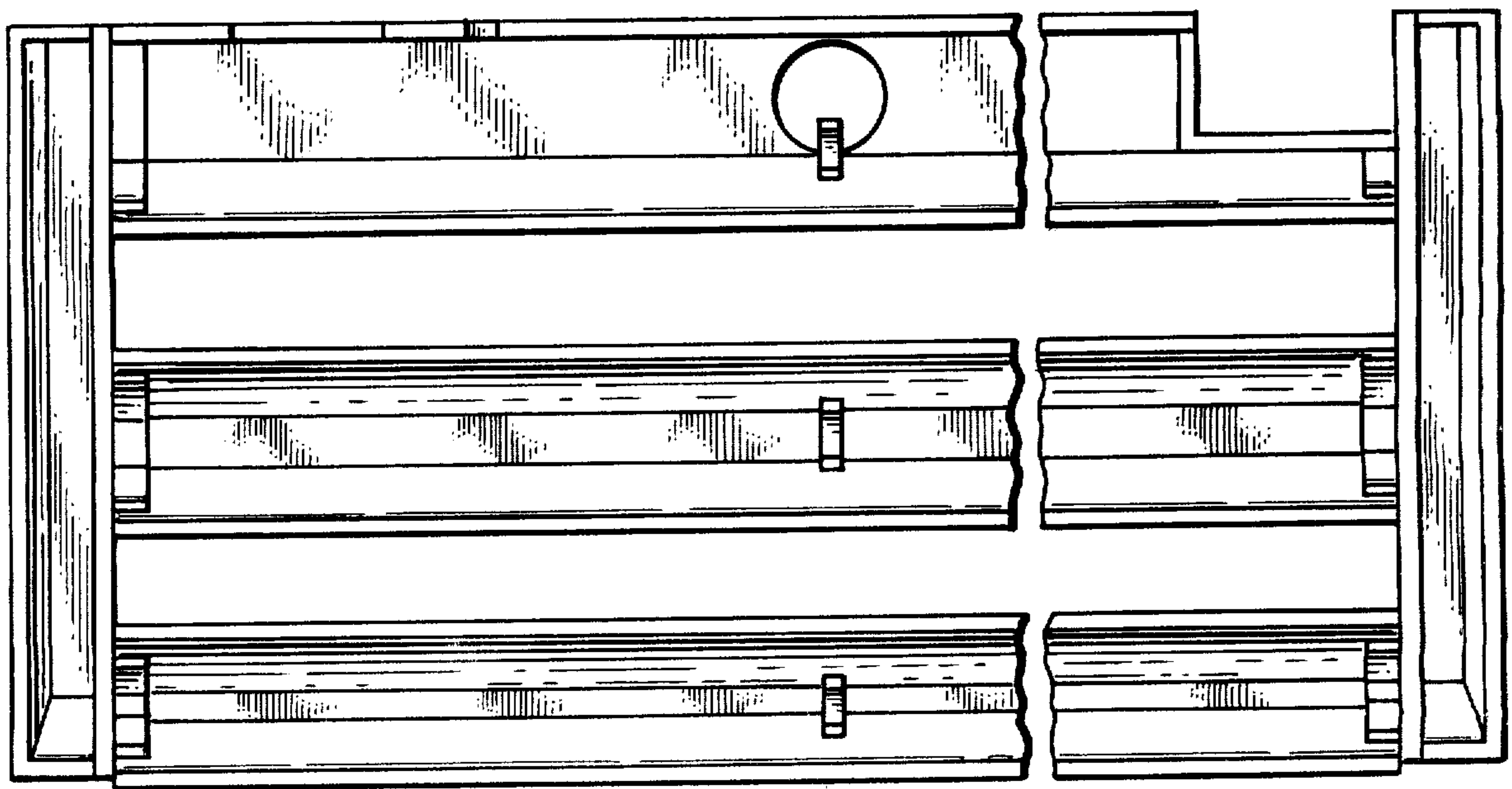
Fig-2



Fig_3



Fig_4



Fig_5