

[54] PORTABLE APPARATUS FOR PRINTING AND DISPENSING LABELS

[75] Inventor: Werner Becker, Hirschhorn, Fed. Rep. of Germany

[73] Assignee: Esselte Pendaflex Corporation, Garden City, N.Y.

[**] Term: 14 Years

[21] Appl. No.: 972,026

[22] Filed: Dec. 18, 1978

[30] Foreign Application Priority Data

Jun. 19, 1978 [DE] Fed. Rep. of Germany URA 578/78

[51] Int. Cl. D18-99

[52] U.S. Cl. D18/19

[58] Field of Search D18/14, 19; D21/127; 101/288; 156/384, DIG. 48, DIG. 49

[56] References Cited

U.S. PATENT DOCUMENTS

D. 228,364	9/1973	Lee	D18/19
3,911,817	10/1975	Becker et al.	101/288
4,096,800	6/1978	Kistner et al.	101/288 X
4,149,462	4/1979	Sato	101/288 X

OTHER PUBLICATIONS

Gifts & Decorative Accessories, 7/73, p. 268—Hand Pricer at bottom right center.

Primary Examiner—Louis S. Zarfes
Attorney, Agent, or Firm—Gerald J. Ferguson, Jr.; Joseph J. Baker

[57] CLAIM

The ornamental design for a portable apparatus for printing and dispensing labels, as shown and described.

DESCRIPTION

FIG. 1 is a right side elevational view of a portable apparatus for printing and dispensing labels showing my new design;

FIG. 2 is a rear elevational view thereof;

FIG. 3 is a front elevational view thereof;

FIG. 4 is a left side elevational view thereof;

FIG. 5 is a top plan view thereof;

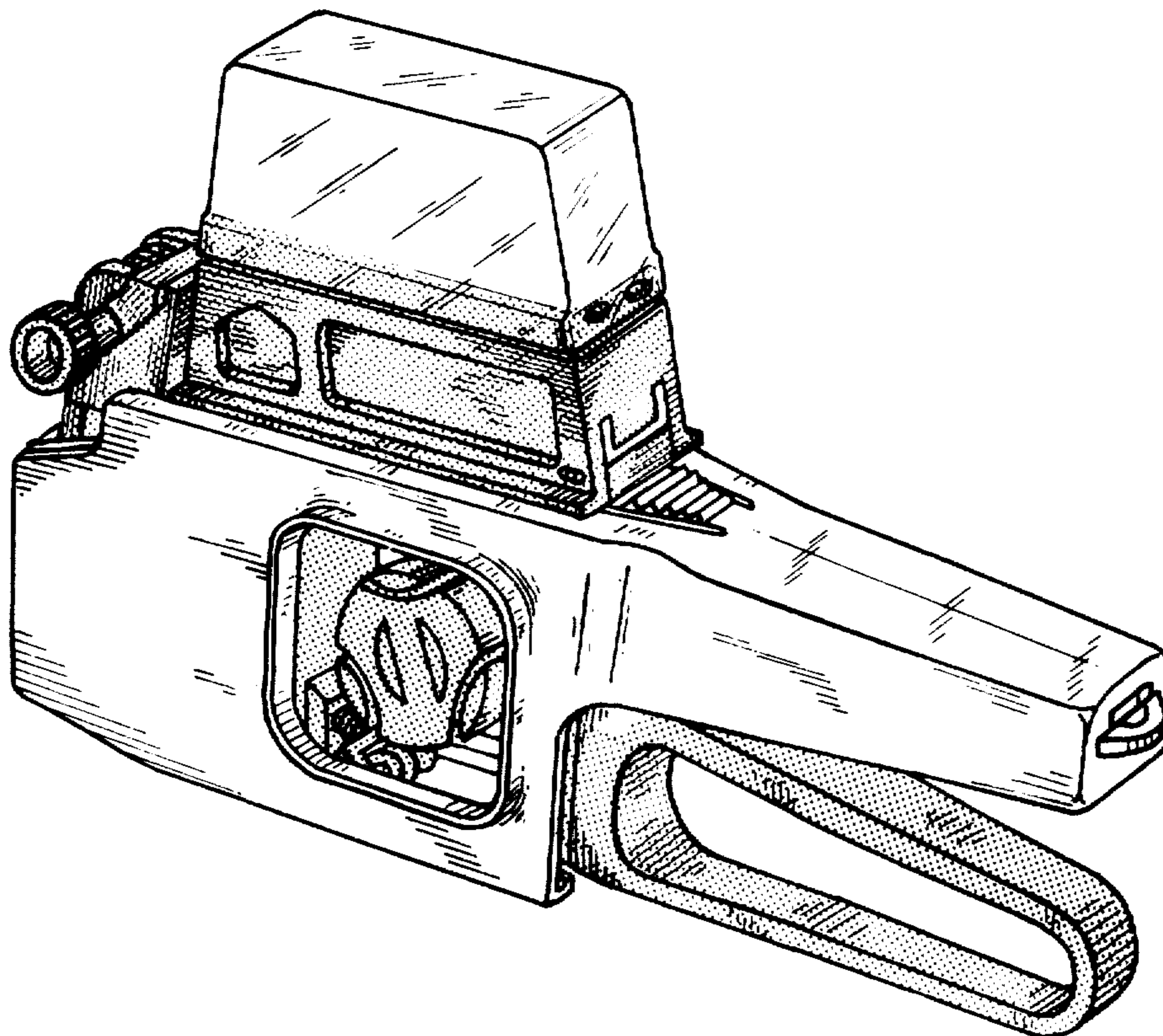
FIG. 6 is a bottom plan thereof;

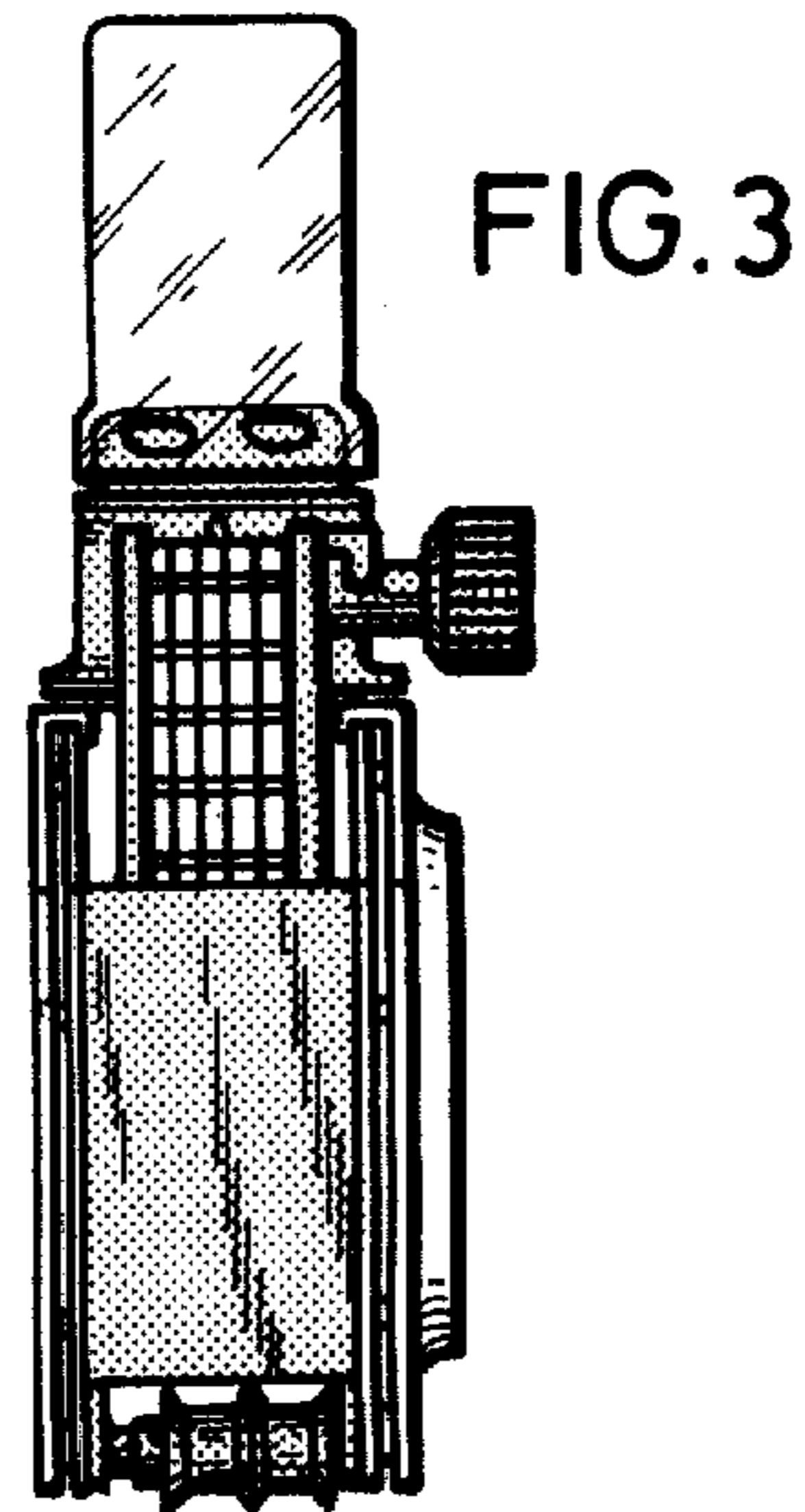
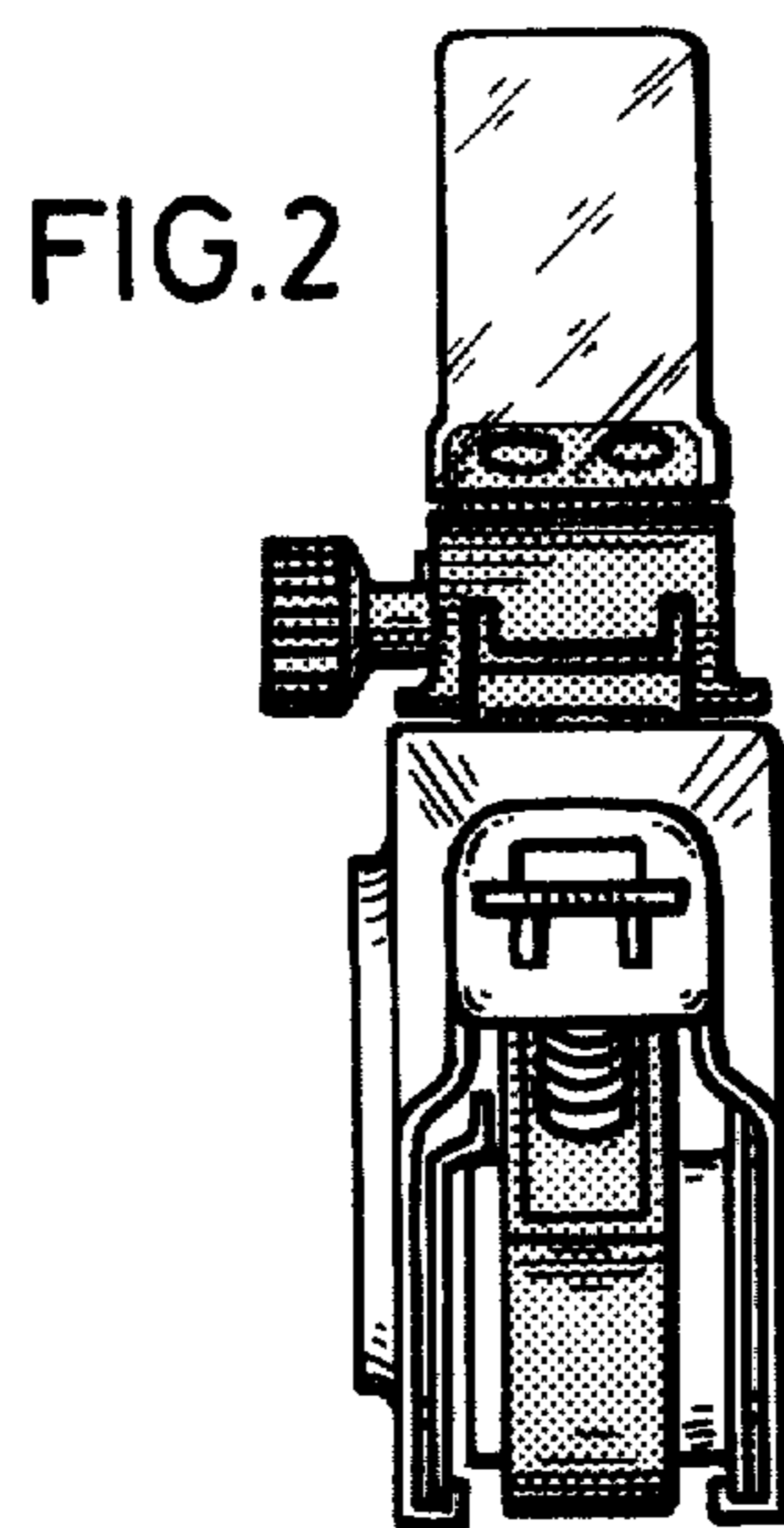
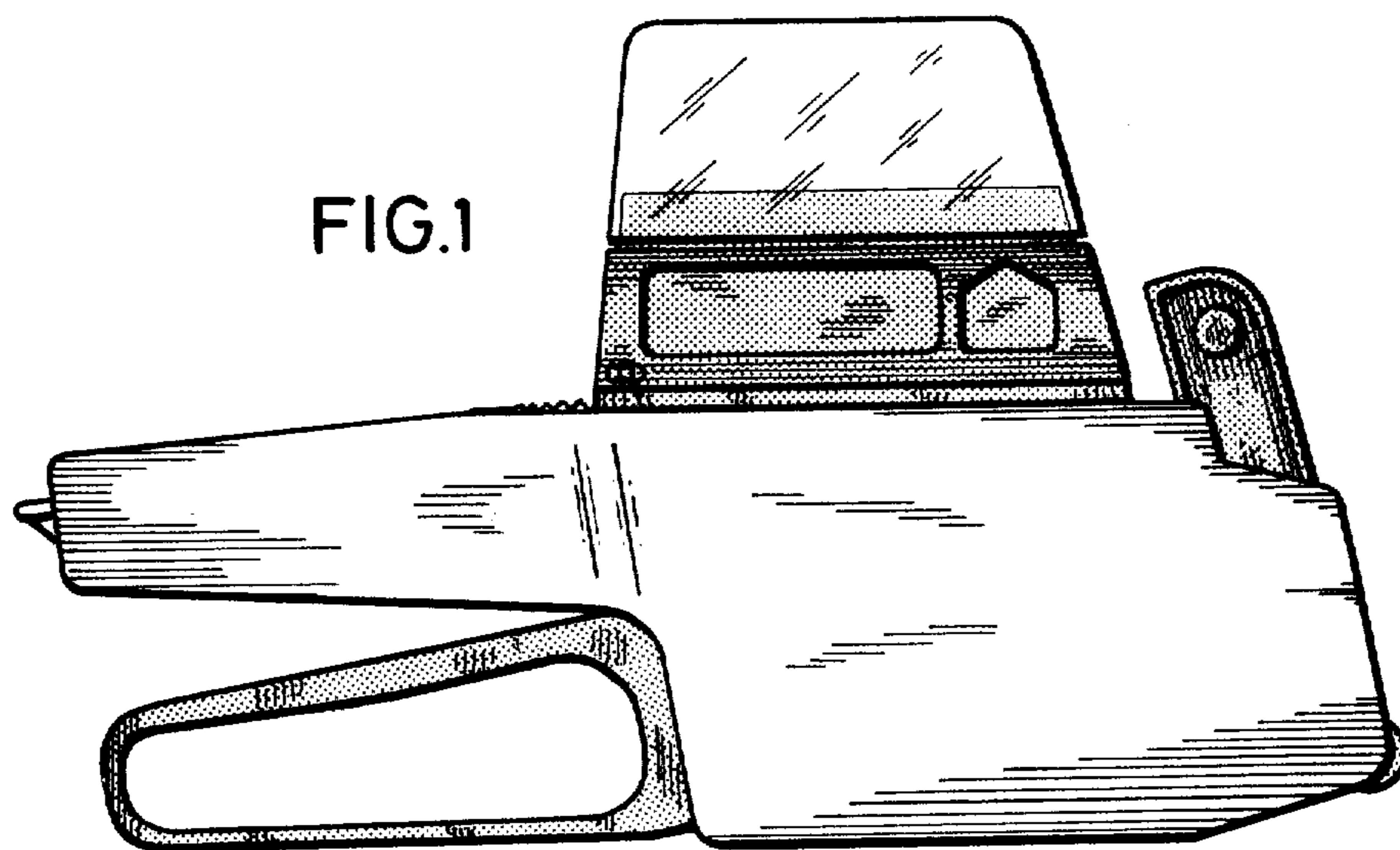
FIG. 7 is a right side perspective view thereof from one direction and

FIG. 8 is a left side perspective view thereof from the opposite direction;

FIG. 9 is a left side elevational view of the portable apparatus for printing and dispensing labels with the housing cover pushed back and the label box tilted up and

FIG. 10 is a left side perspective view thereof.





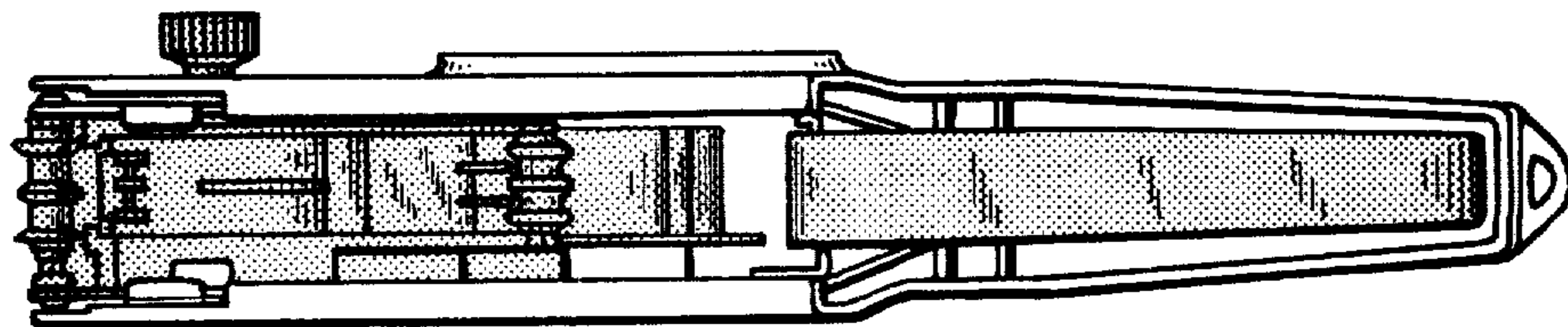
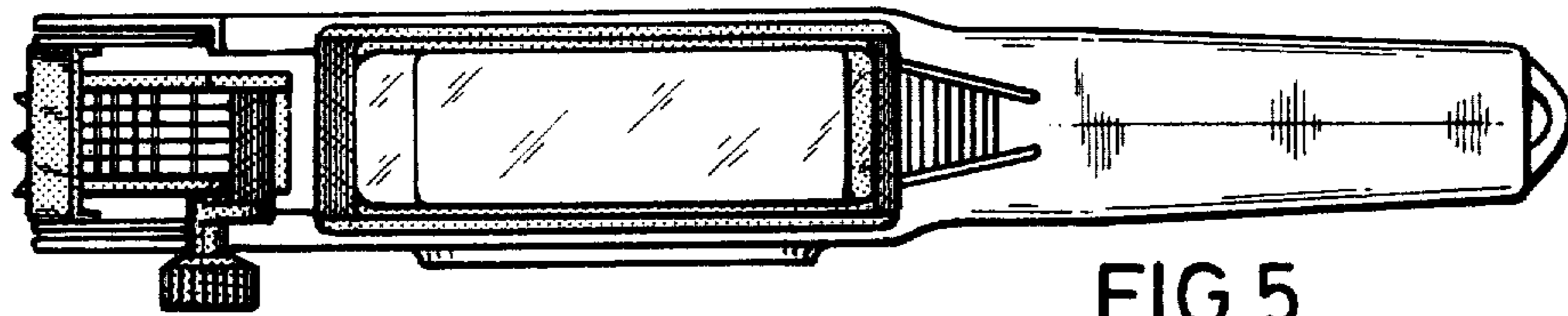
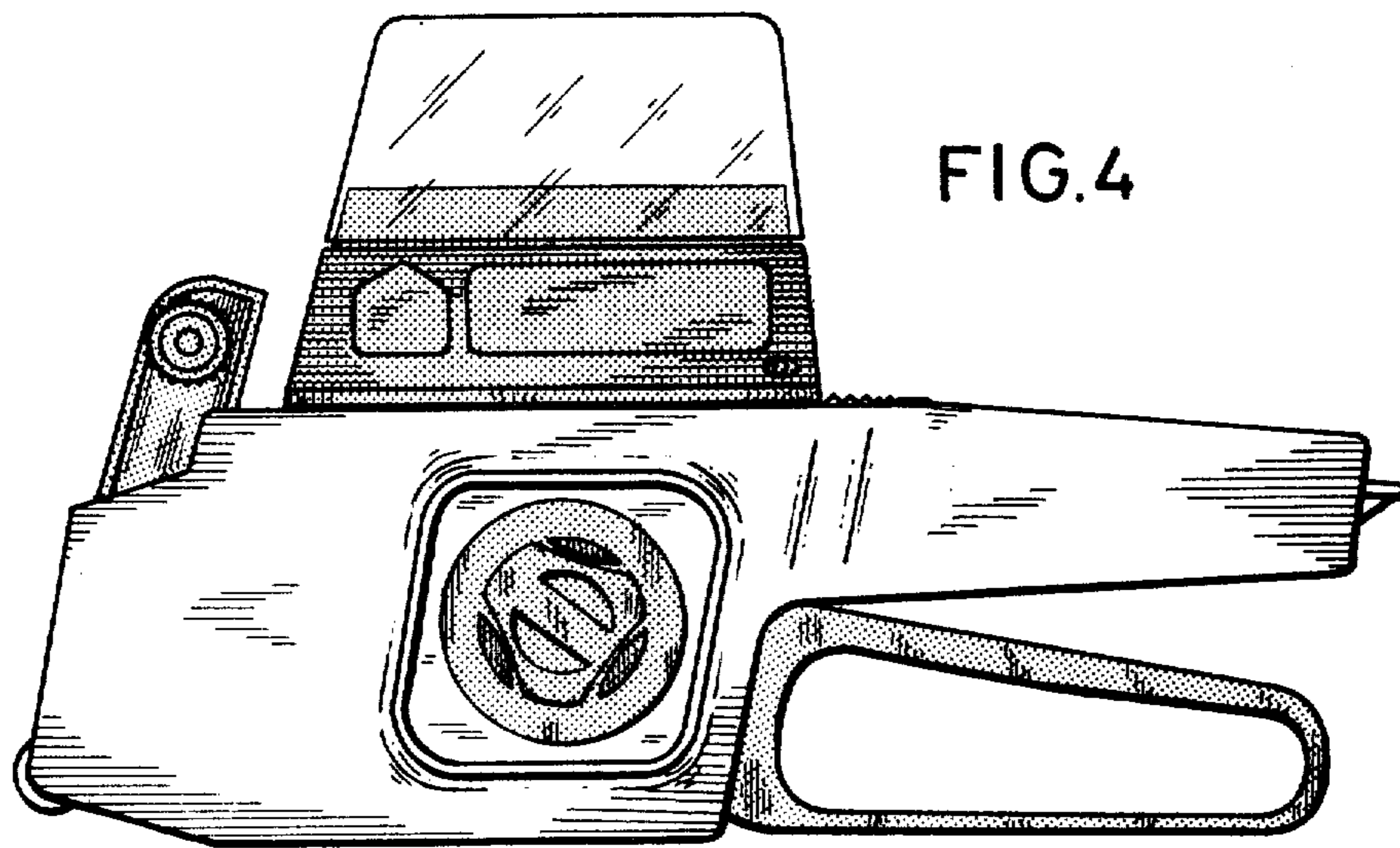
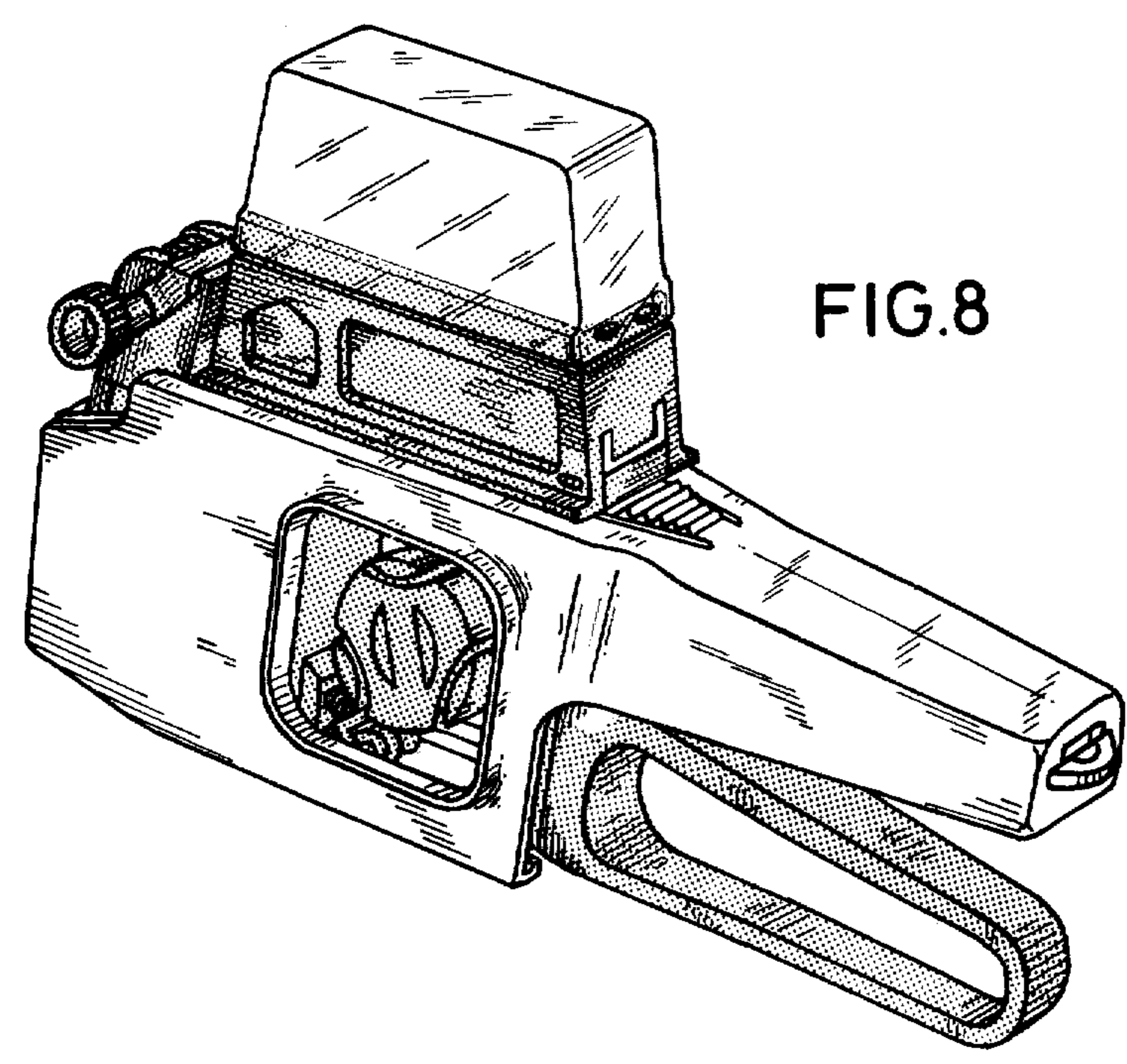
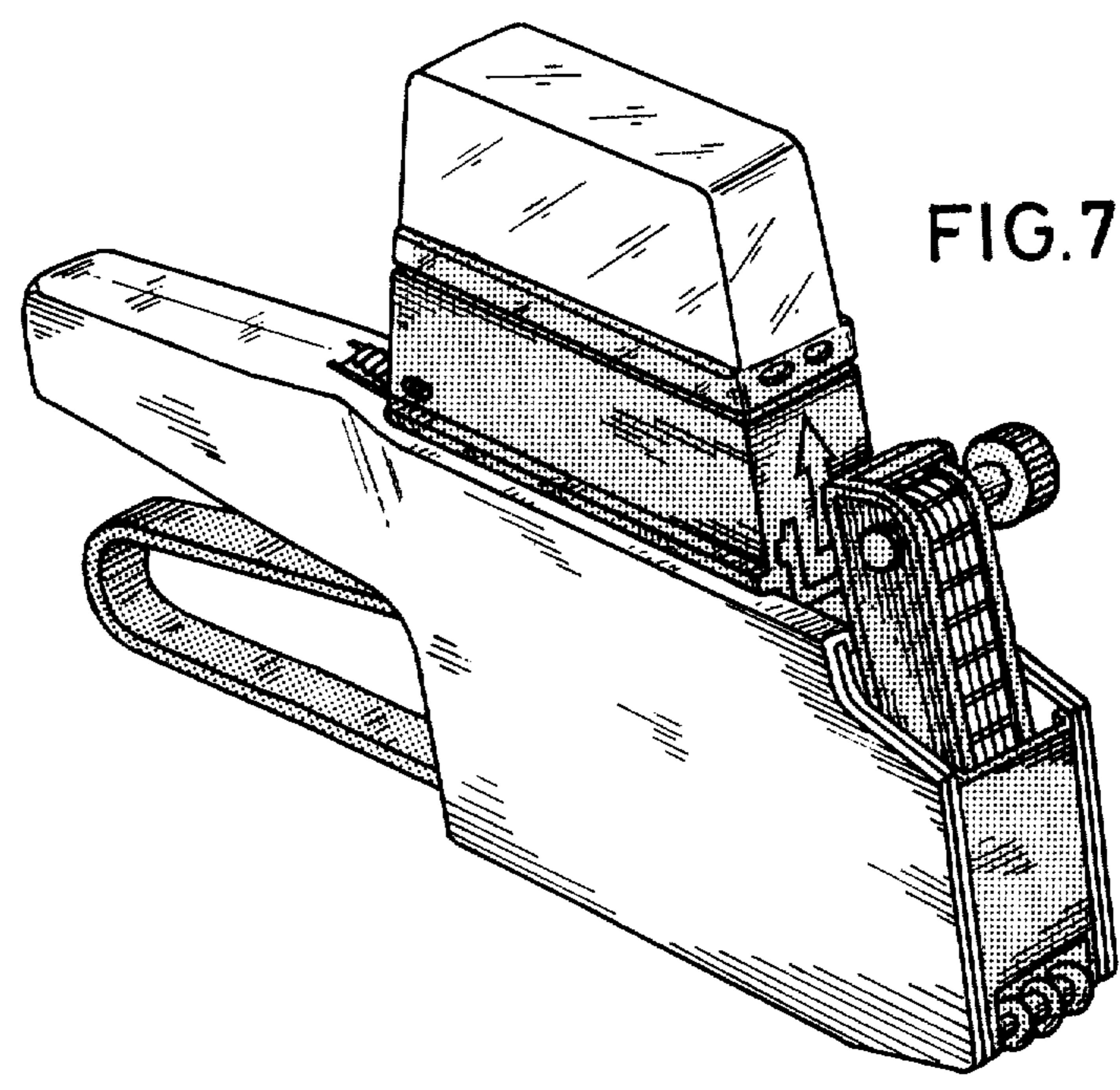


FIG. 4

FIG. 5

FIG. 6



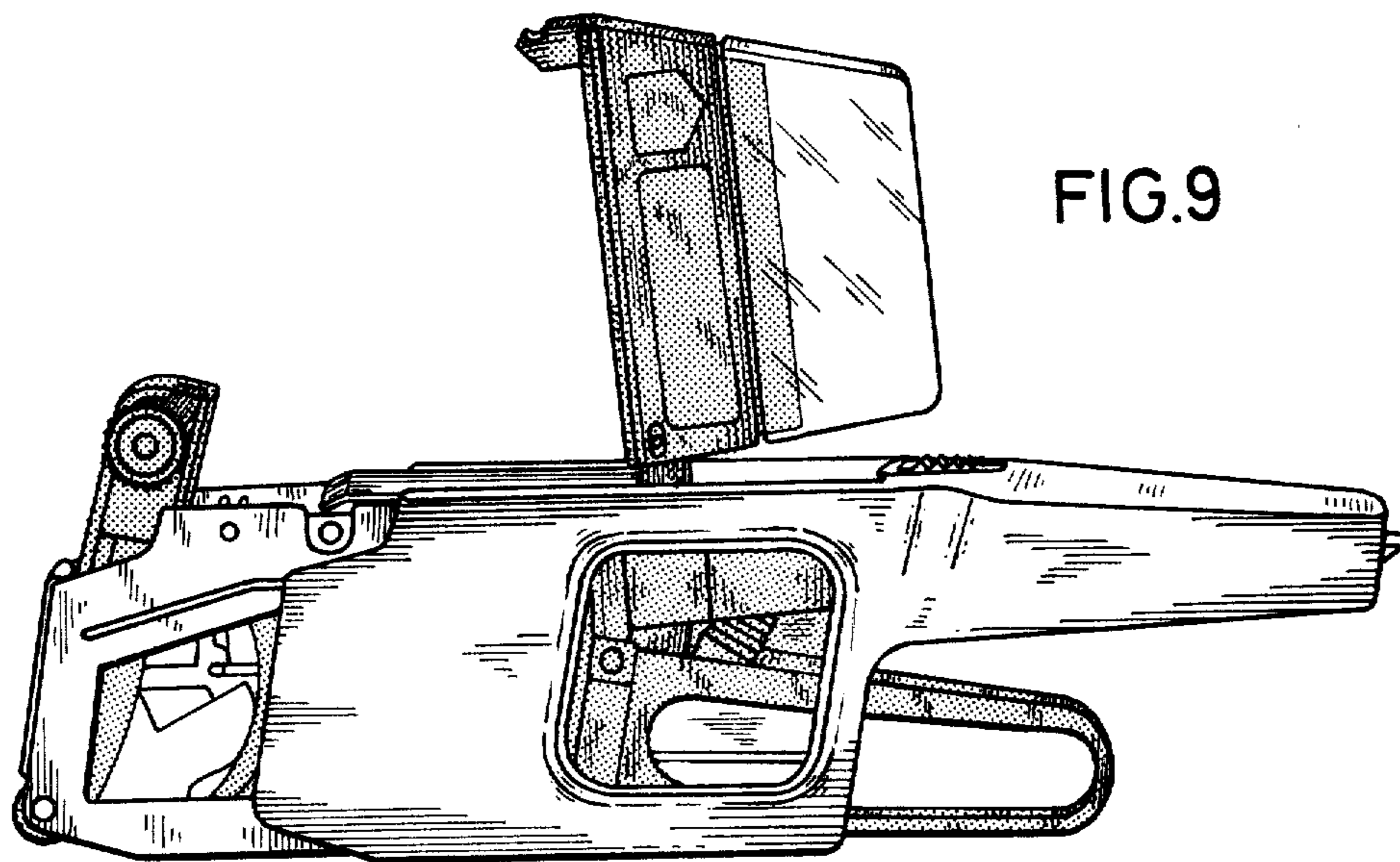


FIG. 9

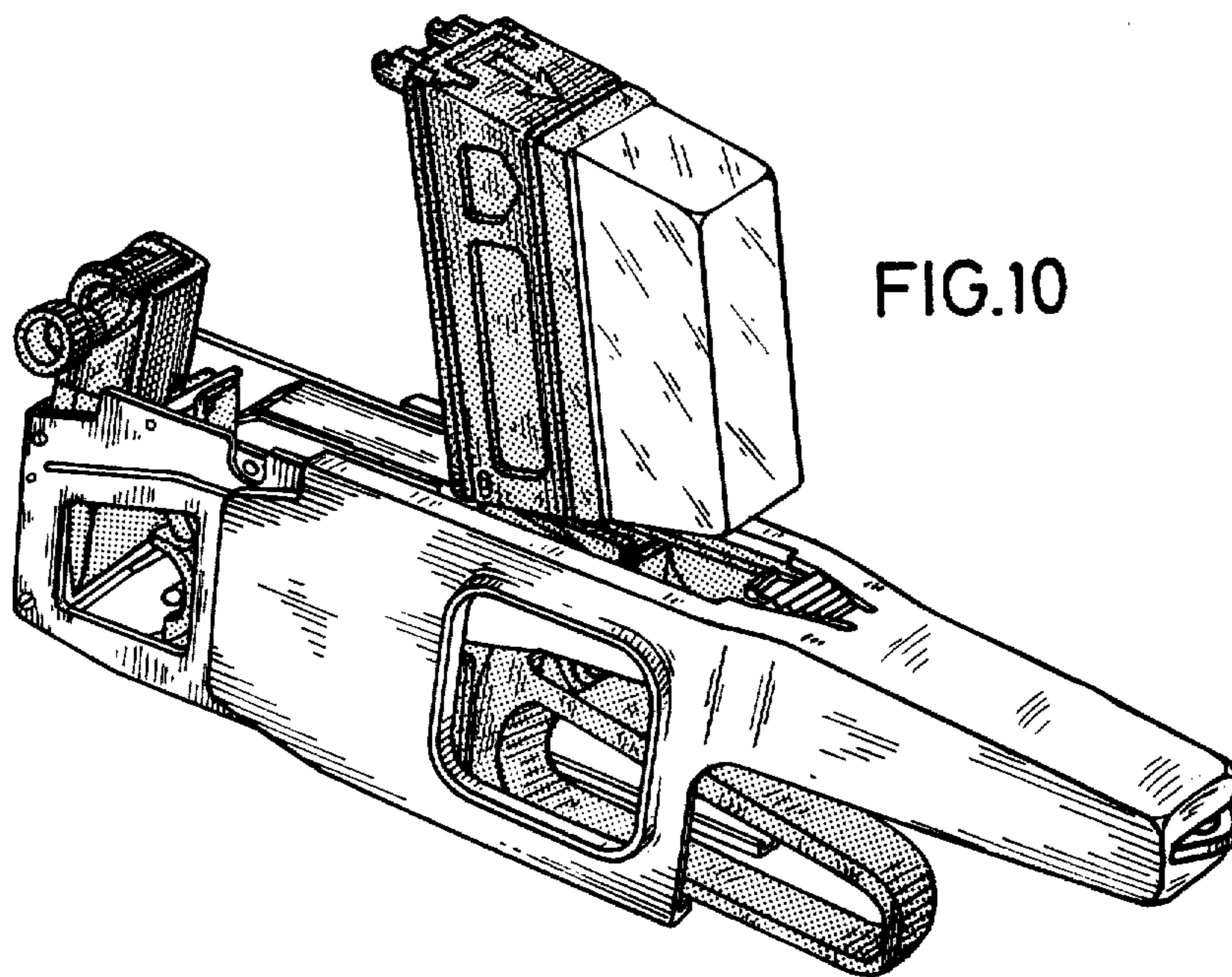


FIG. 10