

[54] CHAIN CUTTER

3,892,155 7/1975 Gerlach 83/635
4,257,295 3/1981 Patel 83/635

[76] Inventor: Everett E. Cook, West View Rd.,
Wakefield, R.I. 02879

Primary Examiner—B. J. Bullock
Attorney, Agent, or Firm—Barlow & Barlow

[**] Term: 14 Years

[57] CLAIM

[21] Appl. No.: 168,032

The ornamental design for a chain cutter, as shown.

[22] Filed: Jul. 14, 1980

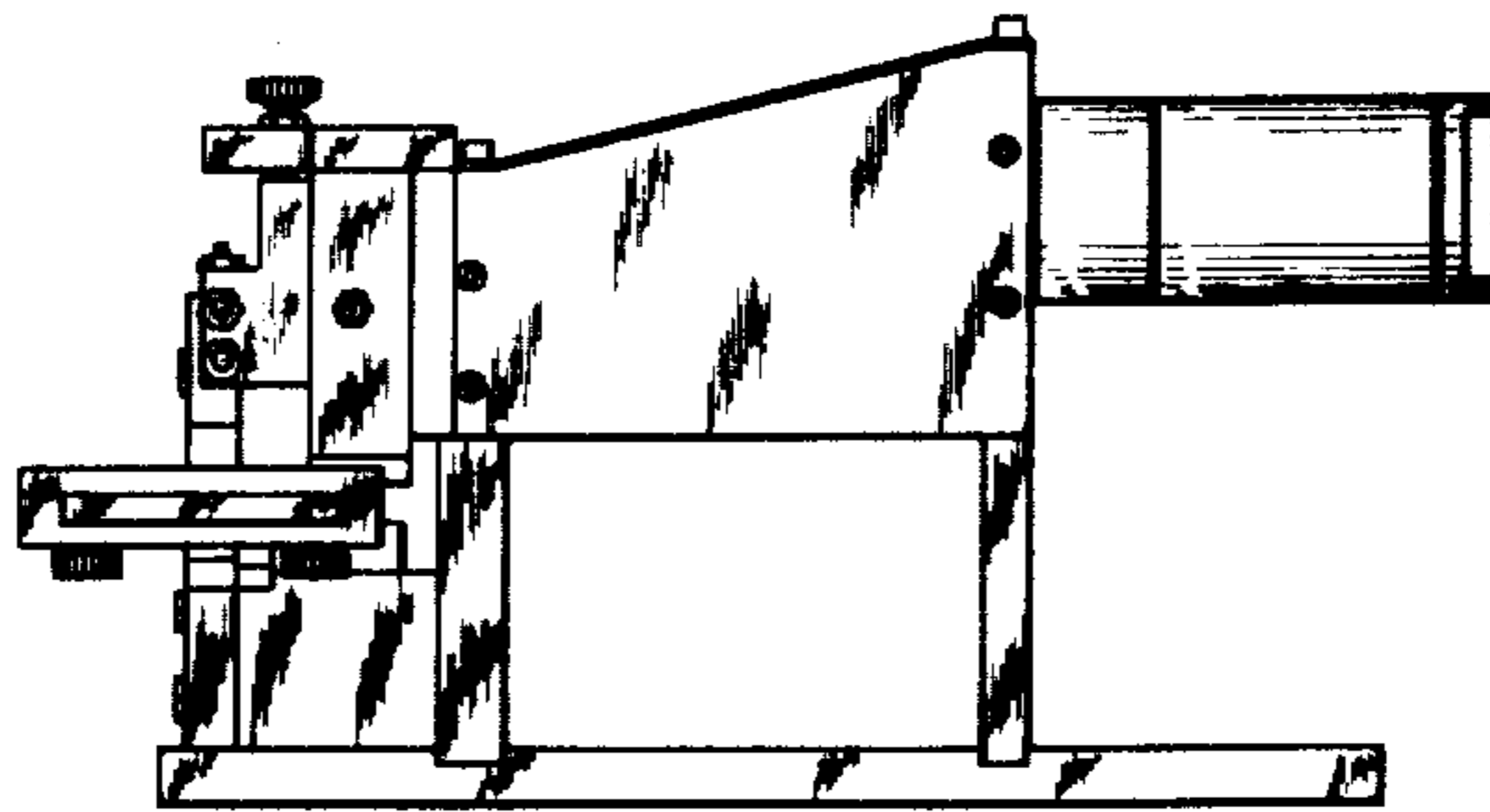
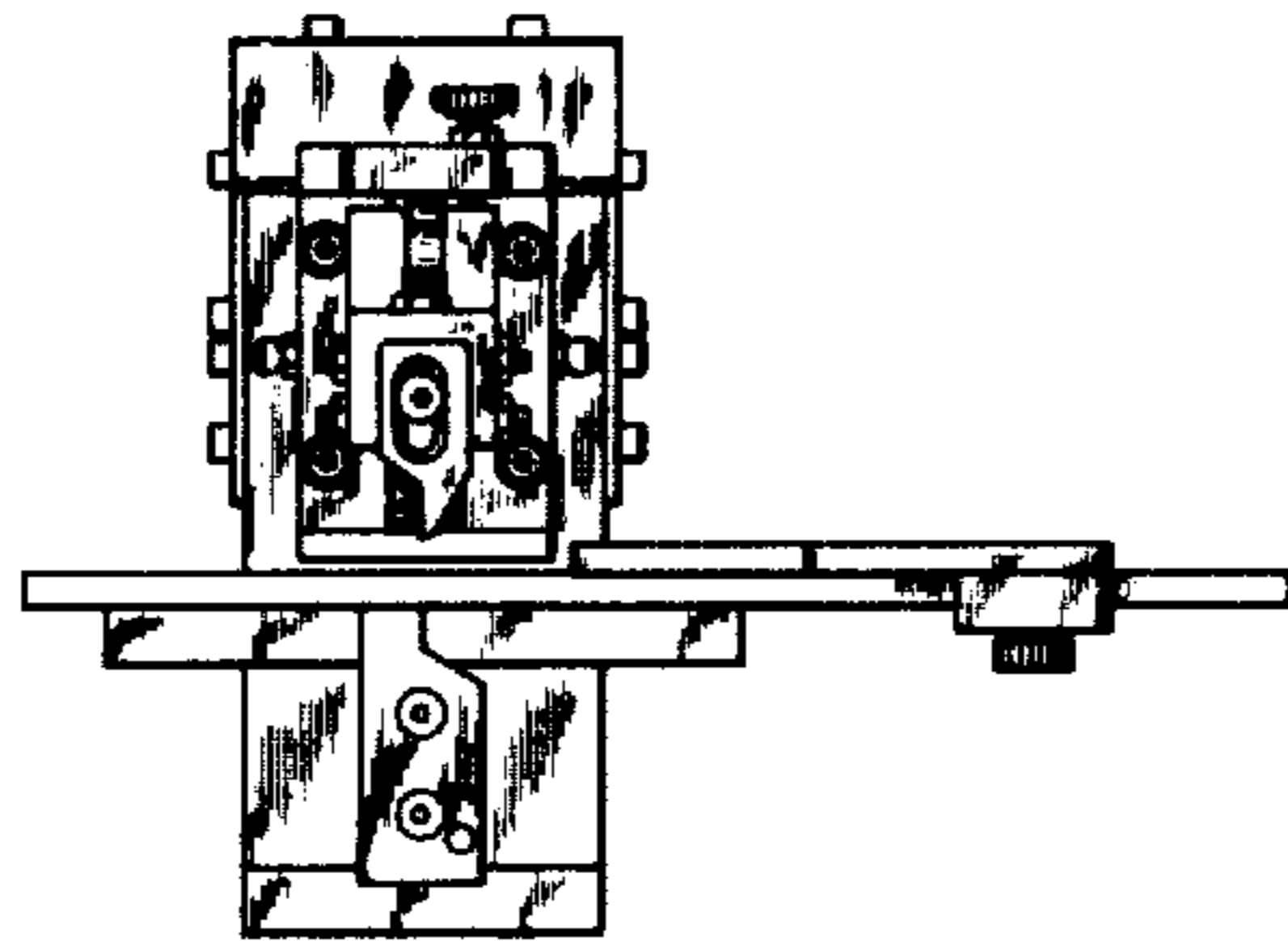
DESCRIPTION

[51] Int. Cl. D15—09
[52] U.S. Cl. D15/129; D15/127
[58] Field of Search D15/122, 127, 129, 199;
83/635, 859

FIG. 1 is a side elevational view of a chain cutter showing my new design, taken from the left of FIG. 2;
FIG. 2 is a front elevational view thereof;
FIG. 3 is a side elevational view thereof, taken from the right of FIG. 2;
FIG. 4 is a top plan view thereof;
FIG. 5 is a bottom plan view thereof; and
FIG. 6 is a rear elevational view thereof.

[56] References Cited
U.S. PATENT DOCUMENTS

D. 138,899 9/1944 Hercik D15/129



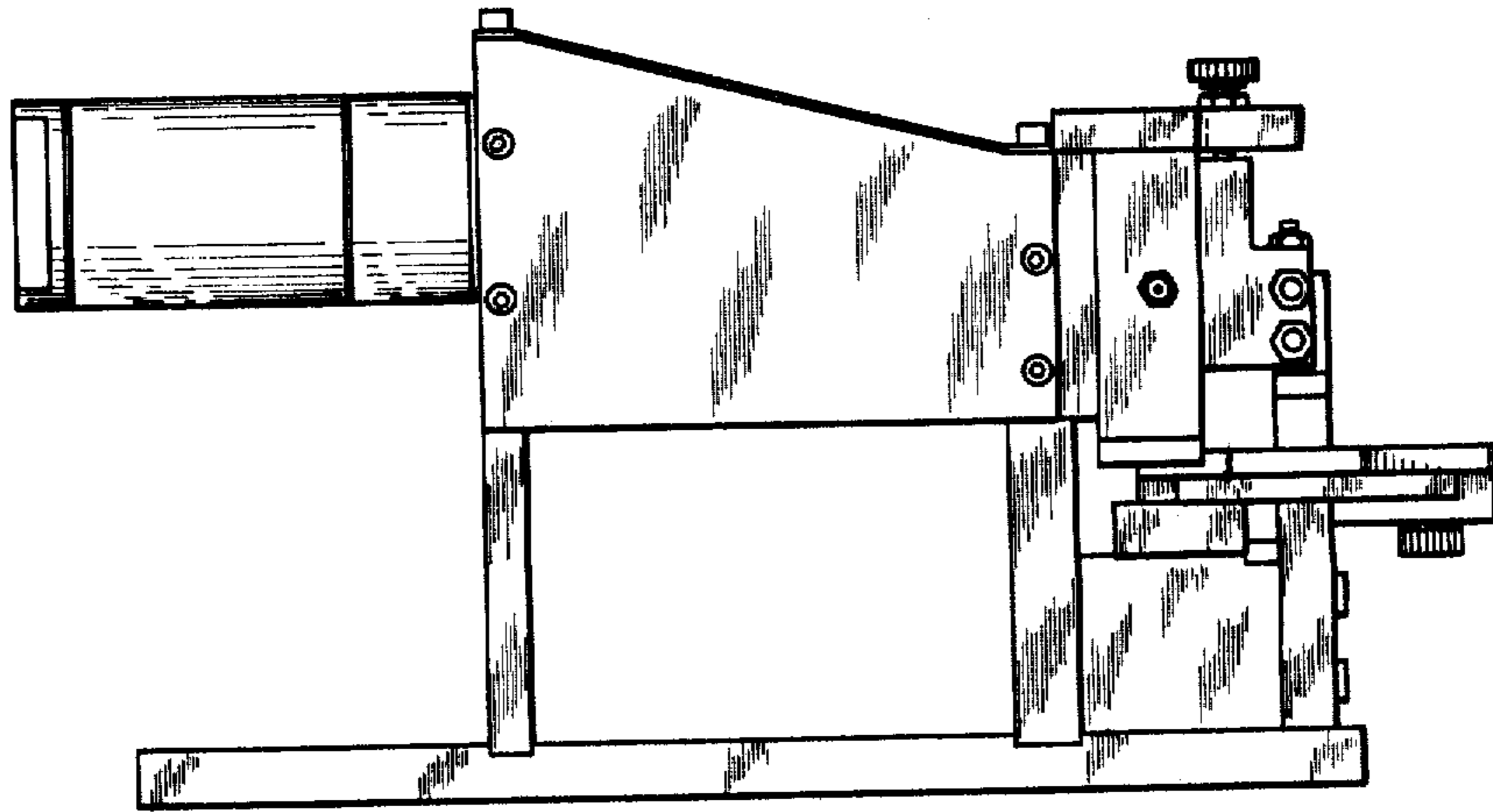


FIG. 1

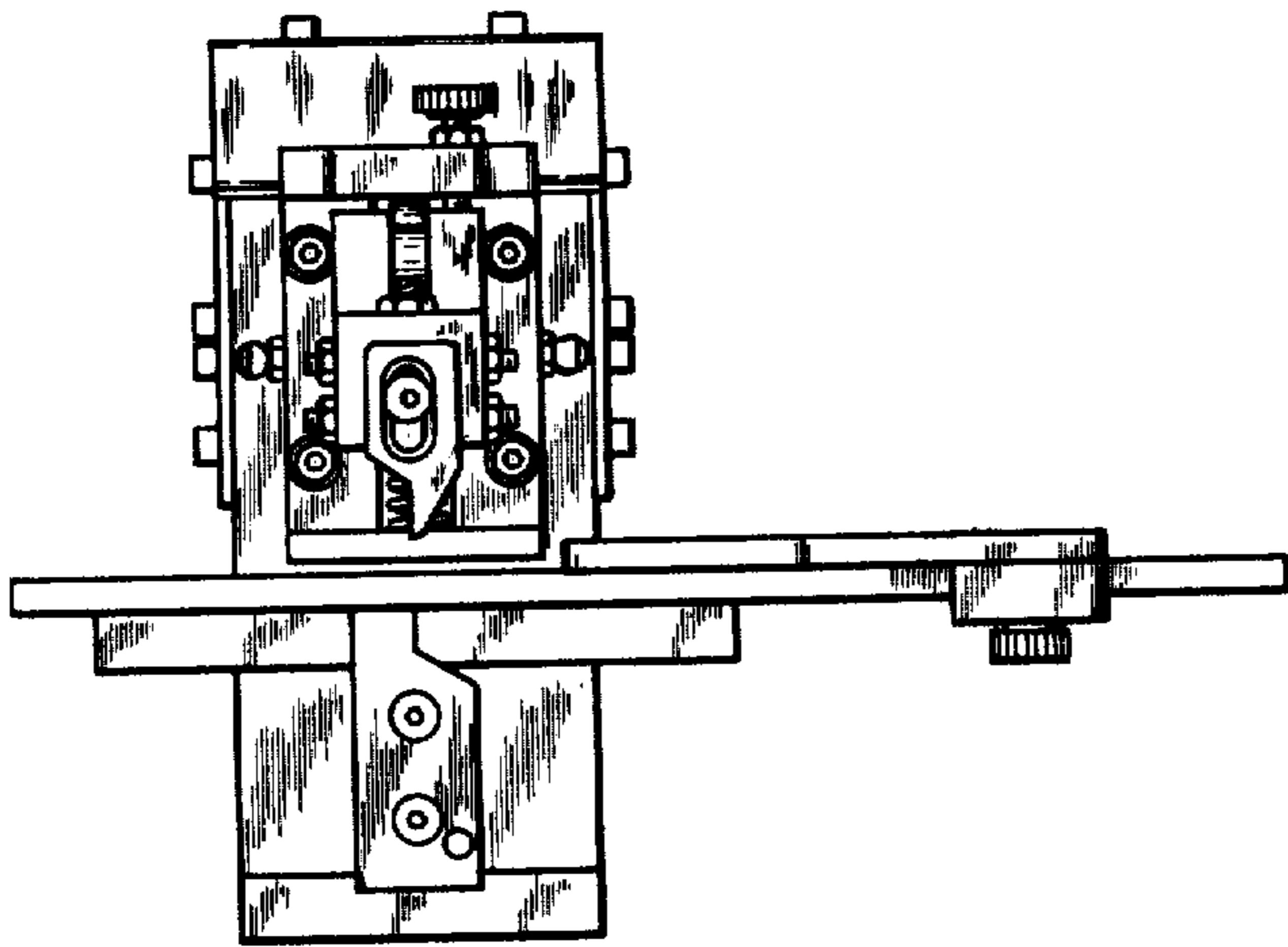


FIG. 2

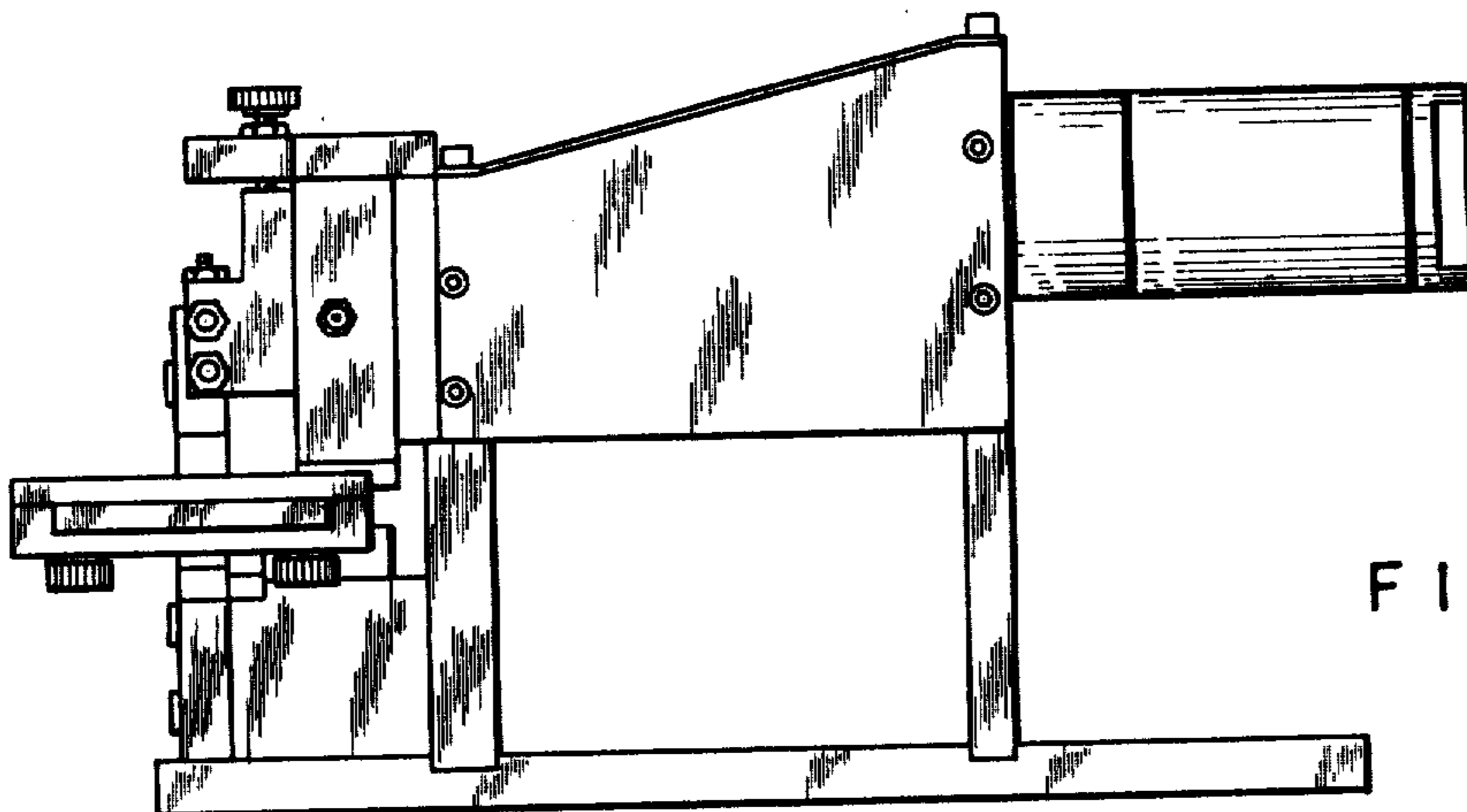


FIG. 3

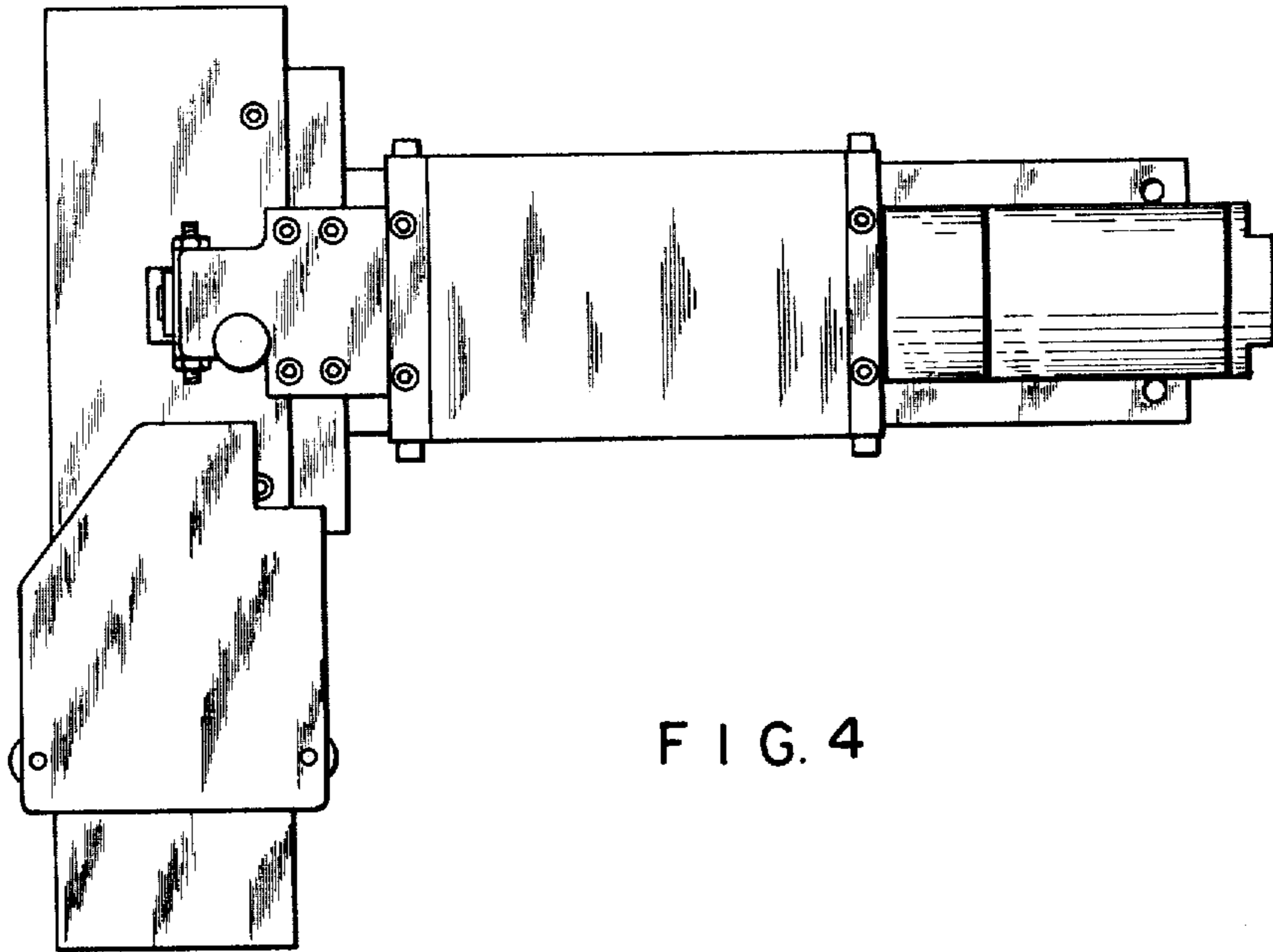


FIG. 4

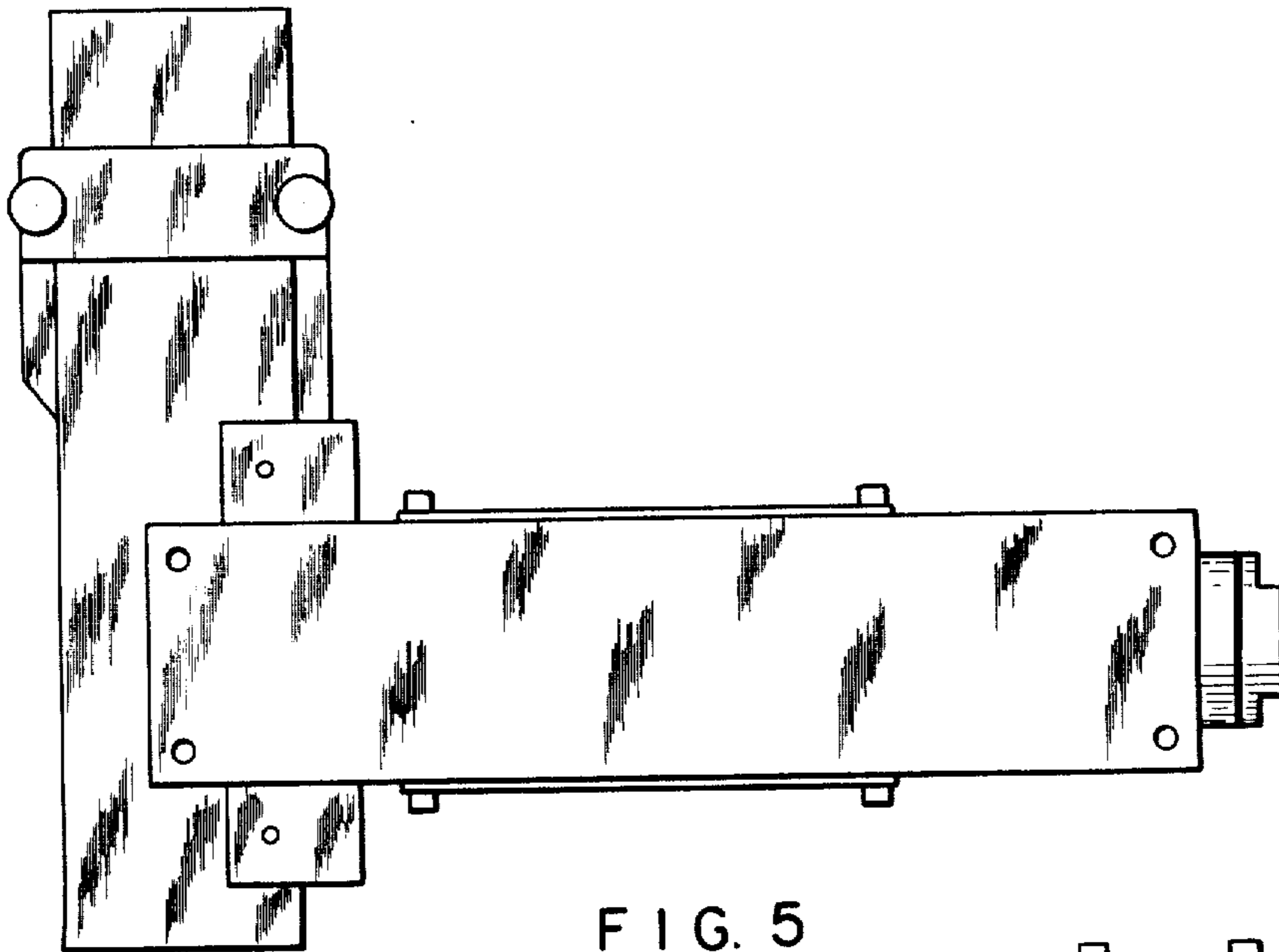


FIG. 5

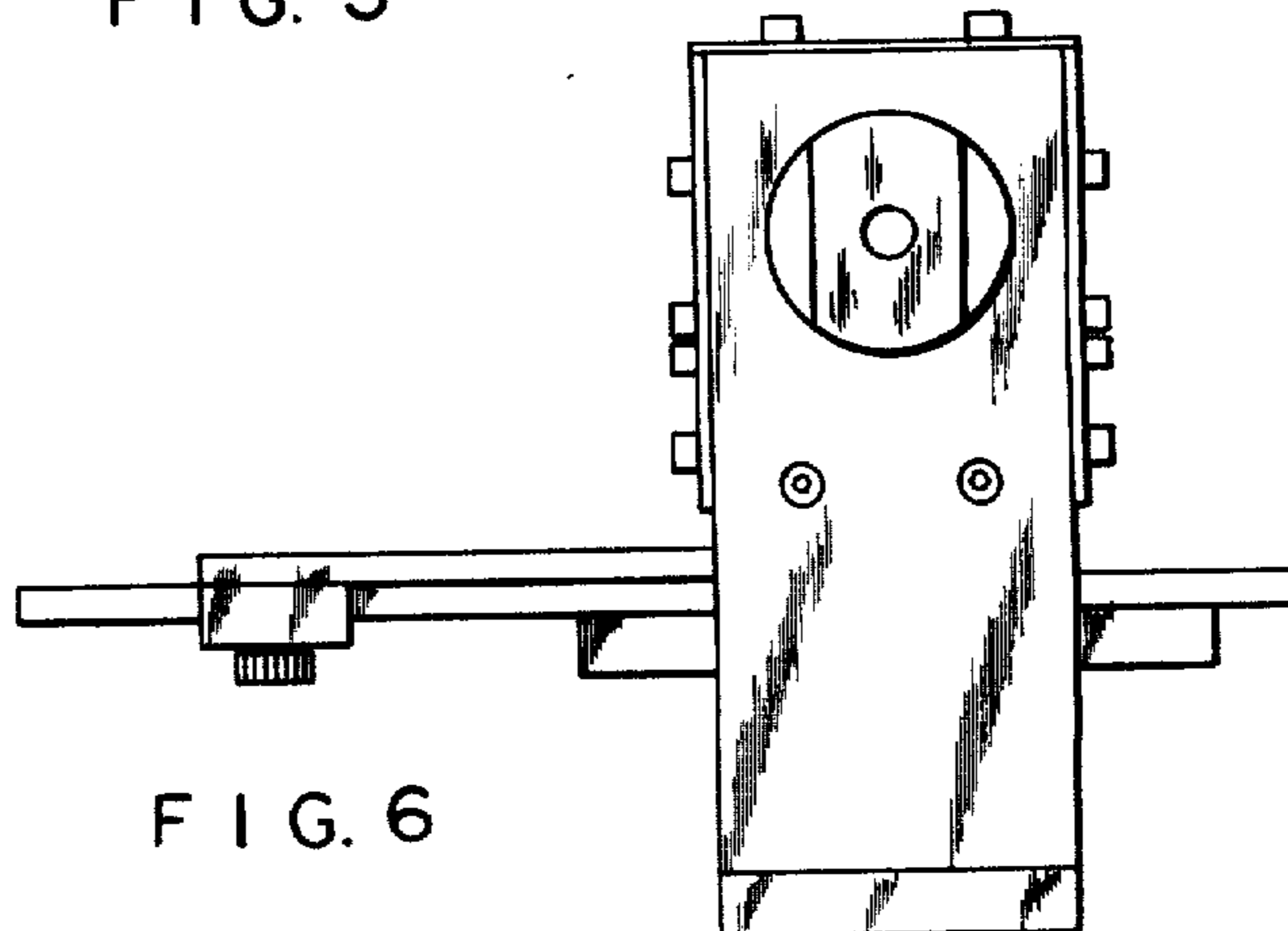


FIG. 6