

[54] **LINING TILE FOR AN ABRASIVE BLASTING MACHINE**

[75] Inventor: **William G. G. Tutton**, Belper, England

[73] Assignee: **Auto Alloys R&D Ltd.**, Derbyshire, England

[**] Term: **14 Years**

[21] Appl. No.: **87,571**

[22] Filed: **Oct. 23, 1979**

[30] **Foreign Application Priority Data**
 Apr. 24, 1979 [GB] United Kingdom 989626

[51] Int. Cl. **D15—09; D25—01**

[52] U.S. Cl. **D15/126; D15/138; D25/80**

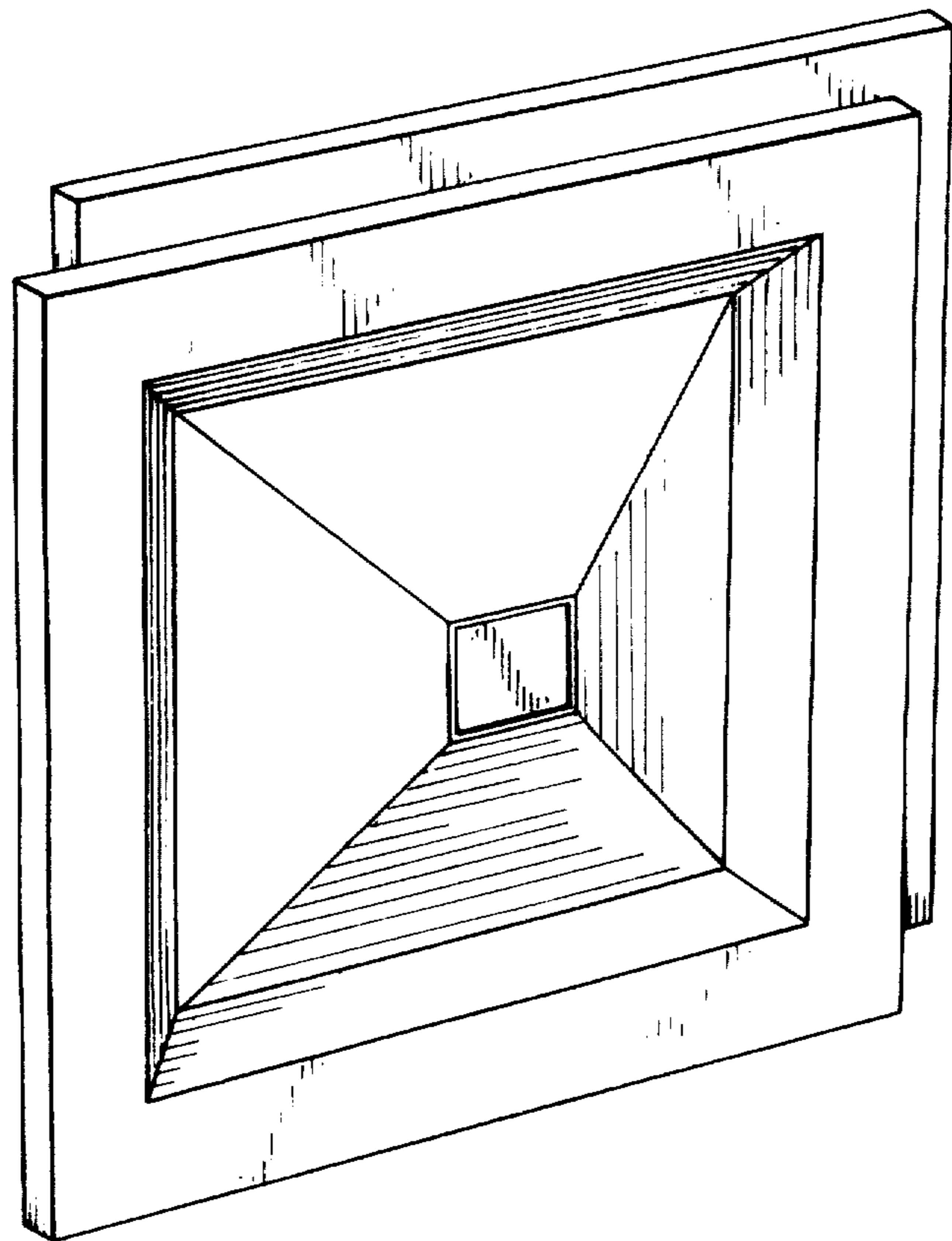
[58] **Field of Search** D15/124-126, D15/138; 52/384, 541, 592; D25/80, 92; 51/241 R, 262 R, 268, 269, 410, 422, 436, 1

[56] **References Cited**
U.S. PATENT DOCUMENTS
 875,395 12/1907 Weber 52/384
 1,864,153 6/1932 Solon D25/80
 4,050,605 9/1977 Wakana et al. D25/80

Primary Examiner—B. J. Bullock
Attorney, Agent, or Firm—C. O. Marshall, Jr.

[57] **CLAIM**
 The ornamental design for a lining tile for an abrasive blasting machine, as shown and described.

DESCRIPTION
 FIG. 1 is a perspective view of a lining tile for an abrasive blasting machine showing my new design;
 FIG. 2 is a front elevational view thereof;
 FIG. 3 is a sectional view taken in the direction of the arrows on line 3—3 of FIG. 2.



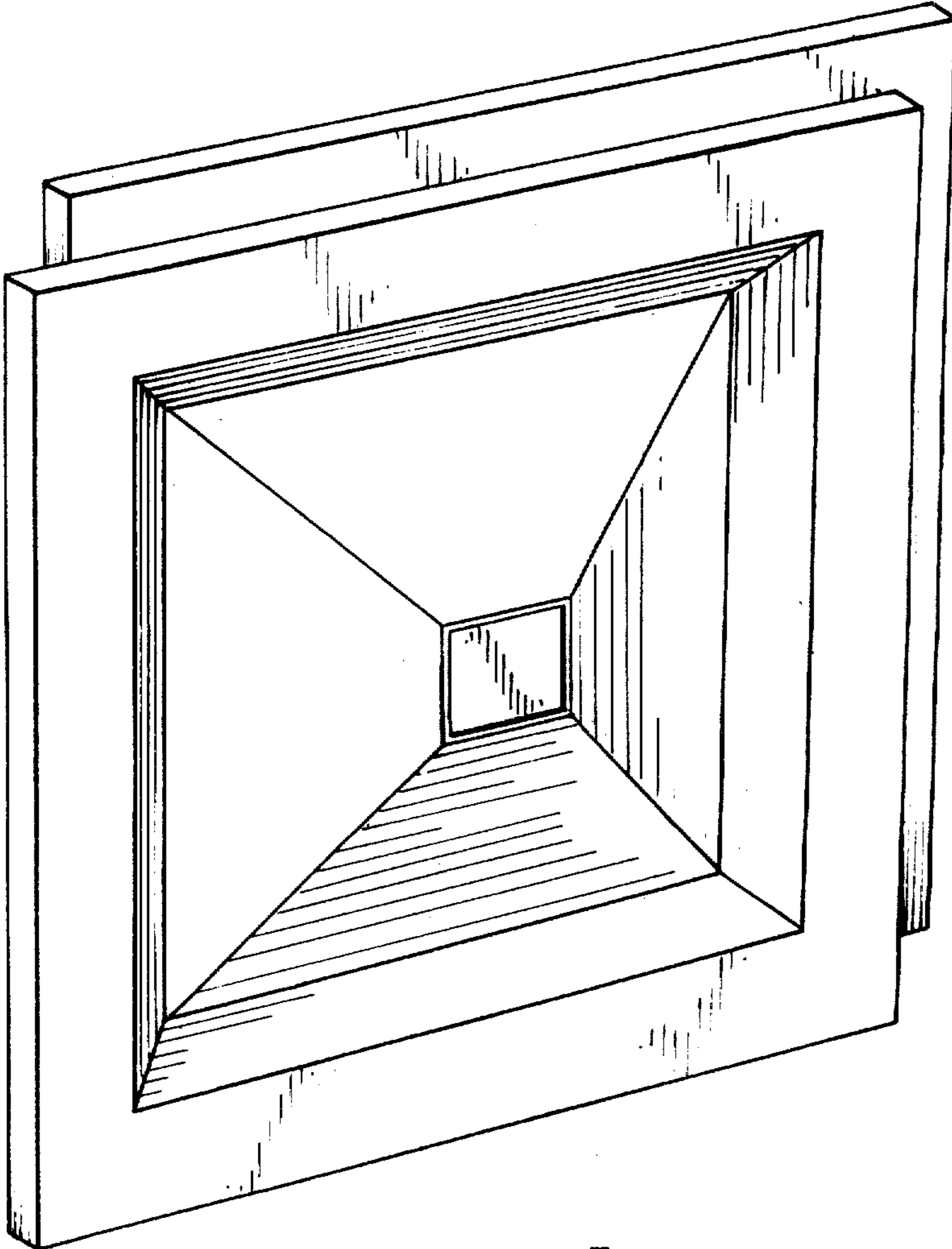


FIG. 1

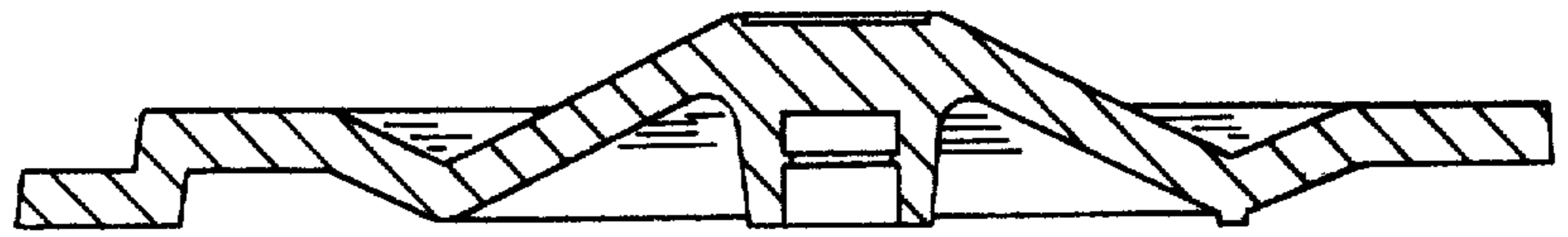


FIG. 3

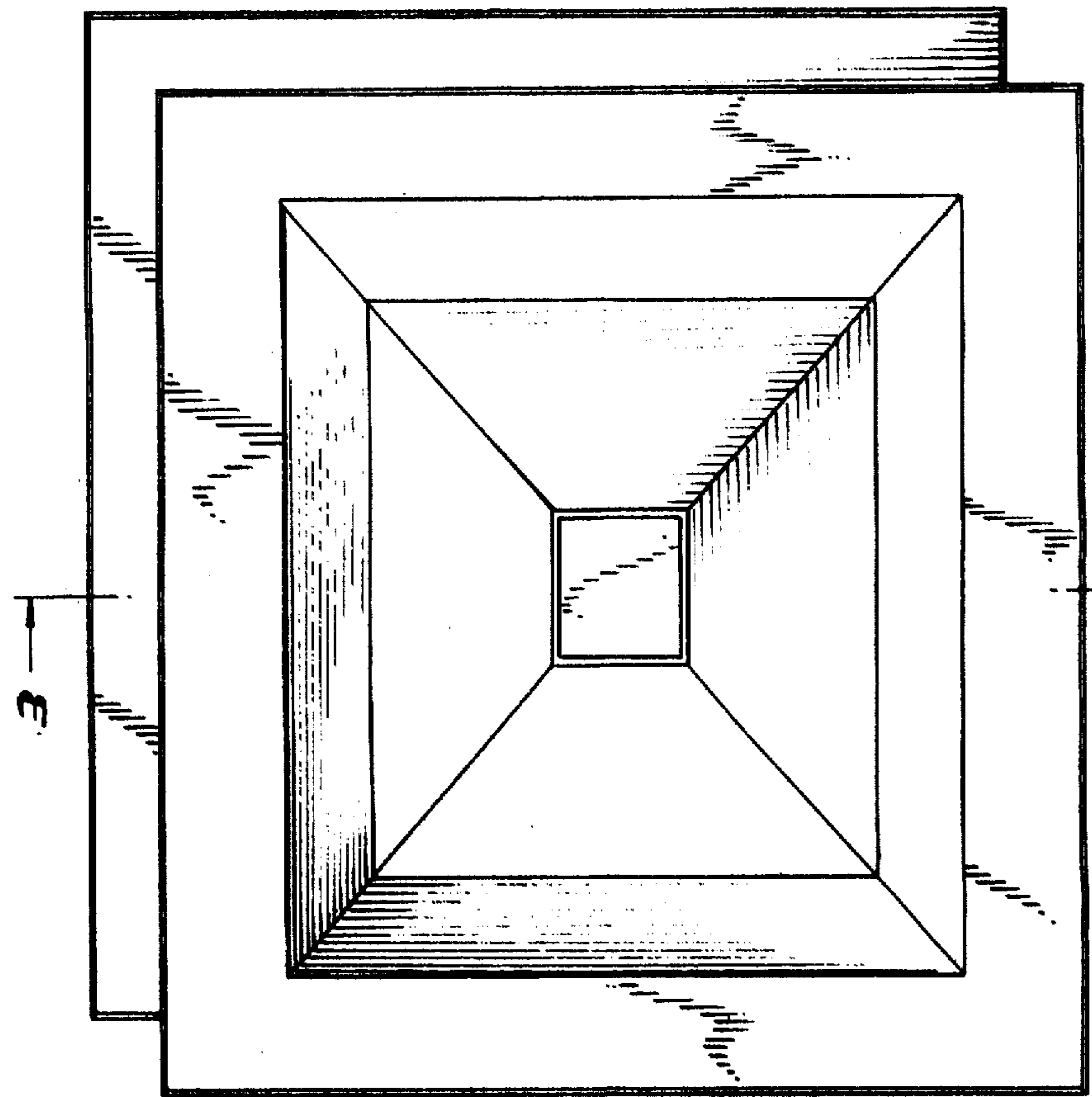


FIG. 2