

[54] HYDRAULIC POWER PUMP

[76] Inventors: Robert E. Richards, Rte. 3, Box 145-E, Waxhaw, N.C. 28173; Eckart F. Schultze, 3008 Goneaway Rd., Charlotte, N.C. 28210

[\*\*] Term: 14 Years

[21] Appl. No.: 111,860

[22] Filed: Jan. 14, 1980

[51] Int. Cl. .... D15-99

[52] U.S. Cl. .... D15/7; 417/234

[58] Field of Search .... D15/7; 417/234

[56] References Cited

U.S. PATENT DOCUMENTS

D. 171,183 12/1953 Barmore ..... D15/7

FOREIGN PATENT DOCUMENTS

450645 7/1936 United Kingdom ..... 417/234

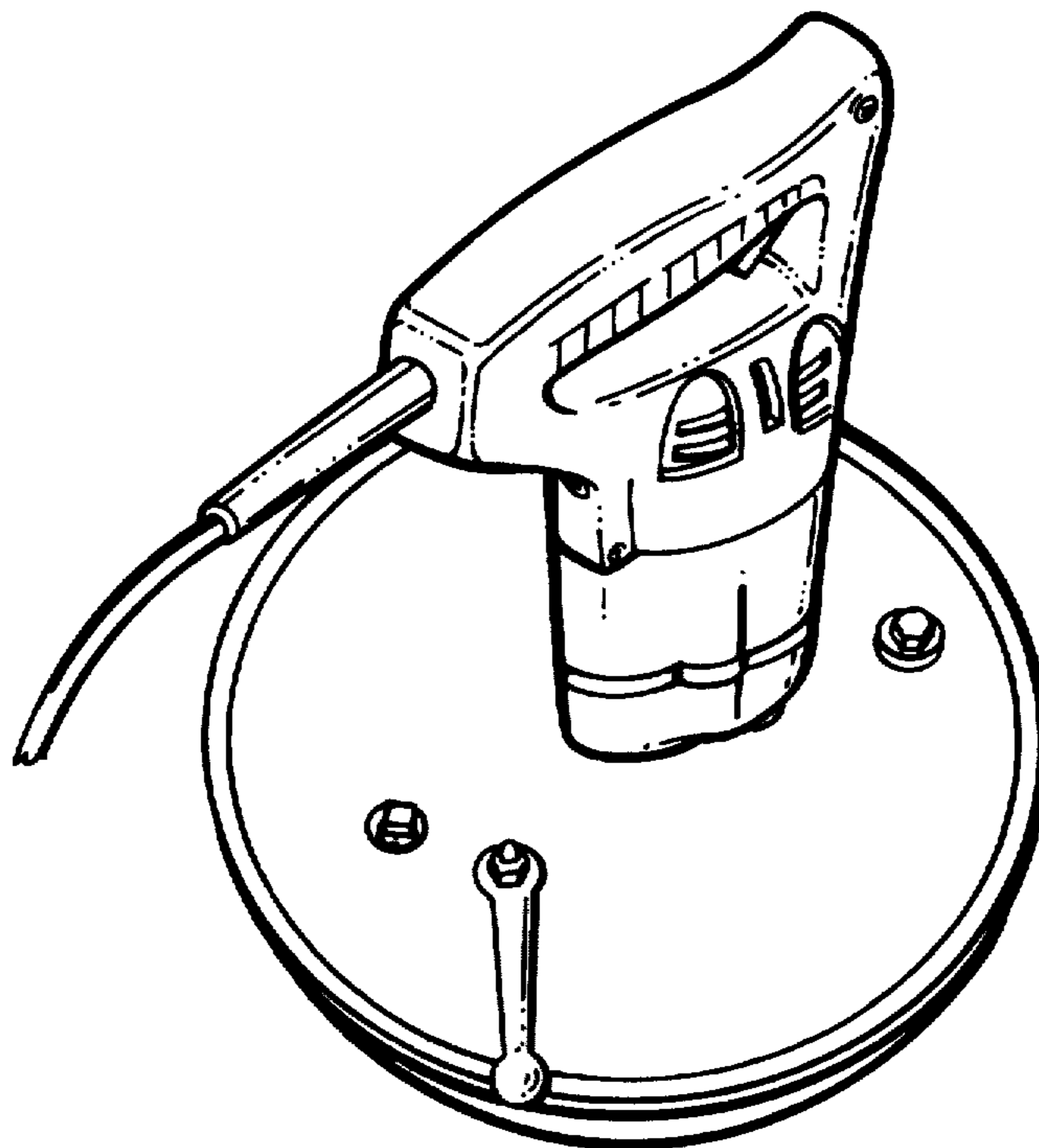
Primary Examiner—Veronica O’Keefe  
Attorney, Agent, or Firm—Richards, Shefte & Pinckney

[57] CLAIM

The ornamental design for a hydraulic power pump, as shown and described.

DESCRIPTION

FIG. 1 is a perspective view of the hydraulic power pump of the present invention; FIG. 2 is a side elevation thereof; FIG. 3 is a side elevation thereof as viewed from the side opposite that of FIG. 2; FIG. 4 is a rear elevation thereof; FIG. 5 is a front elevation thereof; FIG. 6 is an enlarged plan view thereof; and FIG. 7 is an enlarged bottom view of the hydraulic power pump of FIG. 1.



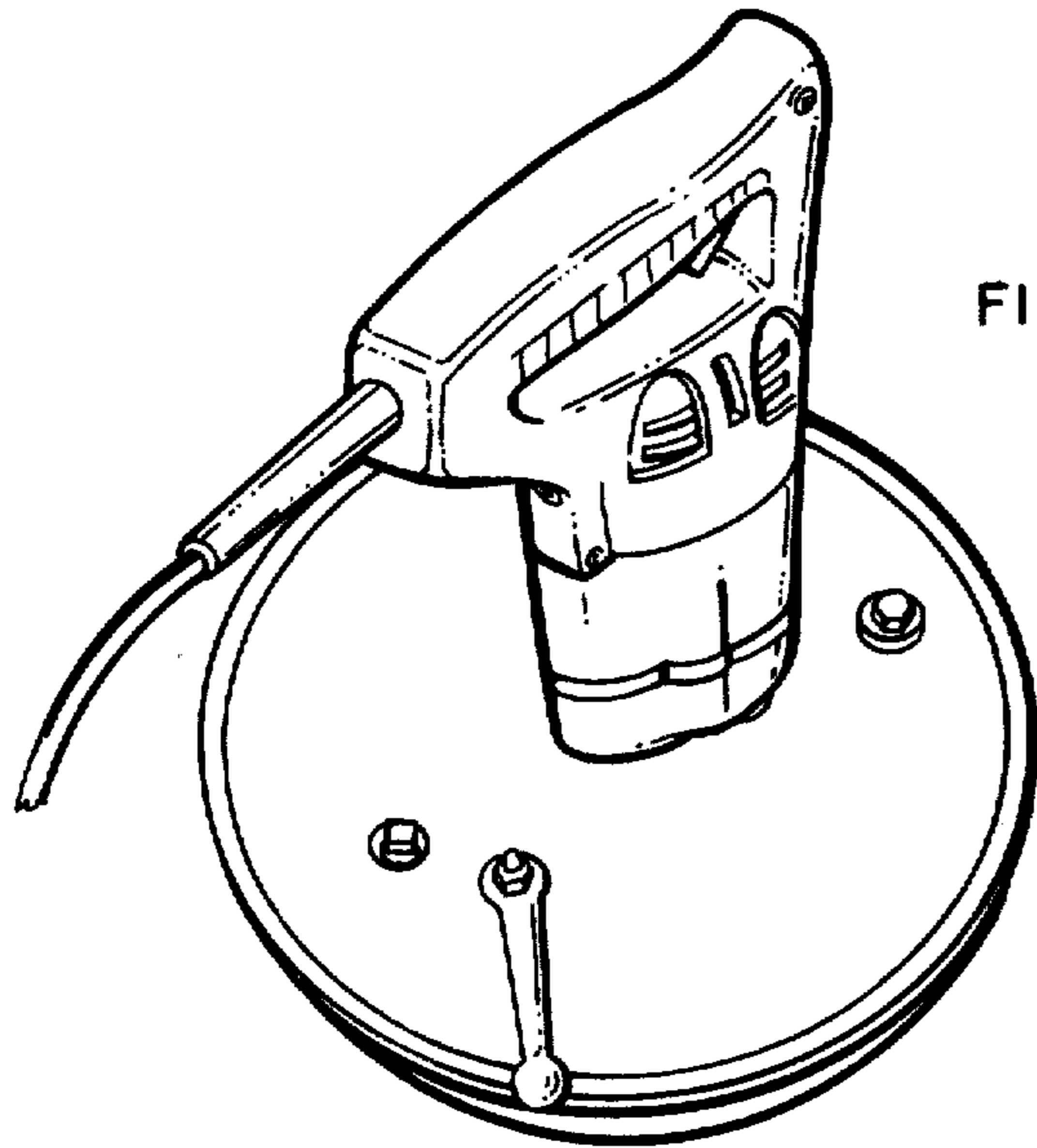


FIG. 1

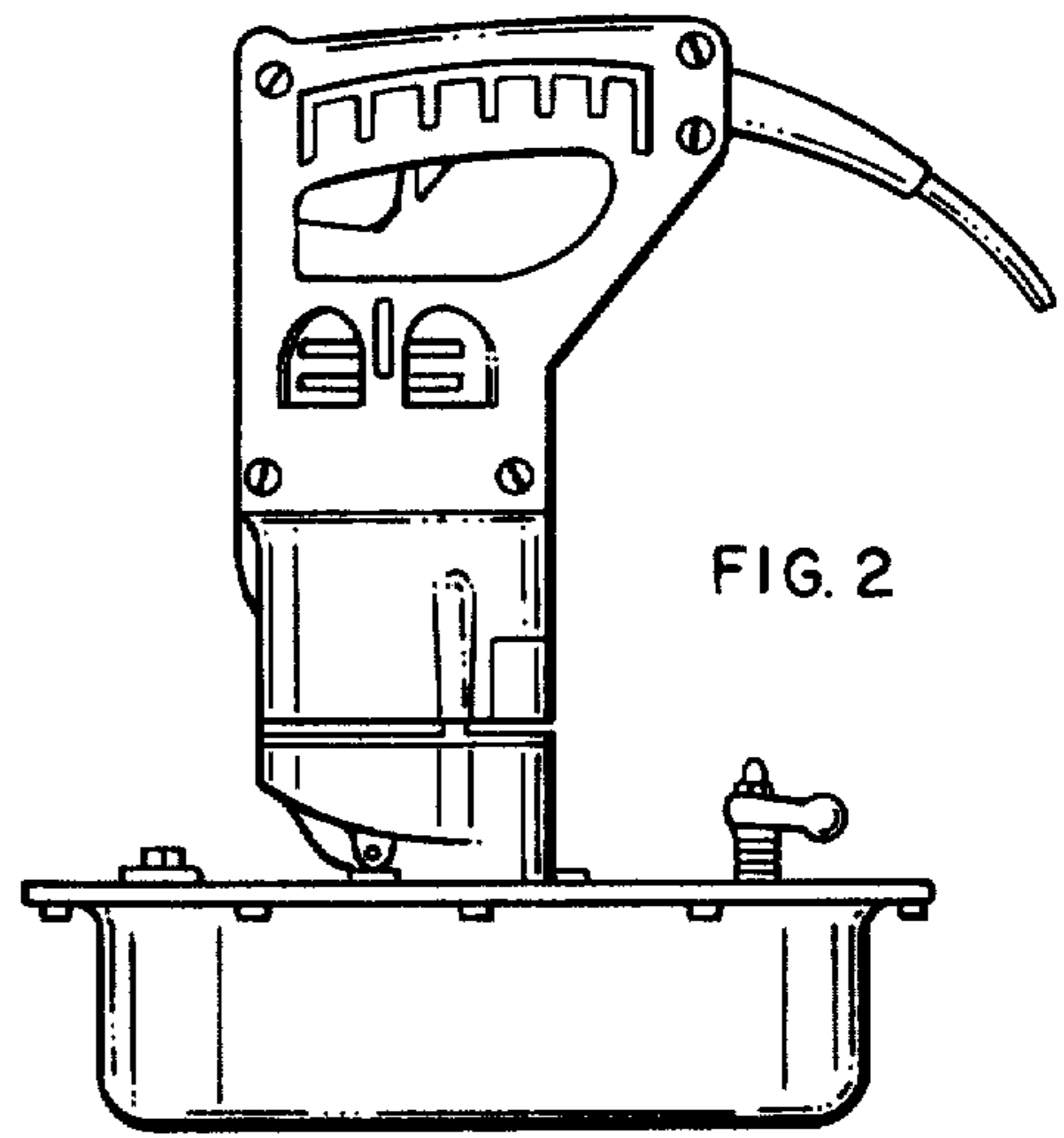


FIG. 2

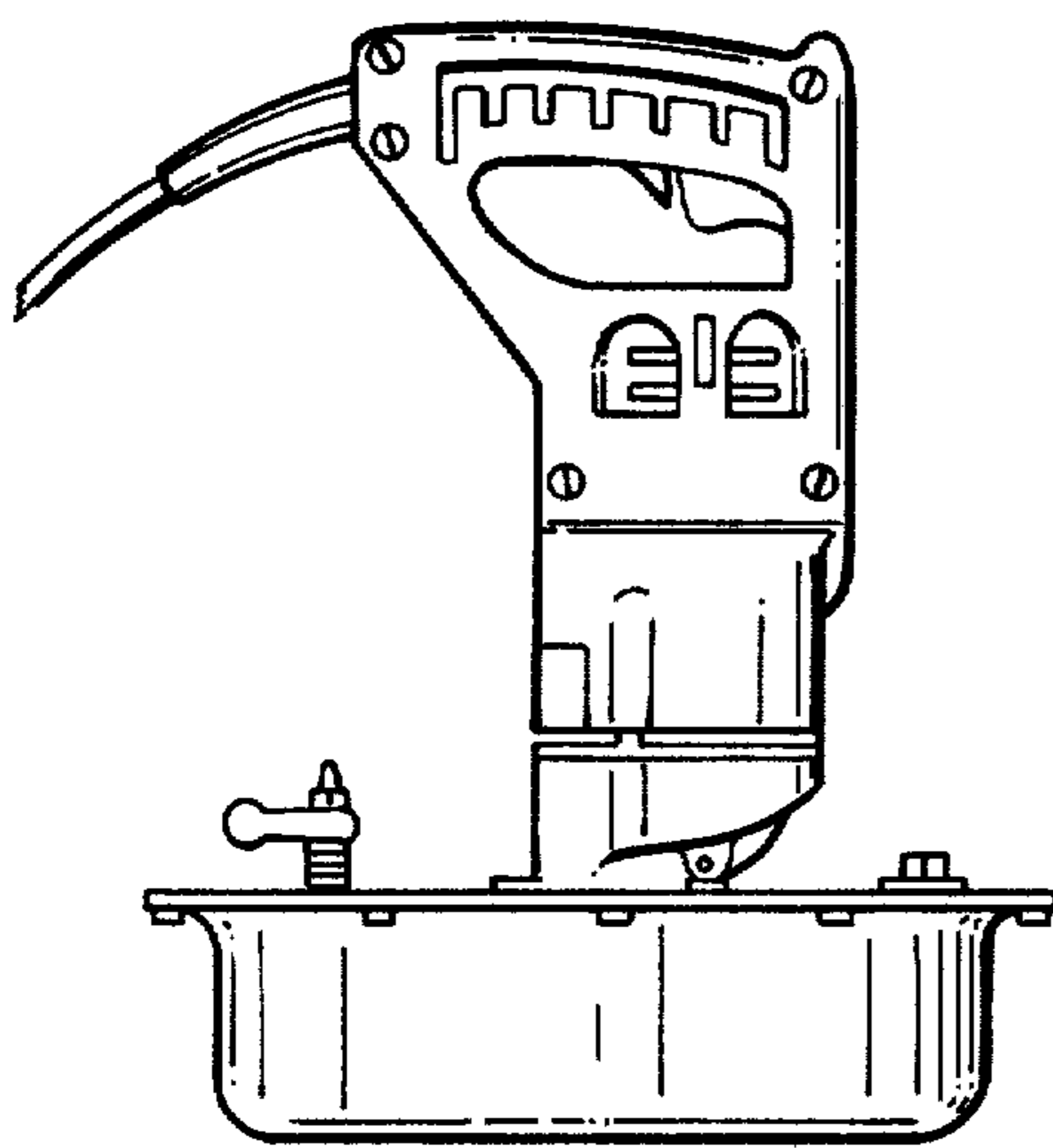


FIG. 3

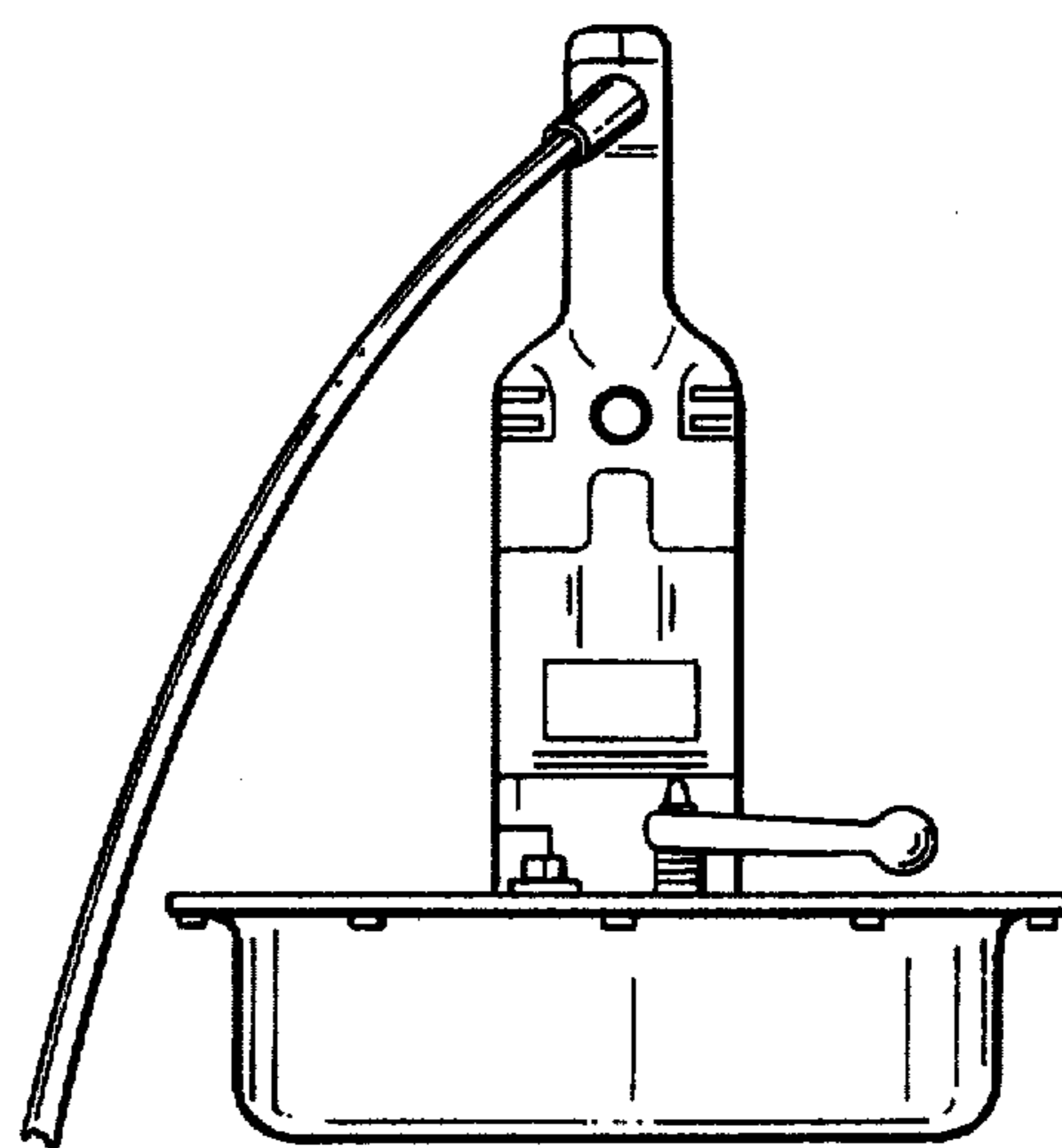


FIG. 4

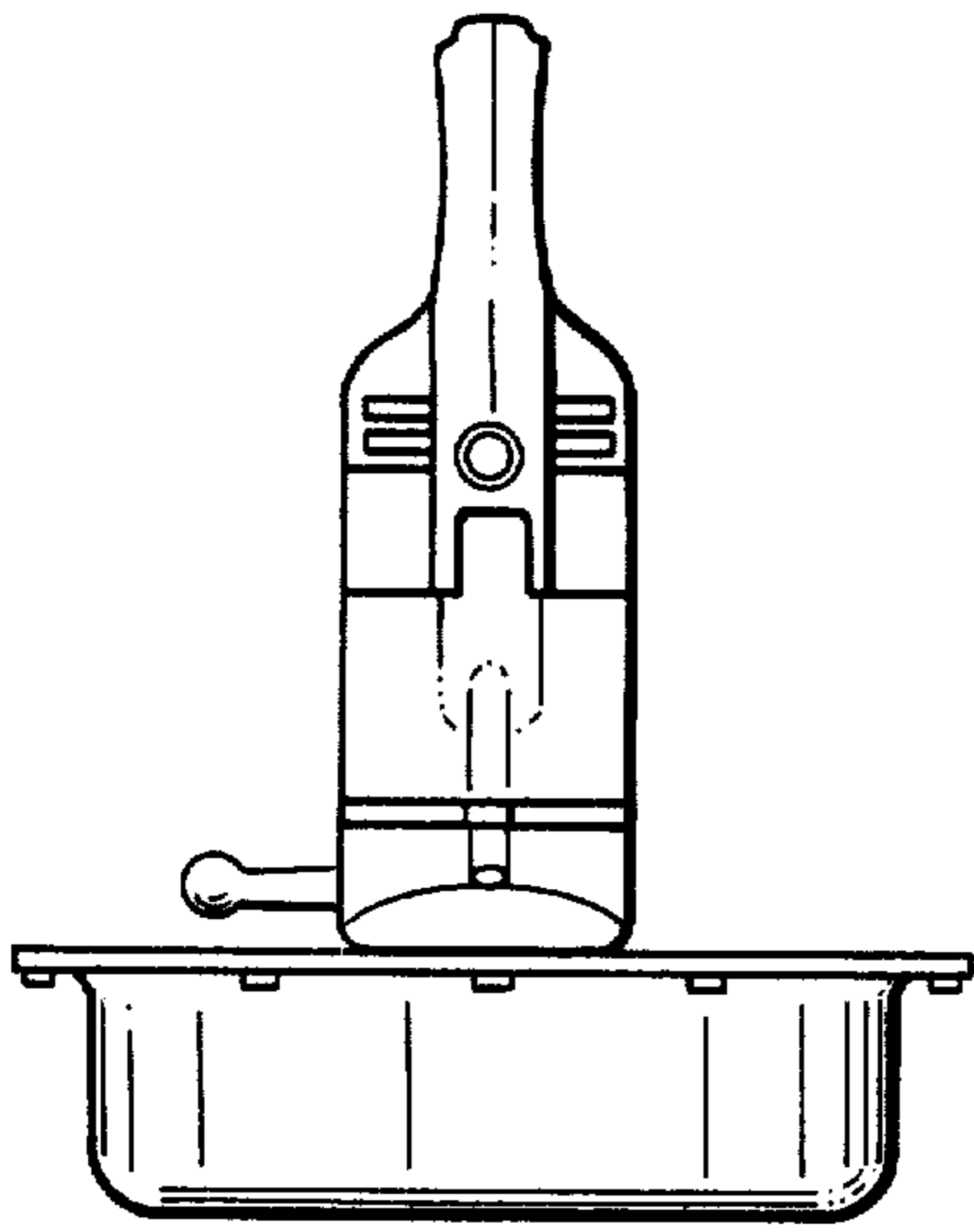


FIG. 5

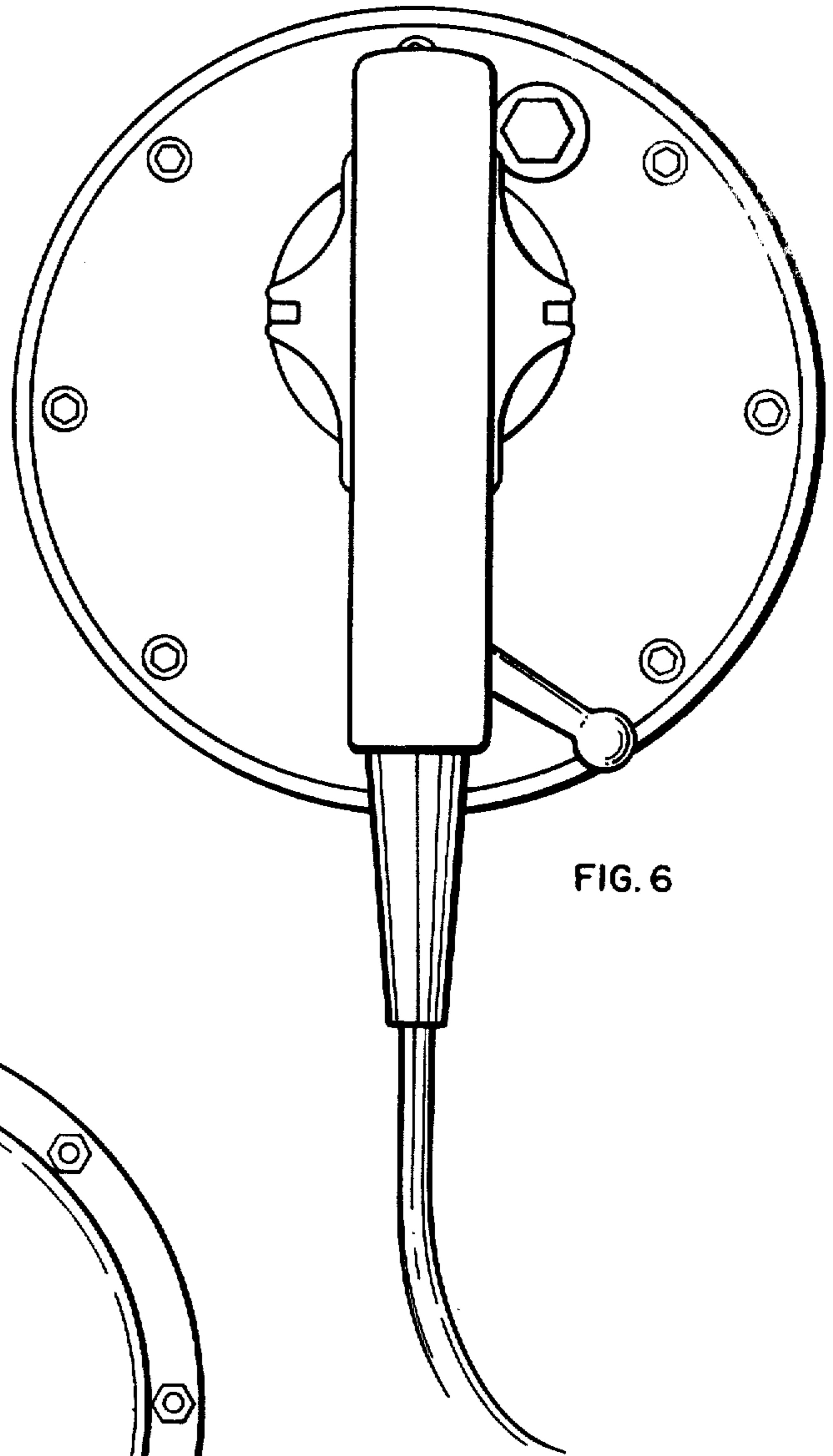


FIG. 6

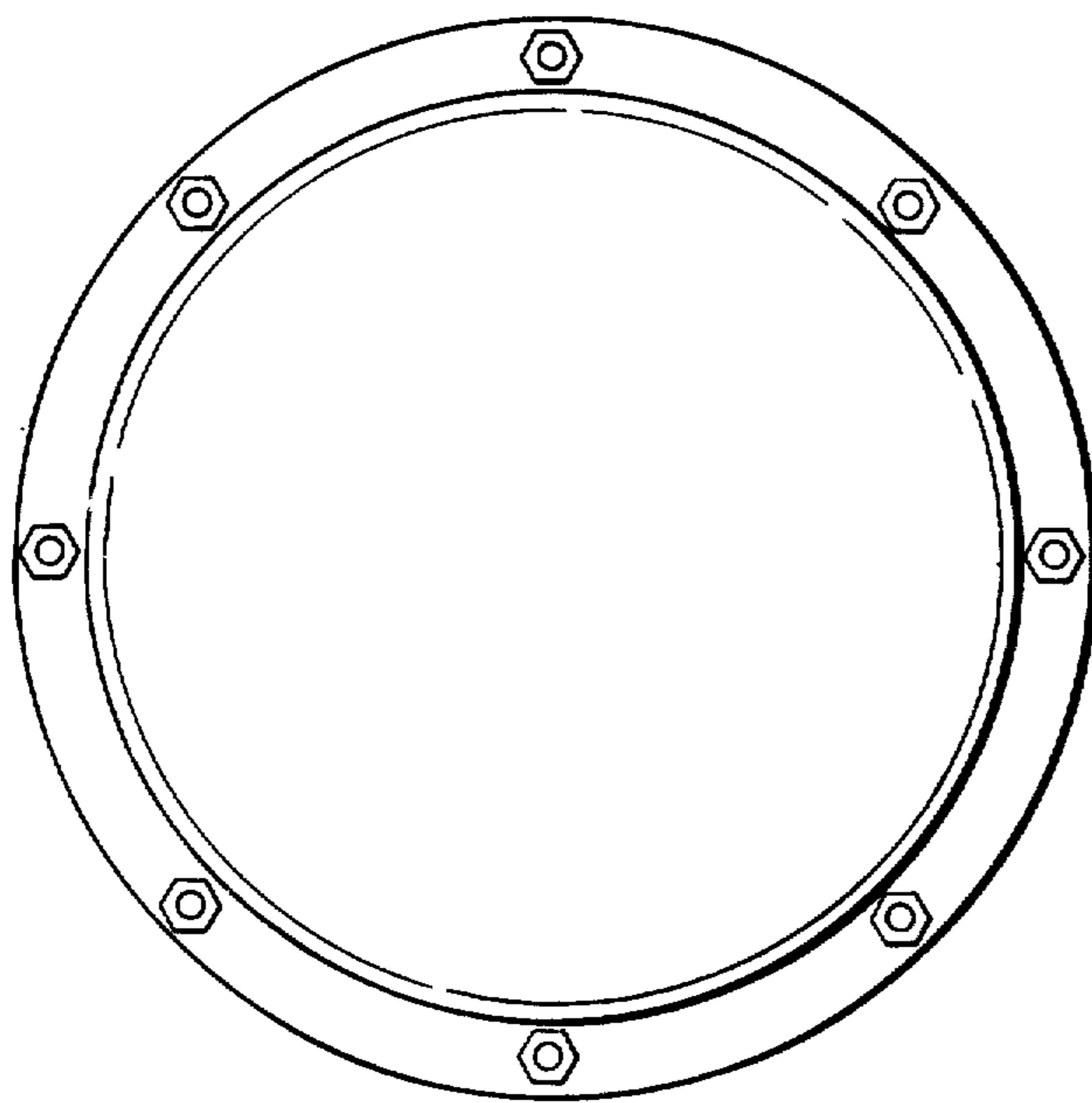


FIG. 7

UNITED STATES PATENT OFFICE  
CERTIFICATE OF CORRECTION

Patent No. D-266,091 Dated September 7, 1982

Inventor(s) Robert E. Richards and Eckart F. Schultze

It is certified that error appears in the above-identified patent and that said Letters Patent are hereby corrected as shown below:

On the title page item [73]:

The patent should show that it has been assigned as follows:

--Duff-Norton Company  
Charlotte, North Carolina

**Signed and Sealed this**

*Fifth Day of April 1983*

[SEAL]

*Attest:*

**GERALD J. MOSSINGHOFF**

*Attesting Officer*

*Commissioner of Patents and Trademarks*