

[54] TELEPHONE HANDSET AMPLIFIER

[75] Inventor: Leslie Perhacs, Jr., Port Ludlow, Wash.

[73] Assignee: Proctor & Associates Company, Redmond, Wash.

[**] Term: 14 Years

[21] Appl. No.: 34,257

[22] Filed: Apr. 30, 1979

[51] Int. Cl. D14-03

[52] U.S. Cl. D14/57

[58] Field of Search D14/57; 179/1 A, 81 B, 179/178

D. 225,750	1/1973	Marsalka et al.	D14/57
2,214,992	9/1940	Chevasslis	D14/57
3,254,160	5/1966	Day et al.	179/81 B
3,277,243	10/1966	Fairbairn	179/81 B
4,151,376	4/1979	Walker	179/1 A
4,160,122	7/1979	Jacobson	179/1 A
4,191,861	3/1980	Walker	179/1 A

Primary Examiner—T. Tung
Attorney, Agent, or Firm—Christensen, O'Connor, Johnson & Kindness

[57] CLAIM

The ornamental design for a telephone handset amplifier, as shown.

DESCRIPTION

FIG. 1 is a front perspective view of a telephone handset amplifier showing my new design; FIG. 2 is a left side elevational view thereof; FIG. 3 is a top plan view thereof; FIG. 4 is a rear elevational view thereof; and FIG. 5 is a front elevational view thereof.

[56] References Cited

U.S. PATENT DOCUMENTS

D. 190,585	6/1961	Diller	D14/57
D. 211,251	6/1968	Ota	D14/57

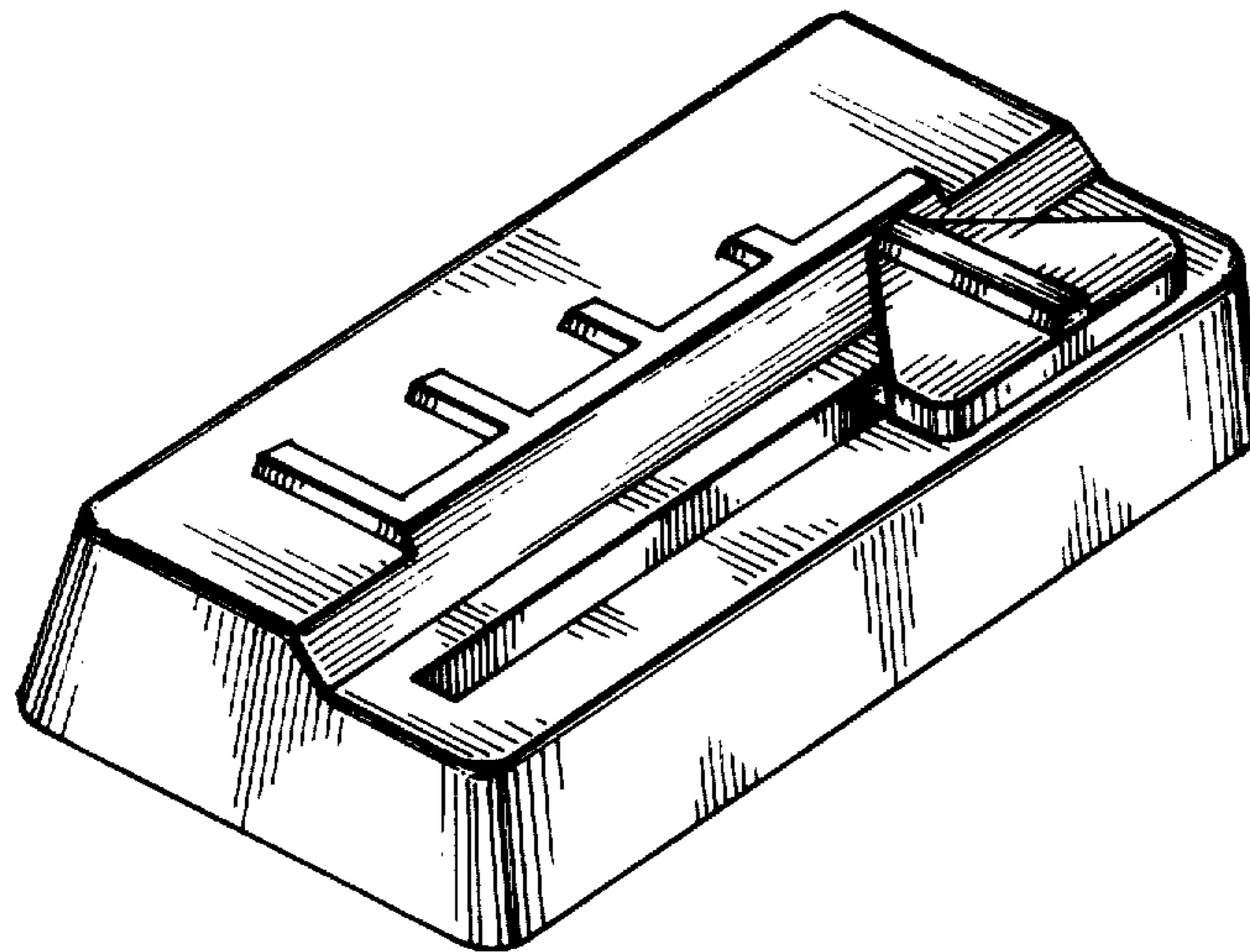


Fig. 1.

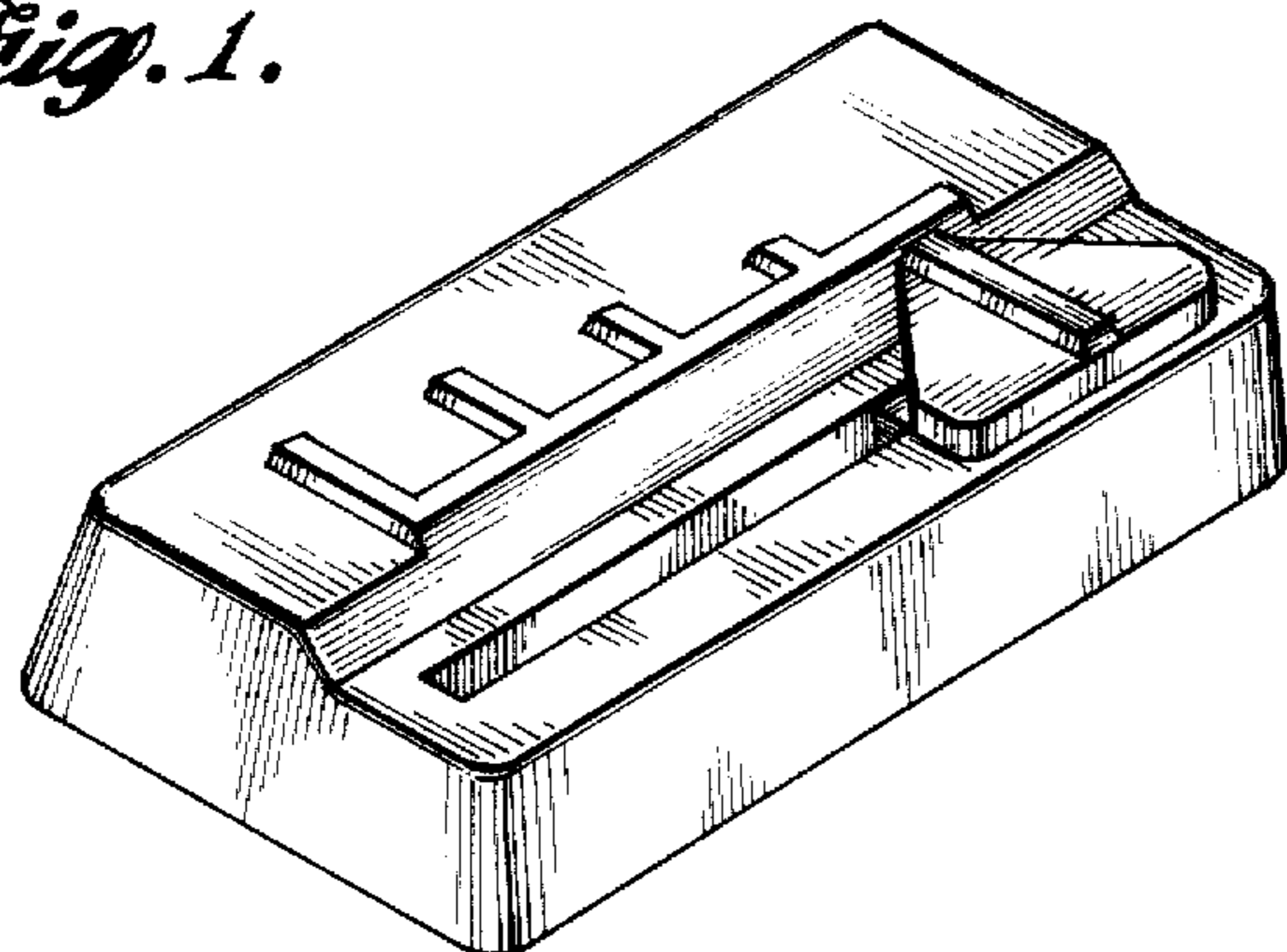


Fig. 2.

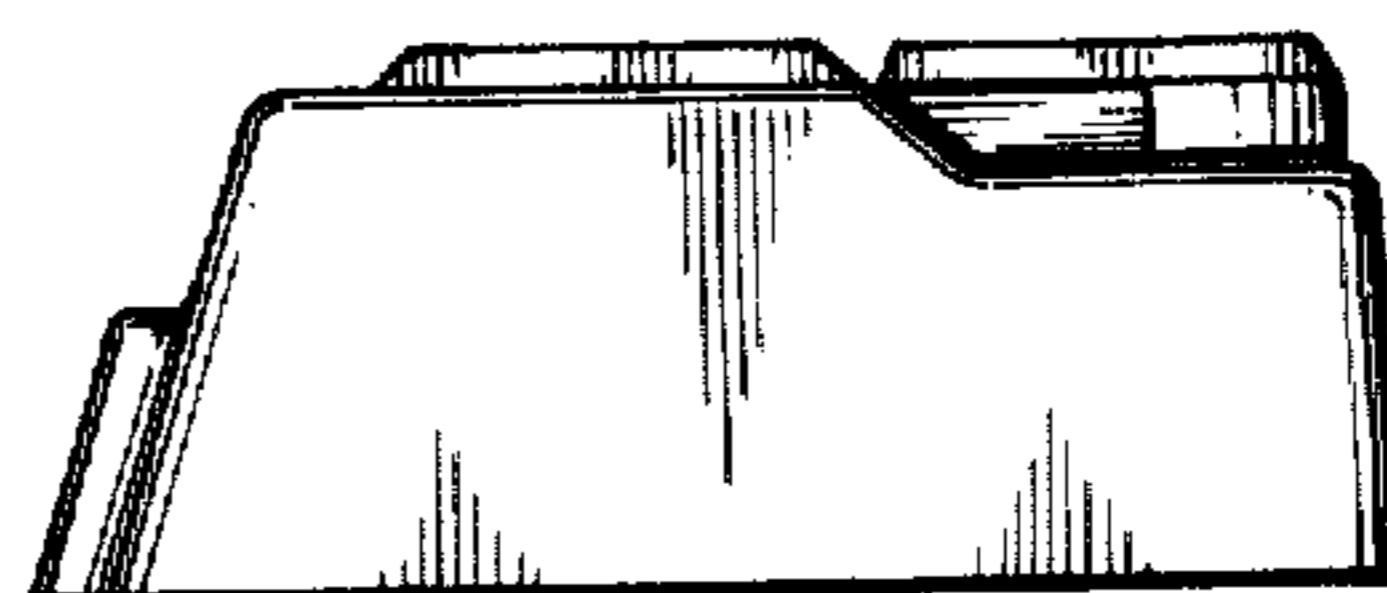


Fig. 3.

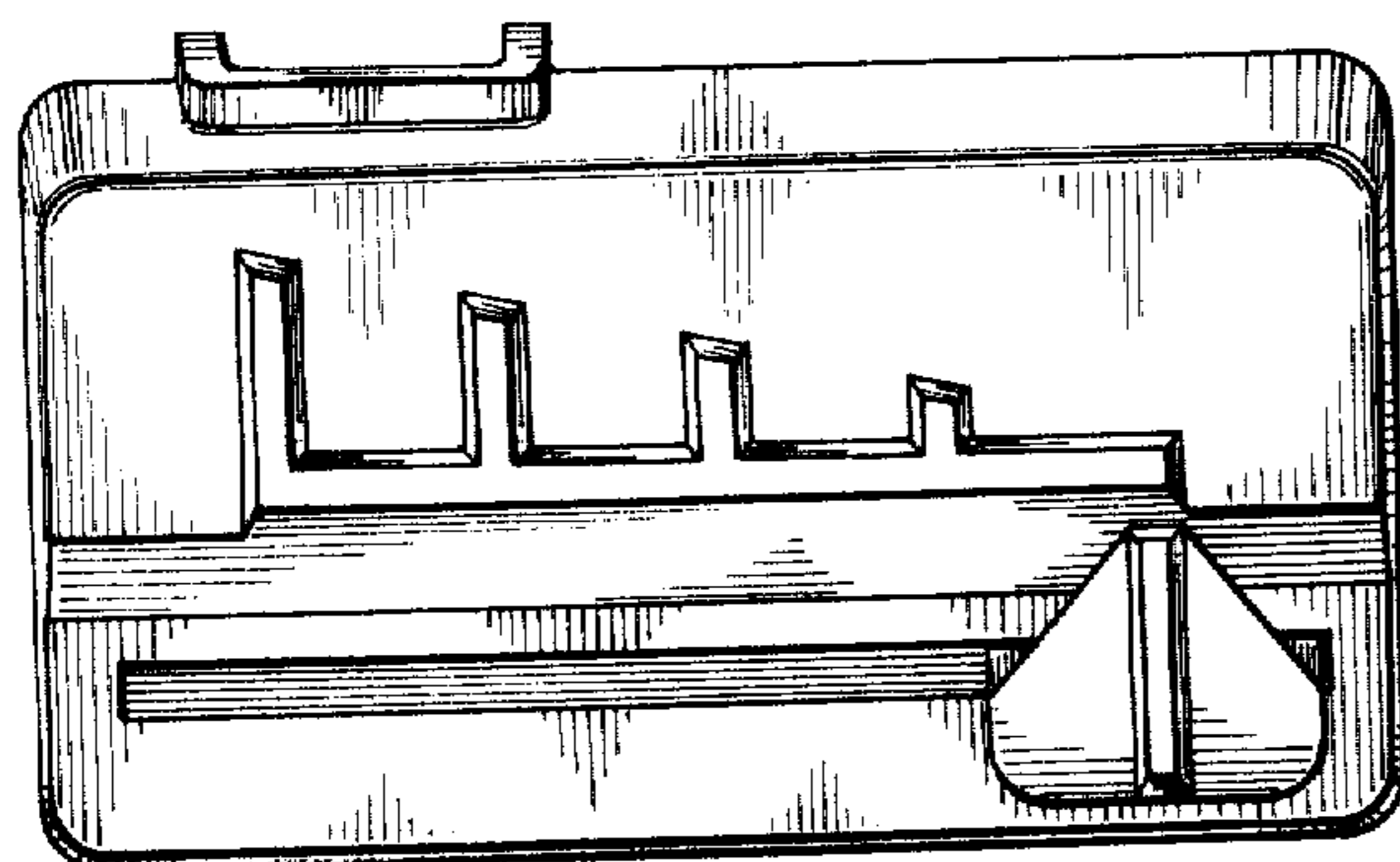


Fig. 4.

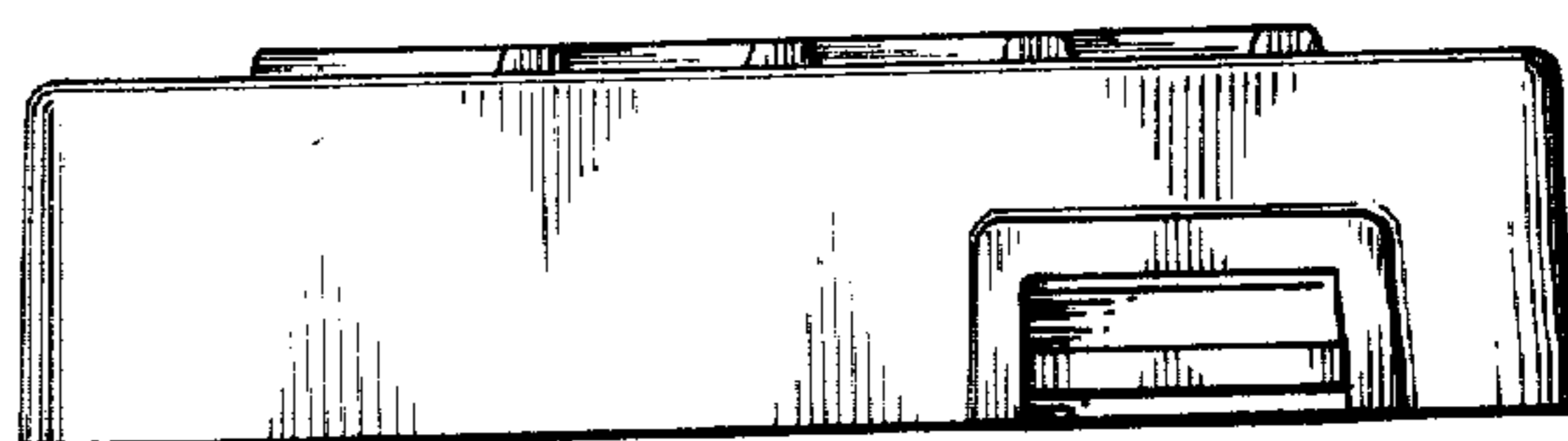


Fig. 5.

