

[54] THERMOSTATIC SWITCH
 [75] Inventor: Robert J. Colavecchio, Johnston, R.I.
 [73] Assignee: Elmwood Sensors, Inc., Cranston, R.I.
 [51] Int. Cl. D13-03
 [52] U.S. Cl. D13/35
 [58] Field of Search 337/298, 309, 327, 380, 337/398; D13/32

4,127,838 11/1978 Neveux 337/380

FOREIGN PATENT DOCUMENTS

2159822 6/1973 Fed. Rep. of Germany 337/298
 2246049 4/1975 France 337/298
 616628 1/1949 United Kingdom 337/327

[**] Term: 14 Years

[21] Appl. No.: 139,976

[22] Filed: Apr. 14, 1980

Primary Examiner—Susan J. Lucas
Attorney, Agent, or Firm—Salter & Michaelson

[57] CLAIM

The ornamental design for a thermostatic switch, substantially as shown.

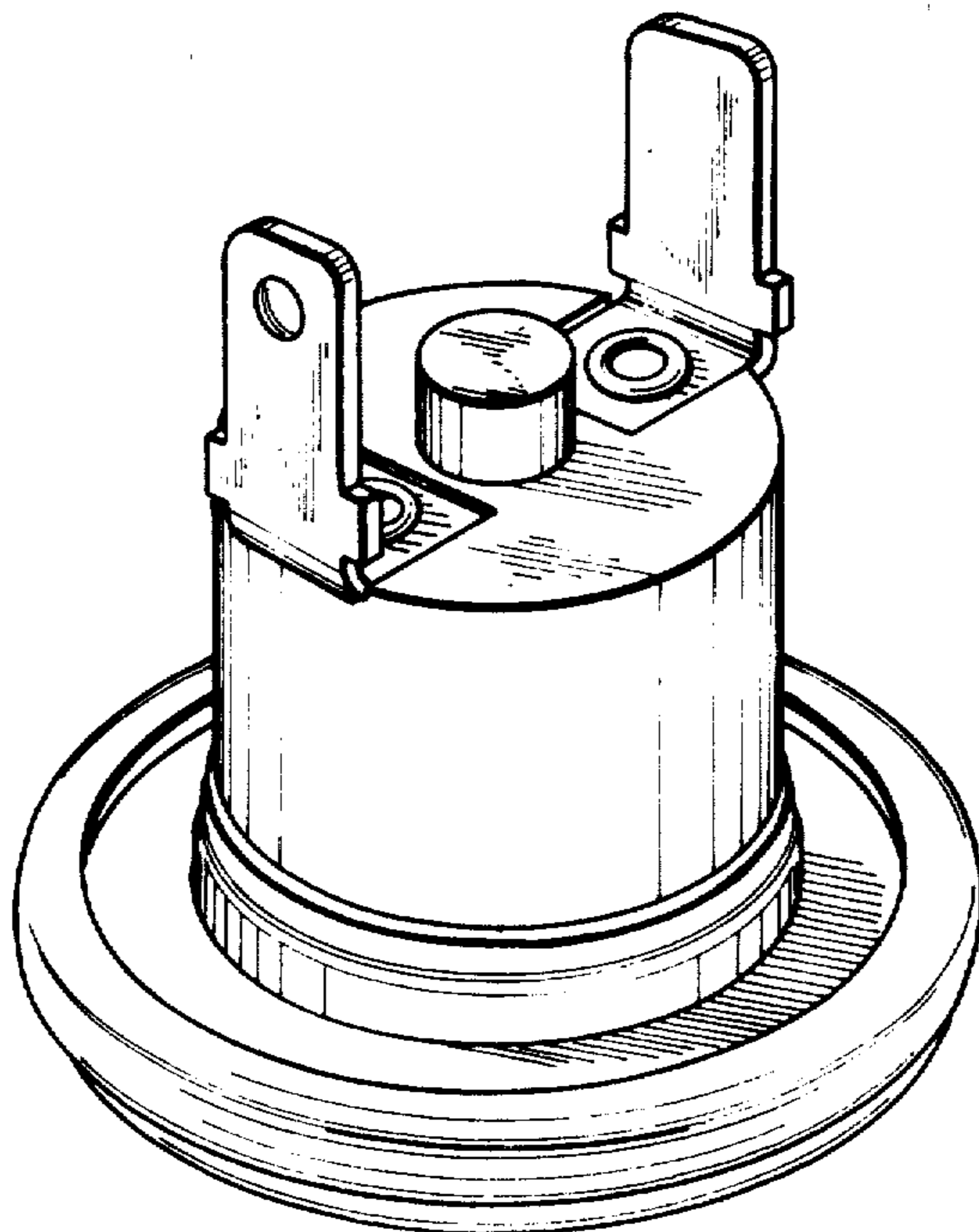
DESCRIPTION

FIG. 1 is a perspective view of a thermostatic switch showing my new design;
 FIG. 2 is side elevational view thereof;
 FIG. 3 is a top plan view thereof;
 FIG. 4 is a bottom plan view thereof; and
 FIG. 5 is an end elevational view thereof.

[56] References Cited

U.S. PATENT DOCUMENTS

2,682,590 6/1954 Roberson 337/327 X
 3,649,943 3/1972 Matto 337/380



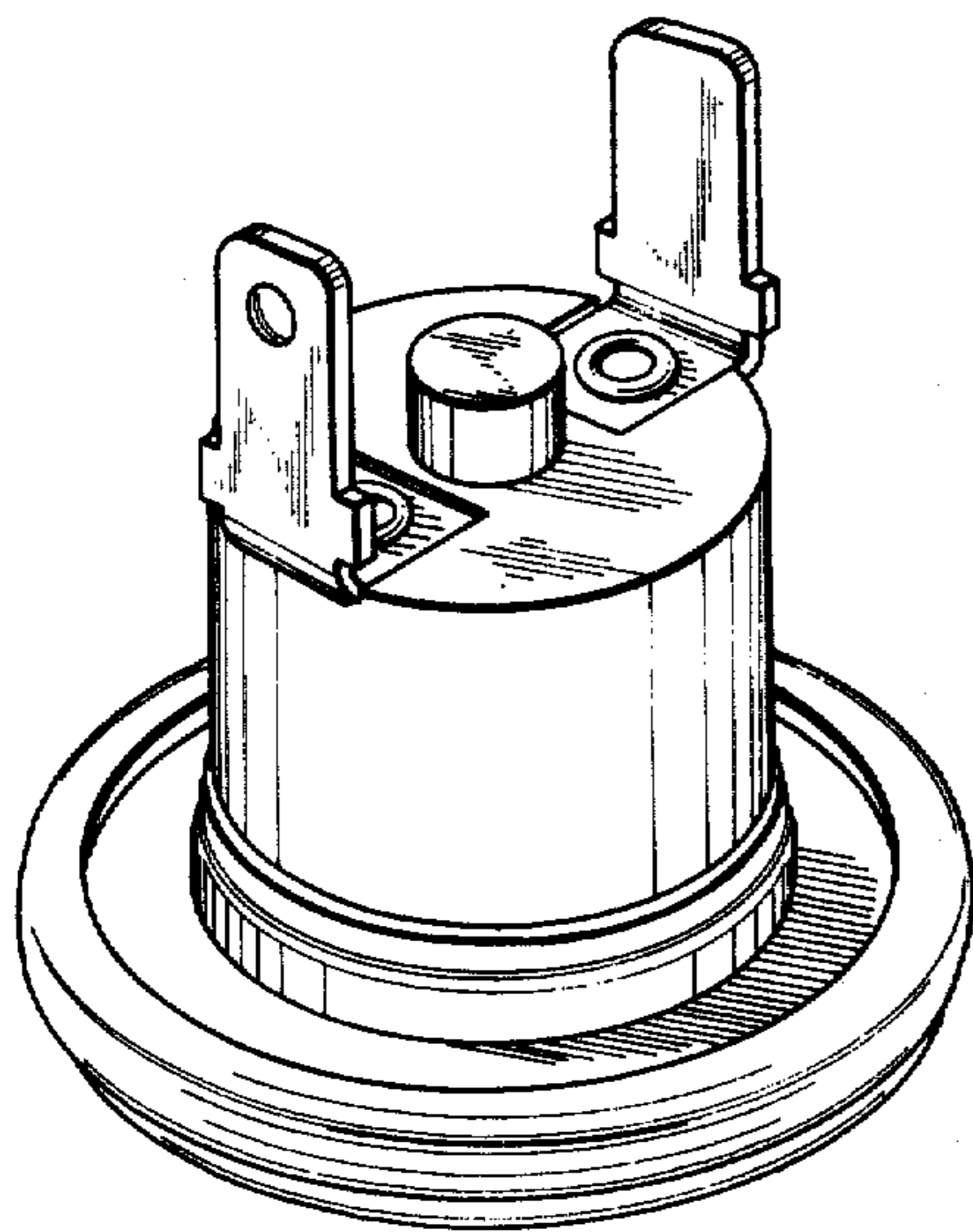


FIG. 1

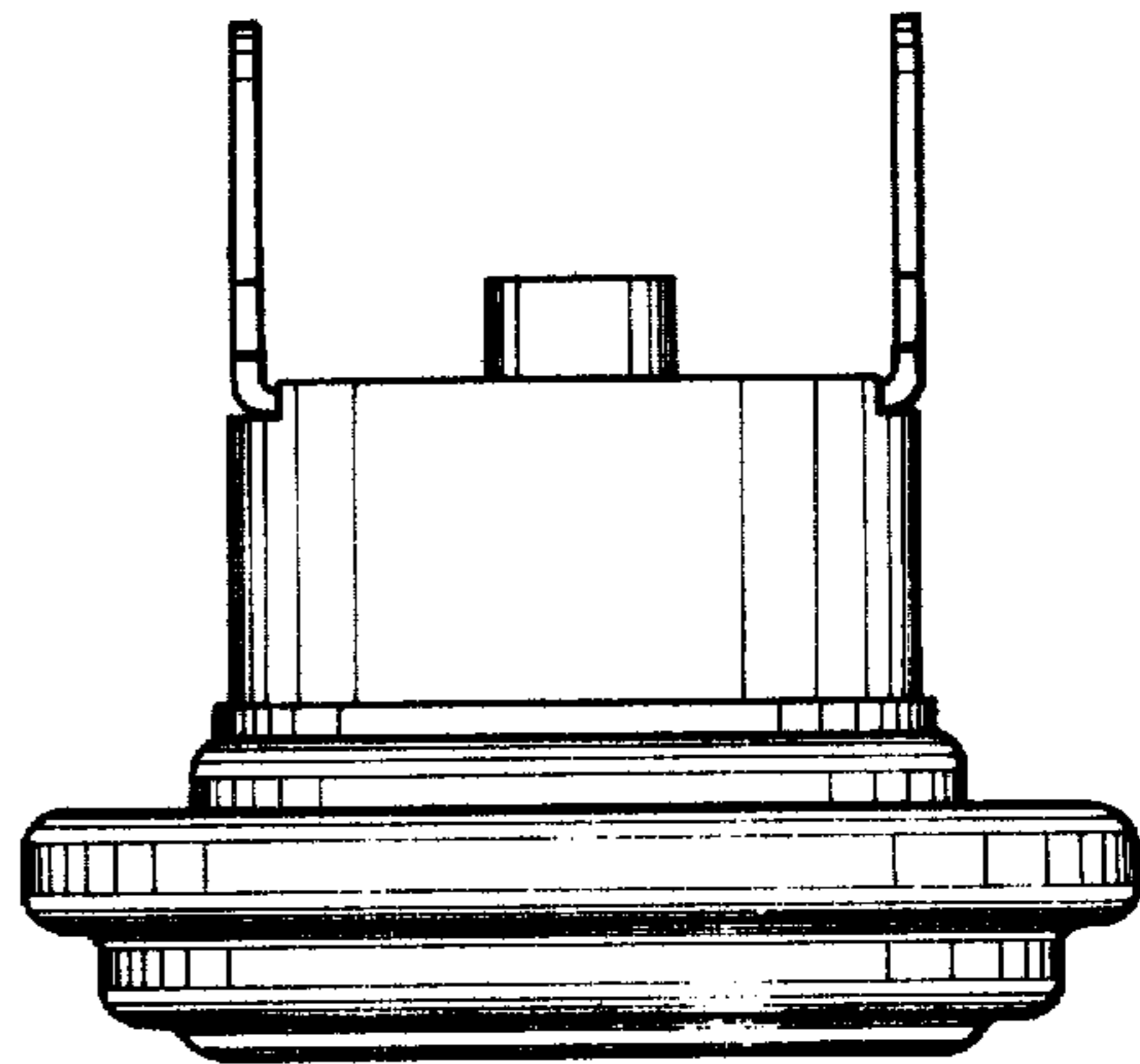


FIG. 2

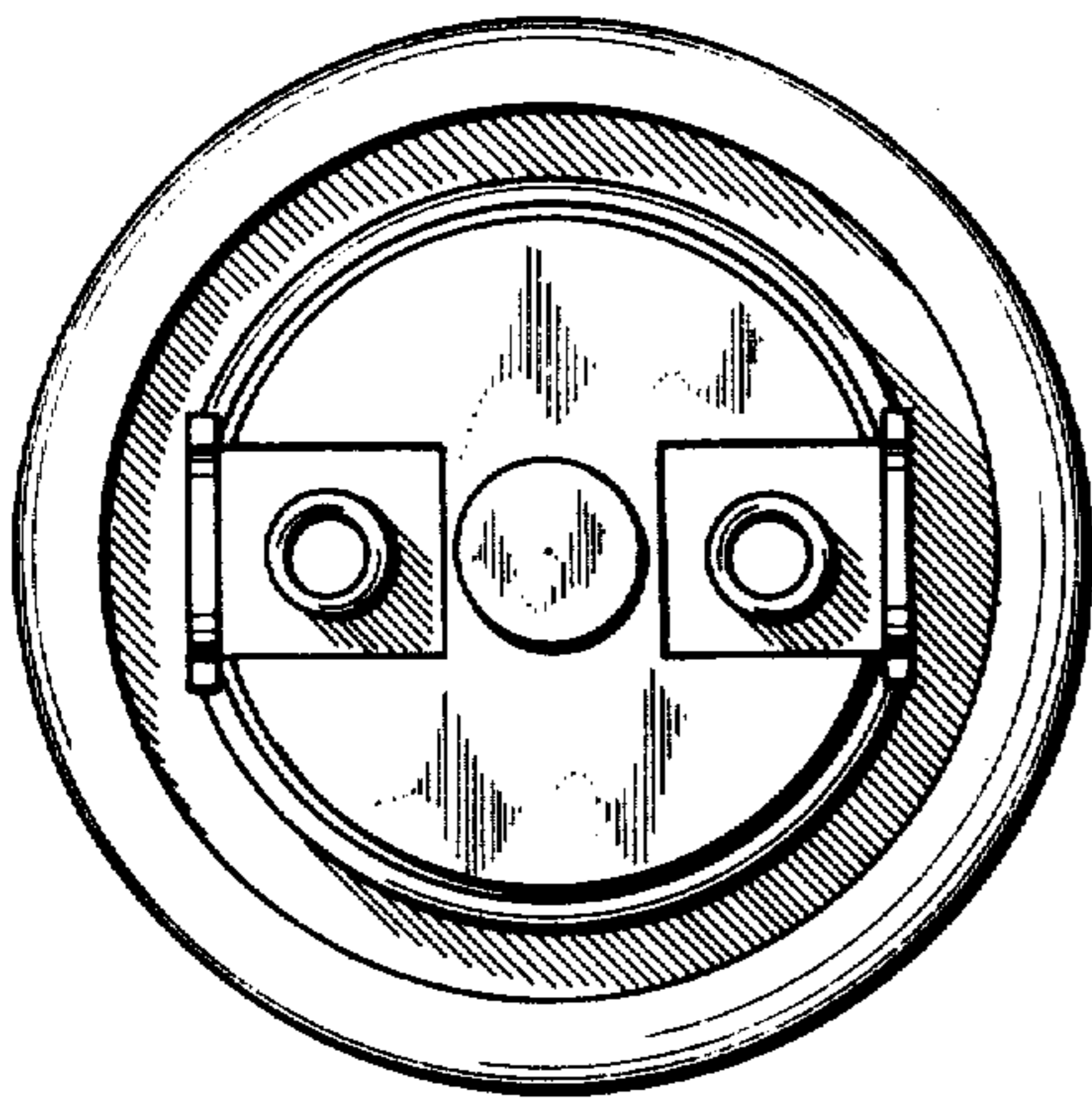


FIG. 3

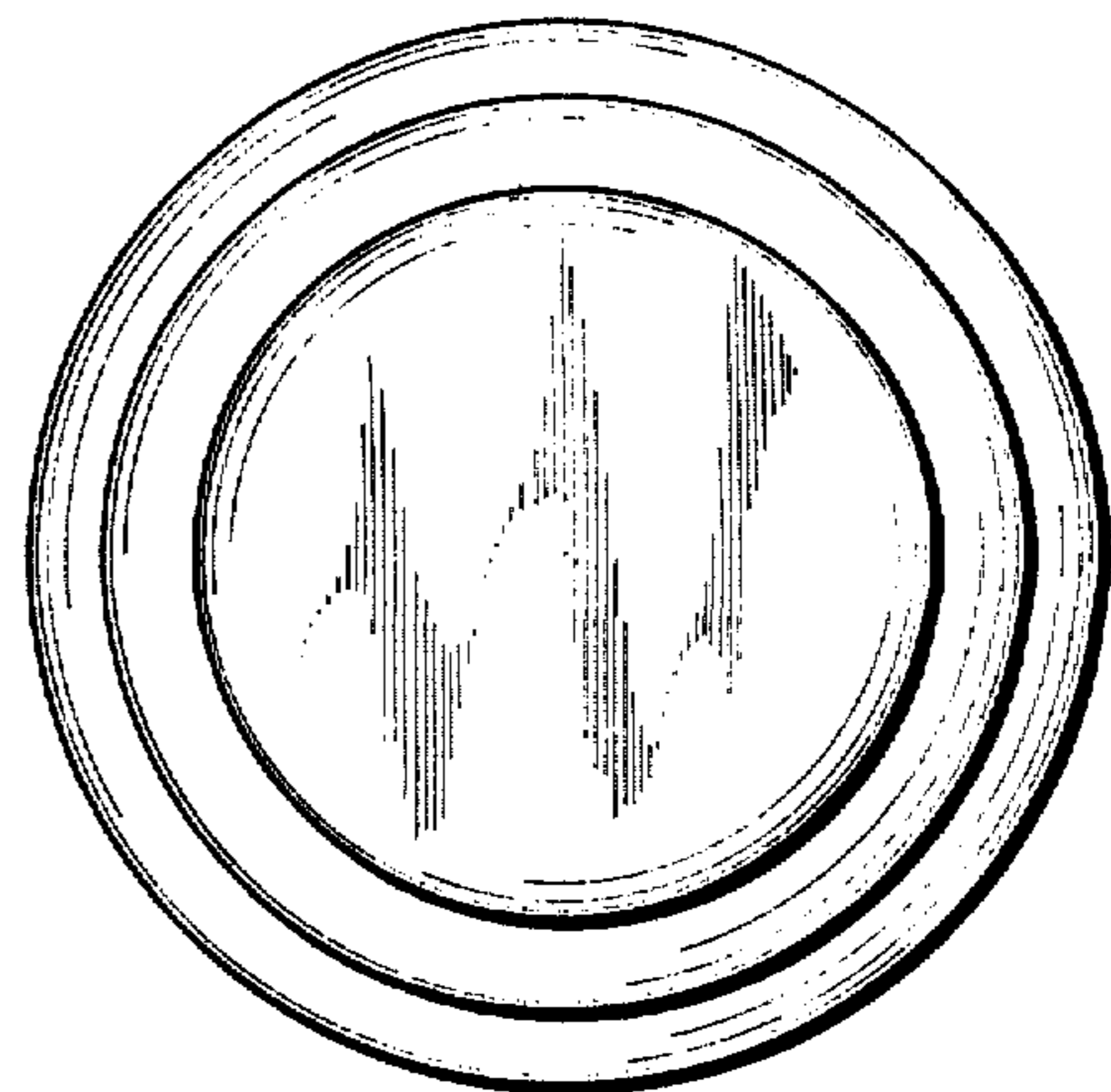


FIG. 4

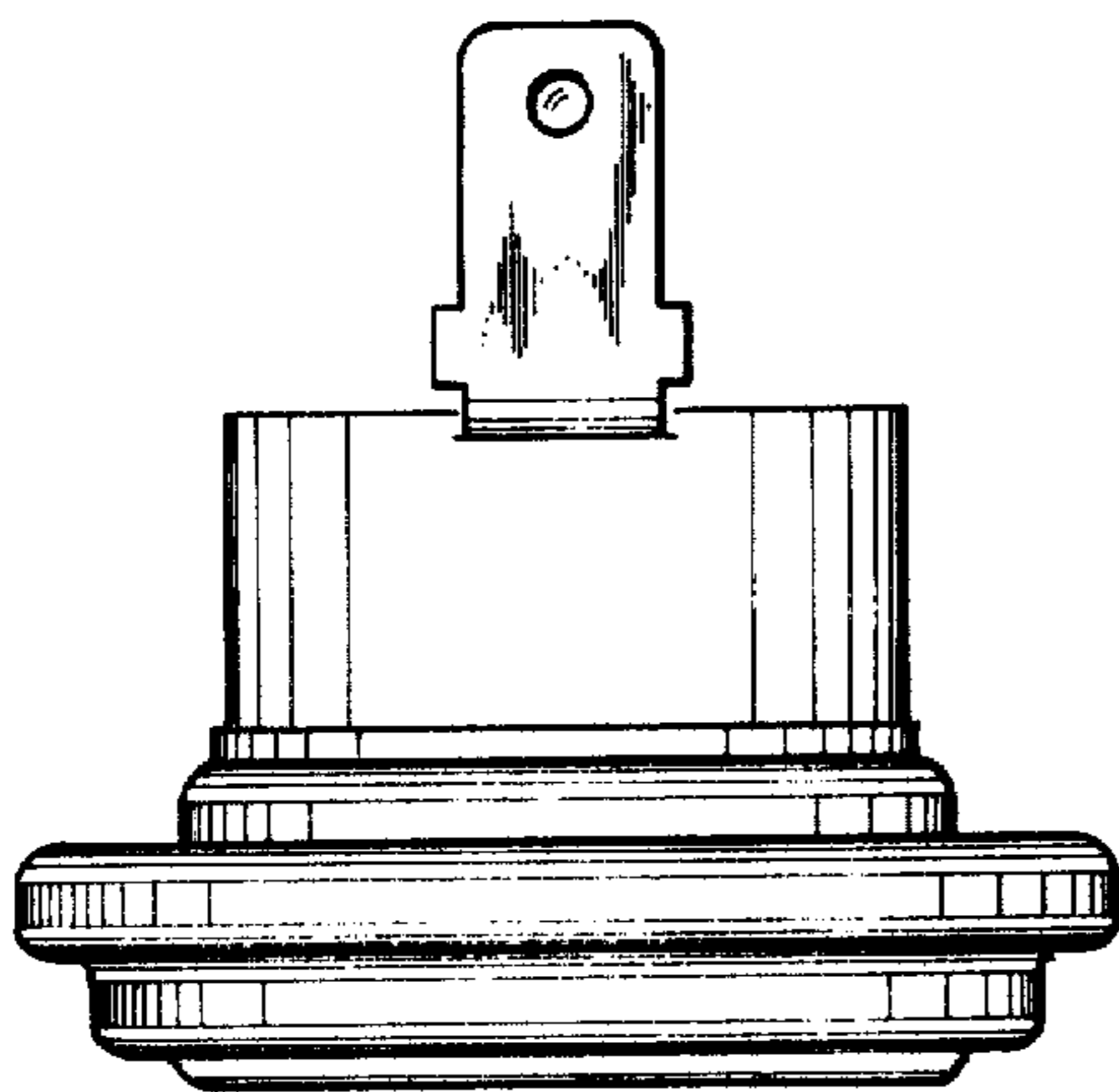


FIG. 5