

[54] COMPASS

[76] Inventor: Thomas T. Drake, Slip 152 Old Port Cove, N. Palm Beach, Fla. 33480

[\*\*] Term: 14 Years

[21] Appl. No.: 117,807

[22] Filed: Feb. 1, 1980

[51] Int. Cl. .... D10-04

[52] U.S. Cl. .... D10/68; D10/67

[58] Field of Search .... D10/23, 60, 67, 68, D10/74, 94, 103, 67, 68; 33/355 R

[56] References Cited

U.S. PATENT DOCUMENTS

- D. 75,623 6/1928 Herbermann ..... D10/68
- D. 148,962 3/1948 Sherrill ..... D10/67
- D. 194,707 2/1963 Stuart ..... D10/68

FOREIGN PATENT DOCUMENTS

409675 7/1942 Italy ..... 33/355

Primary Examiner—Leland A. Sebastian  
Attorney, Agent, or Firm—Alfred H. Rosen; Milton Oliver

[57] CLAIM

The ornamental design for a compass, as shown and described.

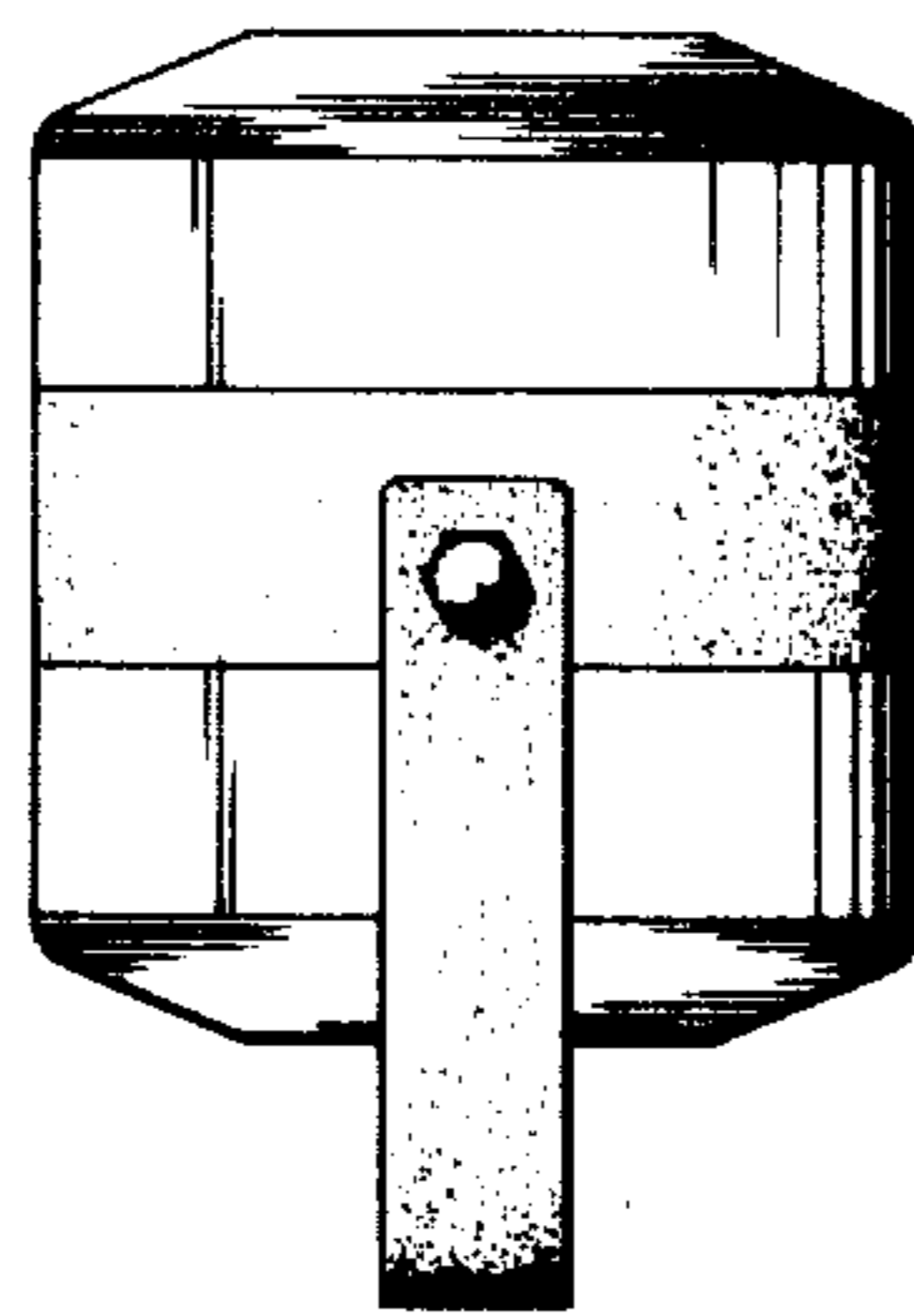
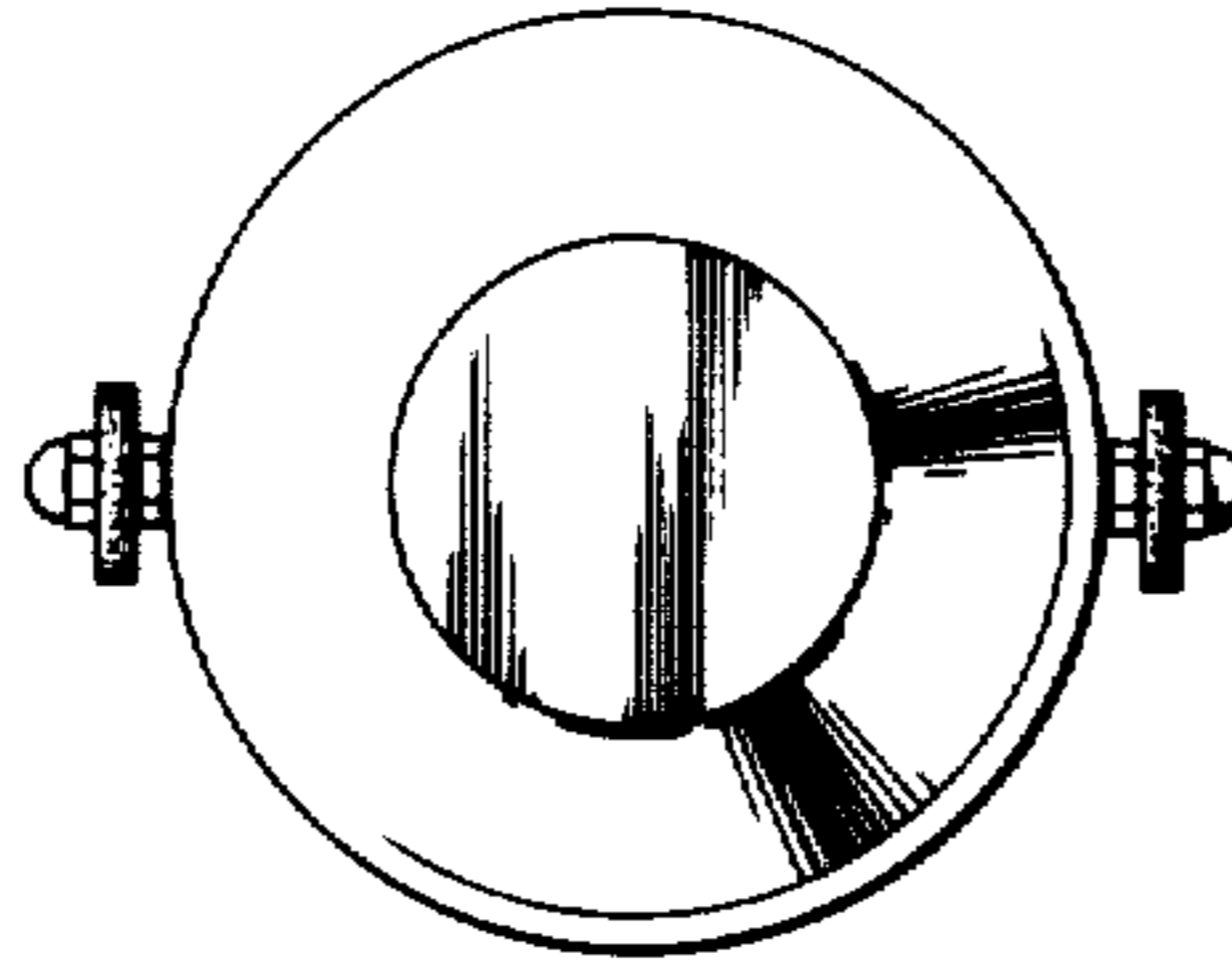
DESCRIPTION

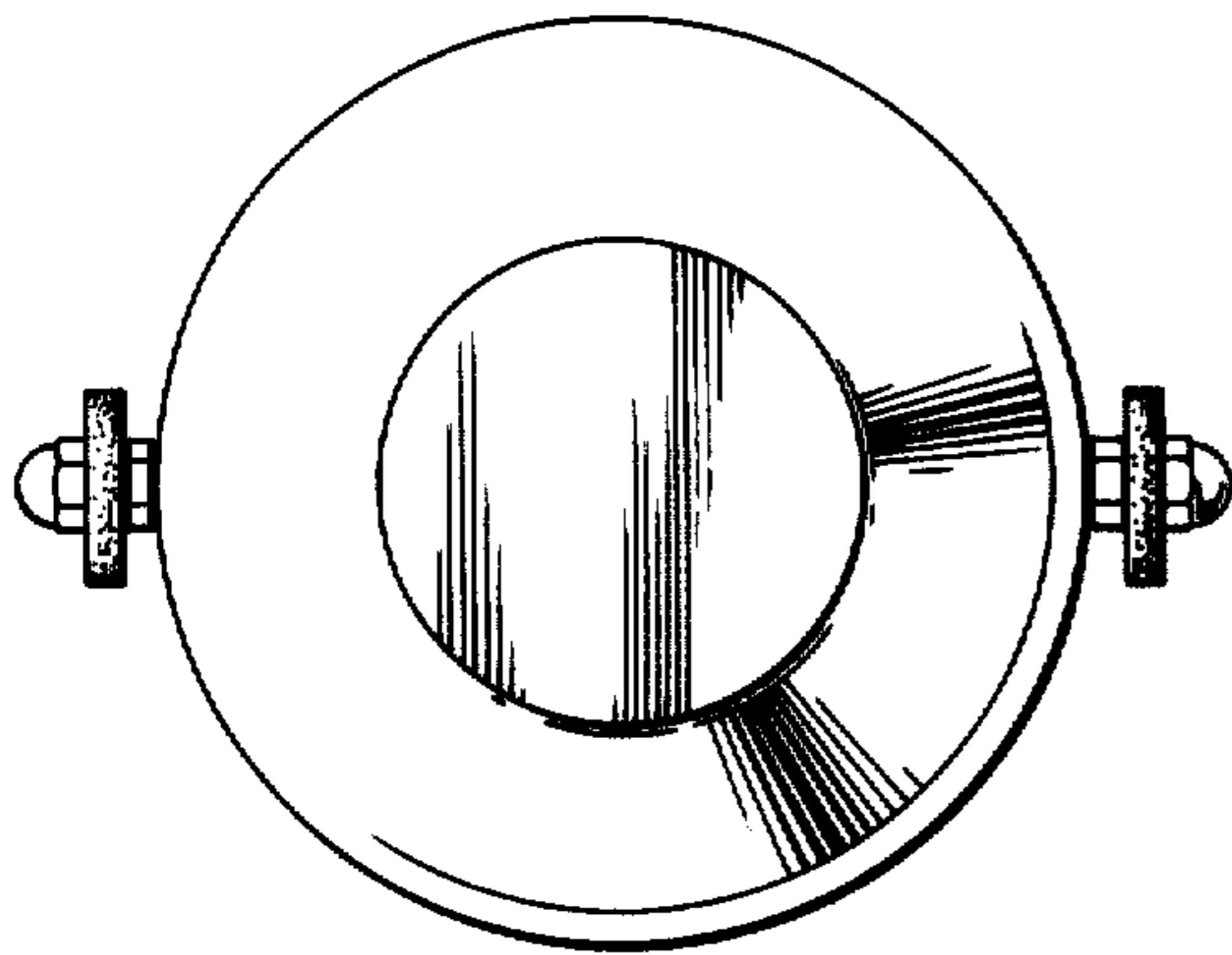
FIG. 1 is a top plan view of a compass showing my new design;

FIG. 2 is a bottom plan view;

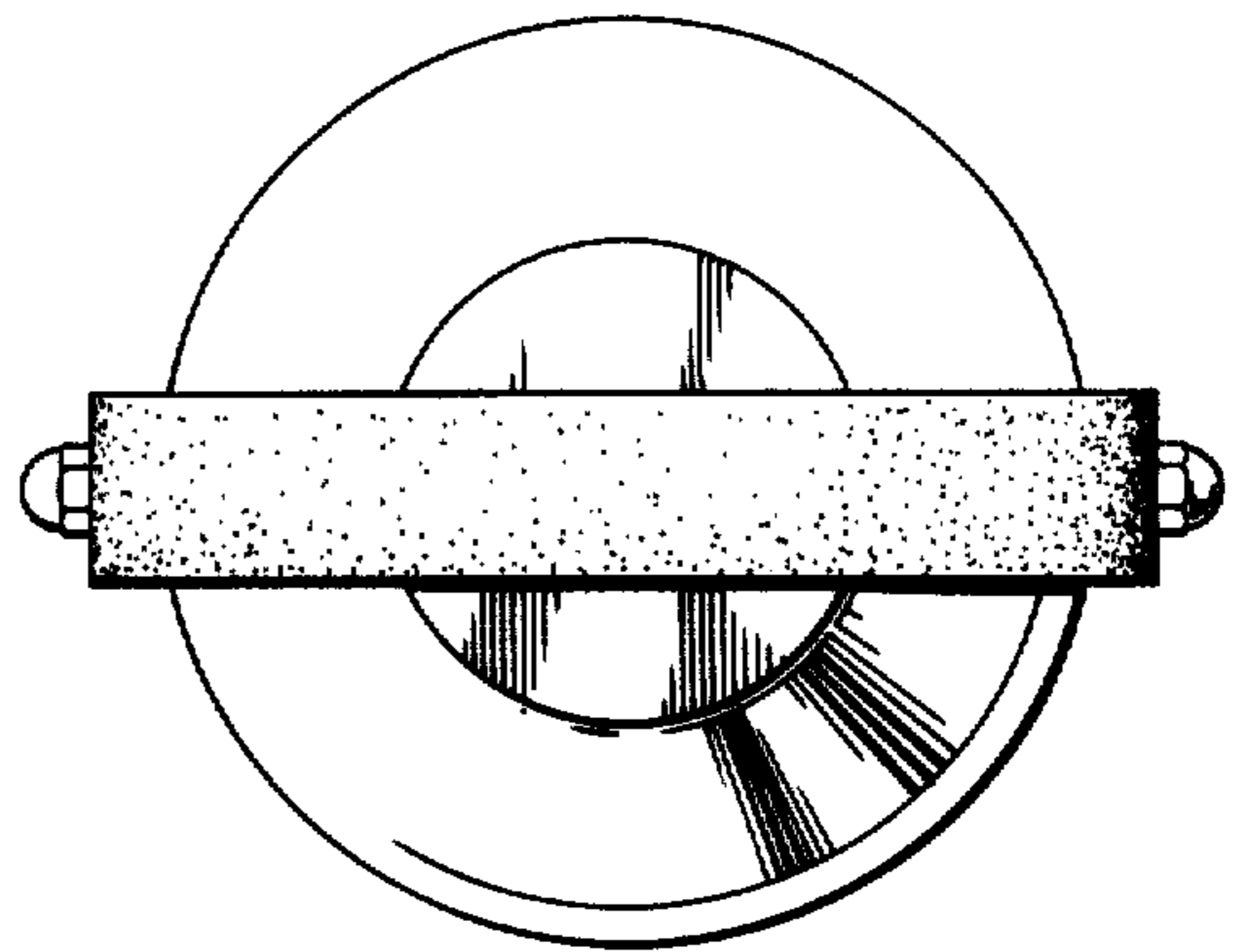
FIG. 3 is a right side elevational view, the left side being substantially a mirror image;

and FIG. 4 is a front elevational view, the rear elevational view being substantially a mirror image.

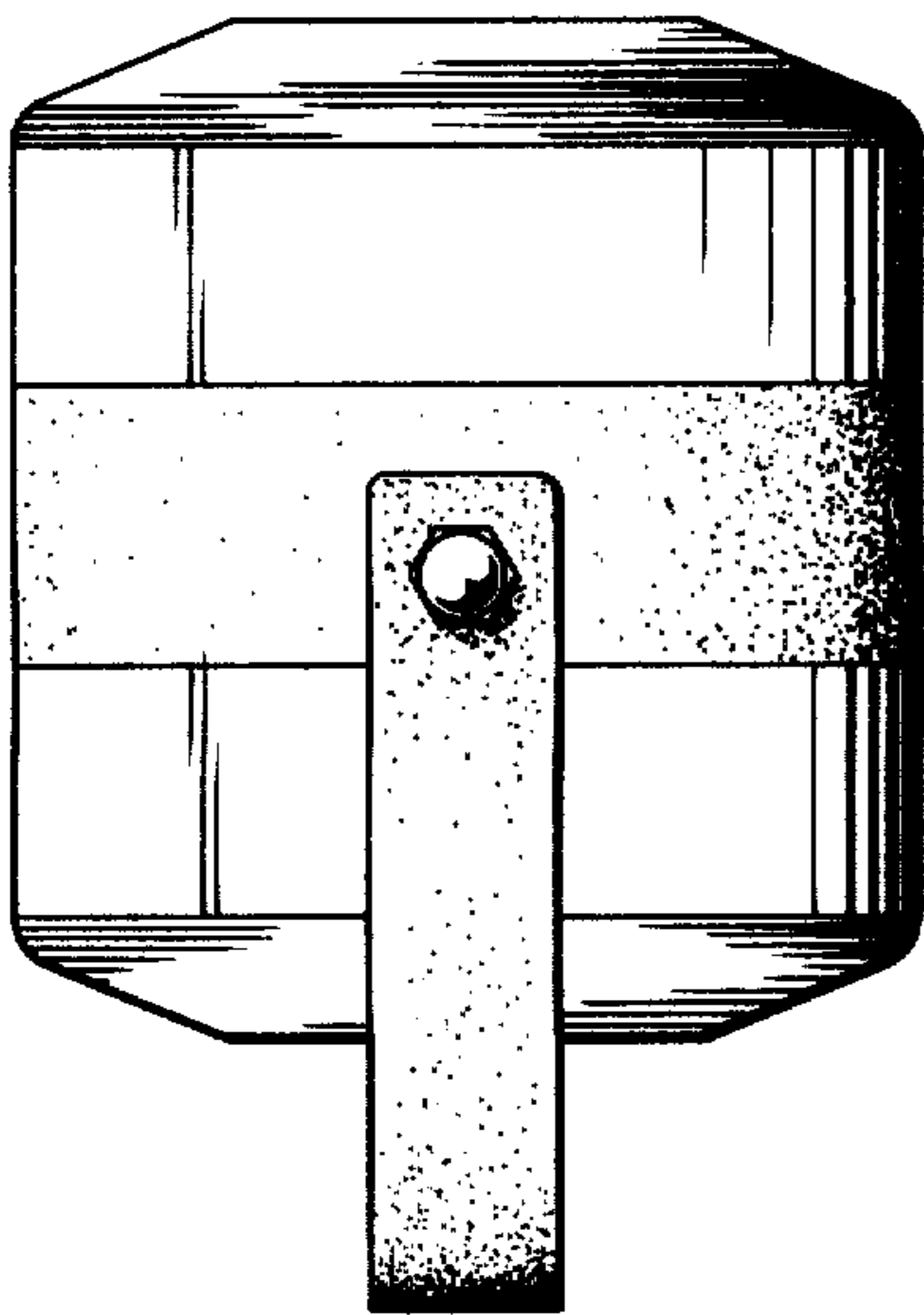




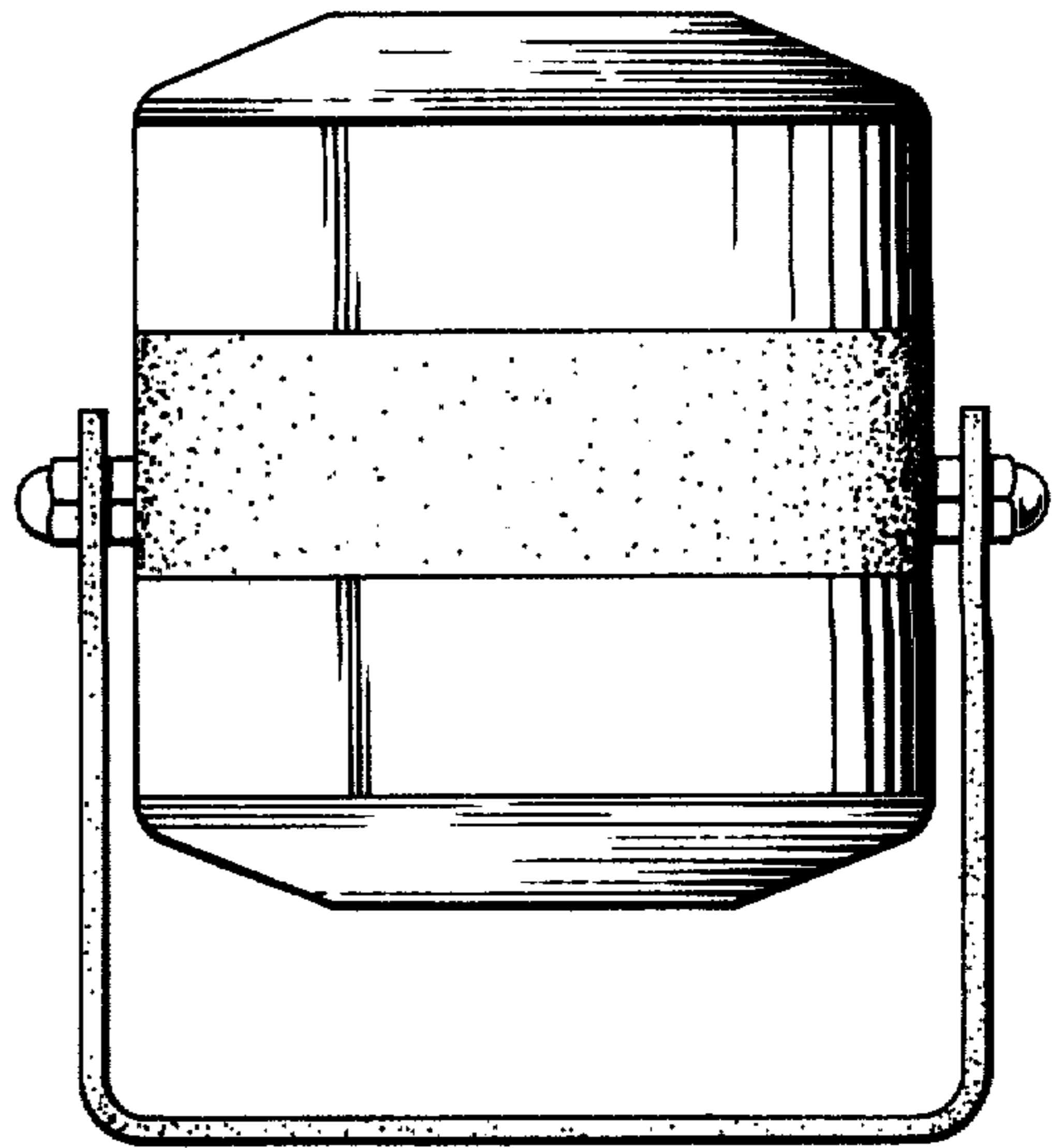
*FIG. 1*



*FIG. 2*



*FIG. 3*



*FIG. 4*