

[54] CAGE FOR THE SUPPORT ROLLERS OF A
SLIDING WINDOW OR SIMILAR ARTICLE

[76] Inventor: Raymond Dallaire, P.O. Box 220,
Lévis, Quebec, Canada

[**] Term: 14 Years

[21] Appl. No.: 953,956

[22] Filed: Oct. 23, 1978

[51] Int. Cl. D8-08

[52] U.S. Cl. D8/402; D8/400;
D25/52

[58] Field of Search 16/220, 212, DIG. 32;
49/421, 455; D8/366, 371, 400, 402, 499, 354;
D25/48, 52

[56] References Cited

U.S. PATENT DOCUMENTS

D. 223,082 3/1972 Fromm D8/371 X
D. 232,518 8/1974 McCoy D8/371
2,511,546 6/1950 Schwering 16/220

Primary Examiner—A. Hugo Word
Attorney, Agent, or Firm—Cushman, Darby & Cushman

[57] CLAIM

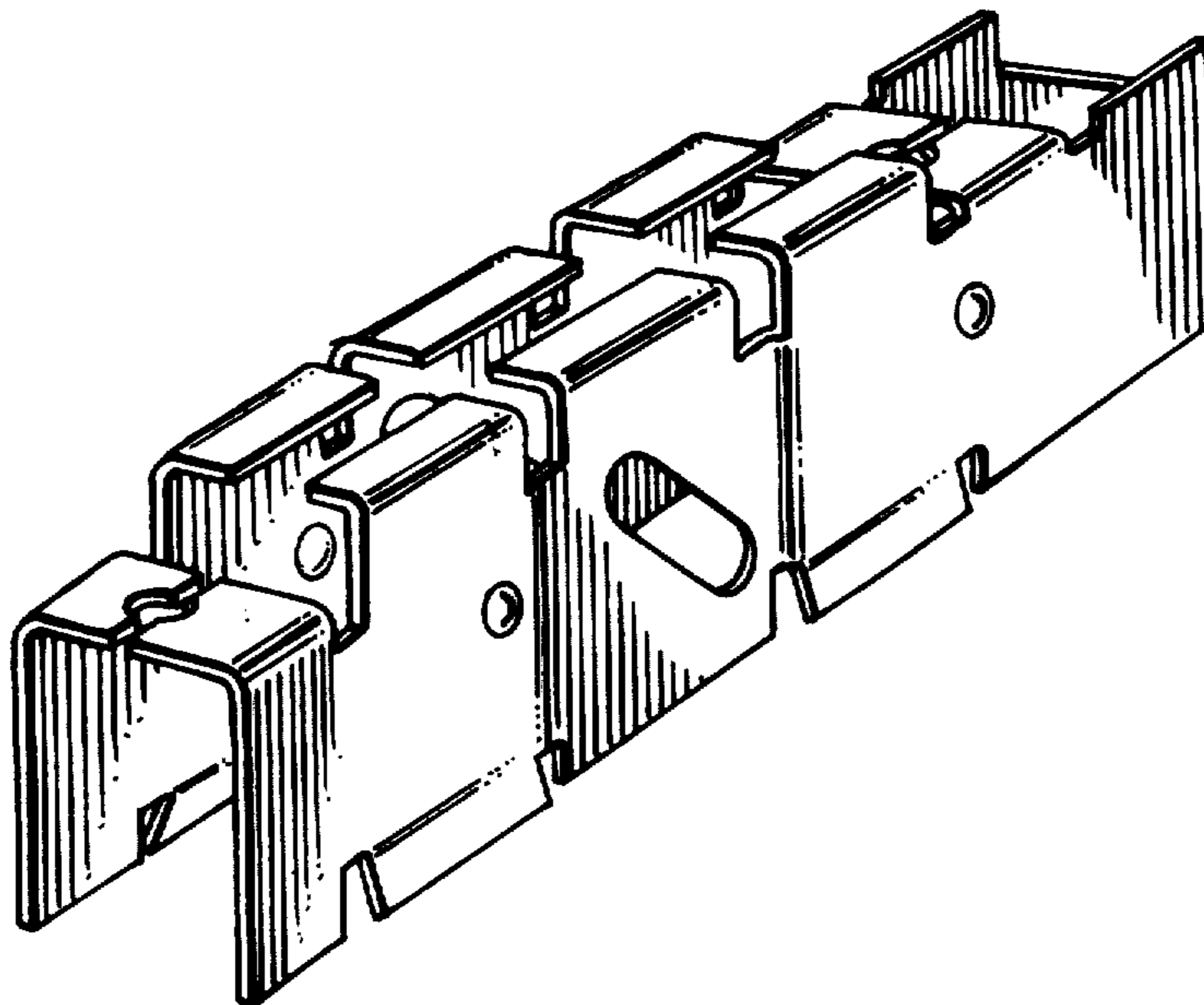
The ornamental design for a cage for the support rollers of a sliding window or similar article, as shown.

DESCRIPTION

FIG. 1 is a perspective view of a cage for the support rollers of a sliding window or similar article showing my new design, looking toward one side and end thereof; and

FIG. 2 is a perspective view thereof looking toward the same side and opposite end thereof.

The opposite side is a mirror image of the one side. The interior of the article is plain.



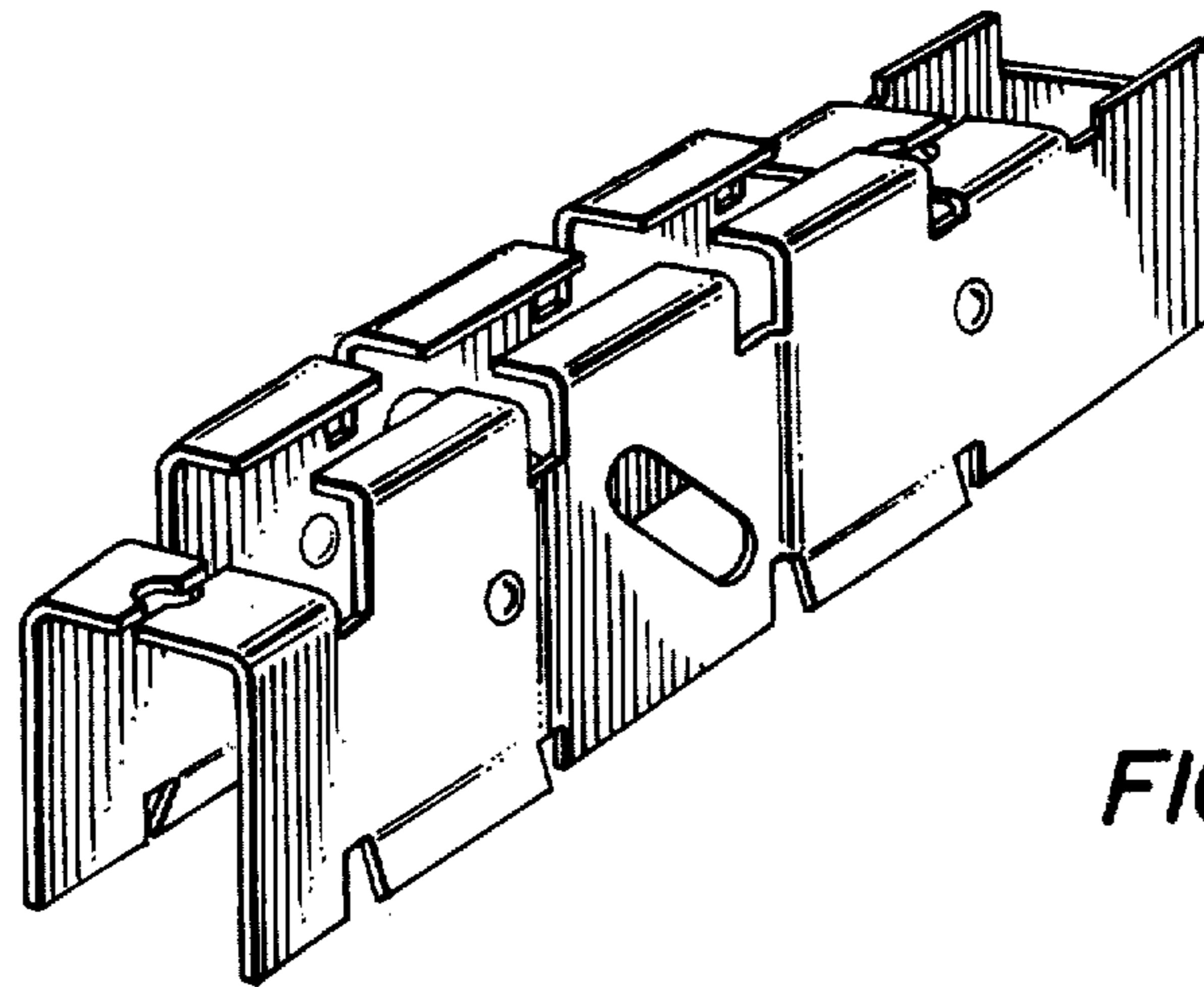


FIG. 1

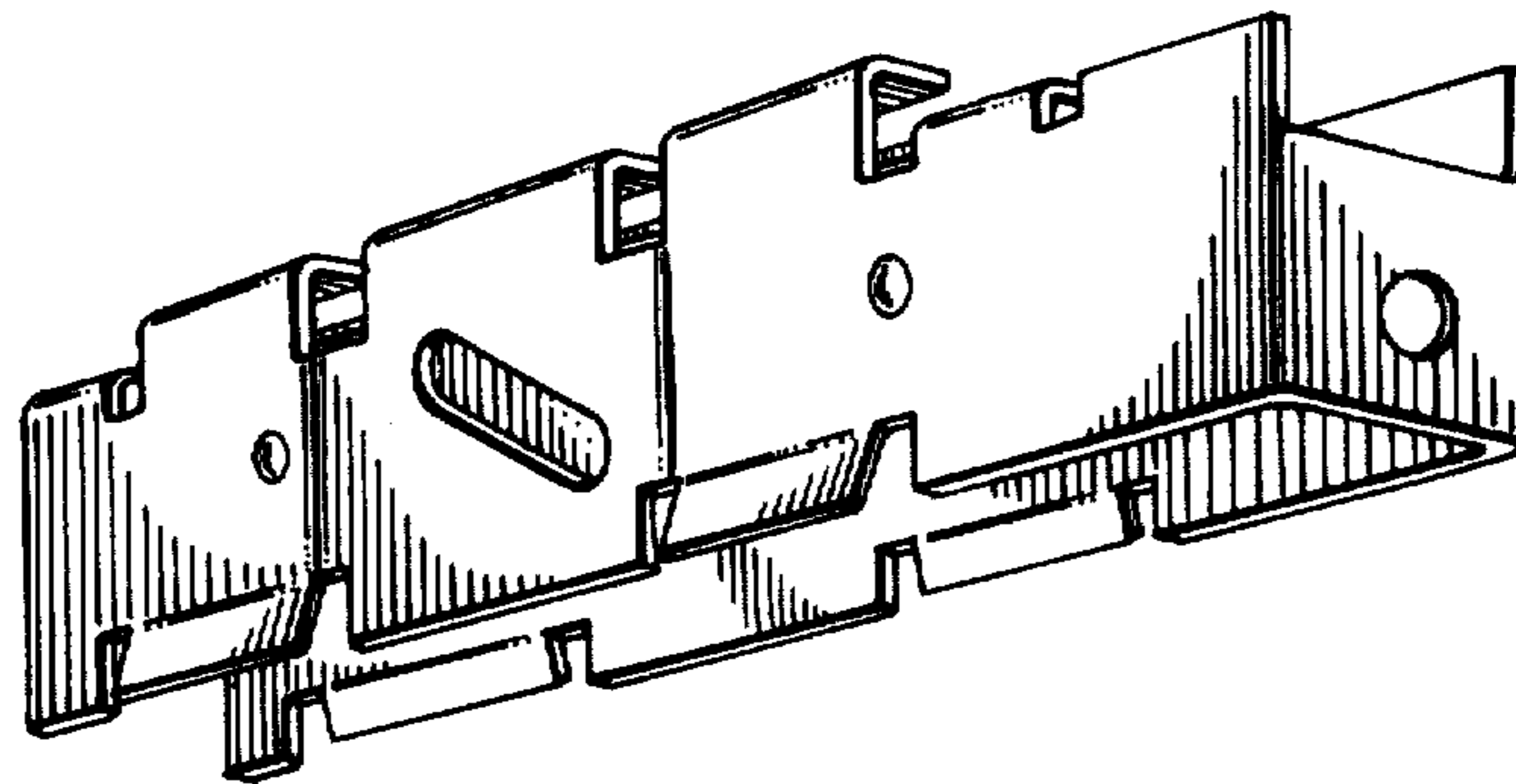


FIG. 2