

- [54] **FOOD STORAGE CONTAINER OR THE LIKE**
- [75] Inventor: **Rino Conti**, Stoughton, Mass.
- [73] Assignee: **Dart Industries Inc.**, Northbrook, Ill.
- [**] Term: **14 Years**
- [21] Appl. No.: **112,663**
- [22] Filed: **Jan. 16, 1980**

- [51] Int. Cl. **D7-01; D7-07**
- [52] U.S. Cl. **D7/76; D7/79**
- [58] Field of Search **D7/16, 77, 79, 81-84, D7/18, 76; D9/414, 425, 431, 432; 150/0.5**

[56] **References Cited**

U.S. PATENT DOCUMENTS

D. 175,202	2/1955	Tupper	D7/76
D. 238,137	12/1975	Swett	D7/79
2,752,970	7/1956	Tupper	D7/16 X
3,333,882	8/1967	Silverman	294/33
3,701,558	10/1972	Baker	294/33

OTHER PUBLICATIONS

Tupperware Catalogue, p. 14, Bread and Cereal Containers shown.

Primary Examiner—Leland A. Sebastian
Attorney, Agent, or Firm—John A. Doninger

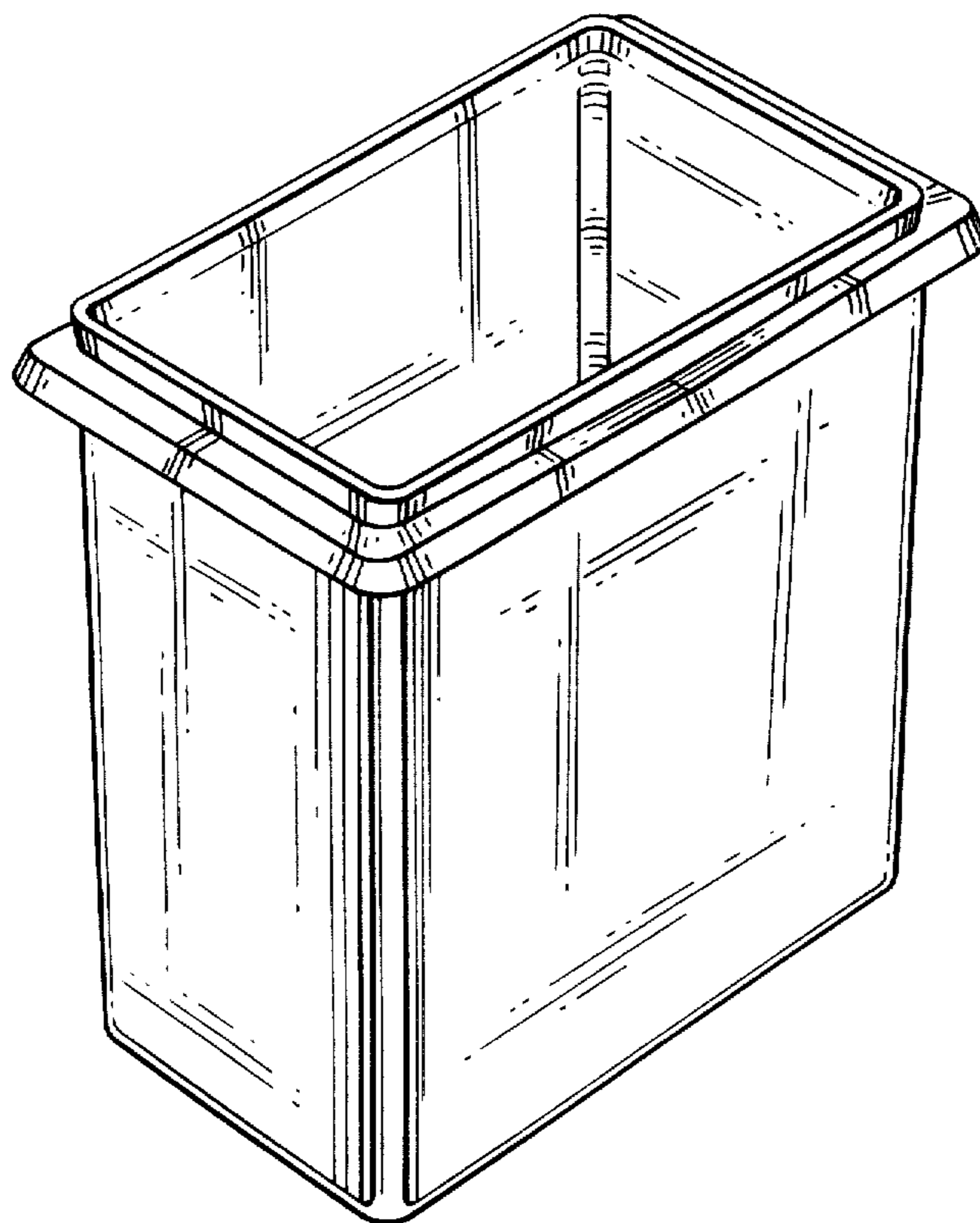
[57] **CLAIM**

The ornamental design for a food storage container or the like, substantially as is shown and described.

DESCRIPTION

FIG. 1 is a top perspective view of the food storage container or the like showing my new design; FIG. 2 is an end elevational view thereof; FIG. 3 is a top plan view thereof; FIG. 4 is a front elevational view thereof; and FIG. 5 is a bottom plan view thereof.

The design is characterized by a peripherally and outwardly extending rim positioned adjacent the open end of the food storage container, which rim projects to a greater extent from the container end side walls exterior surfaces than from the front and rear wall exterior surfaces and the upper surface of such rim along its front and rear wall extents slopes slightly downwardly from each end wall to a substantially container center-line juncture.



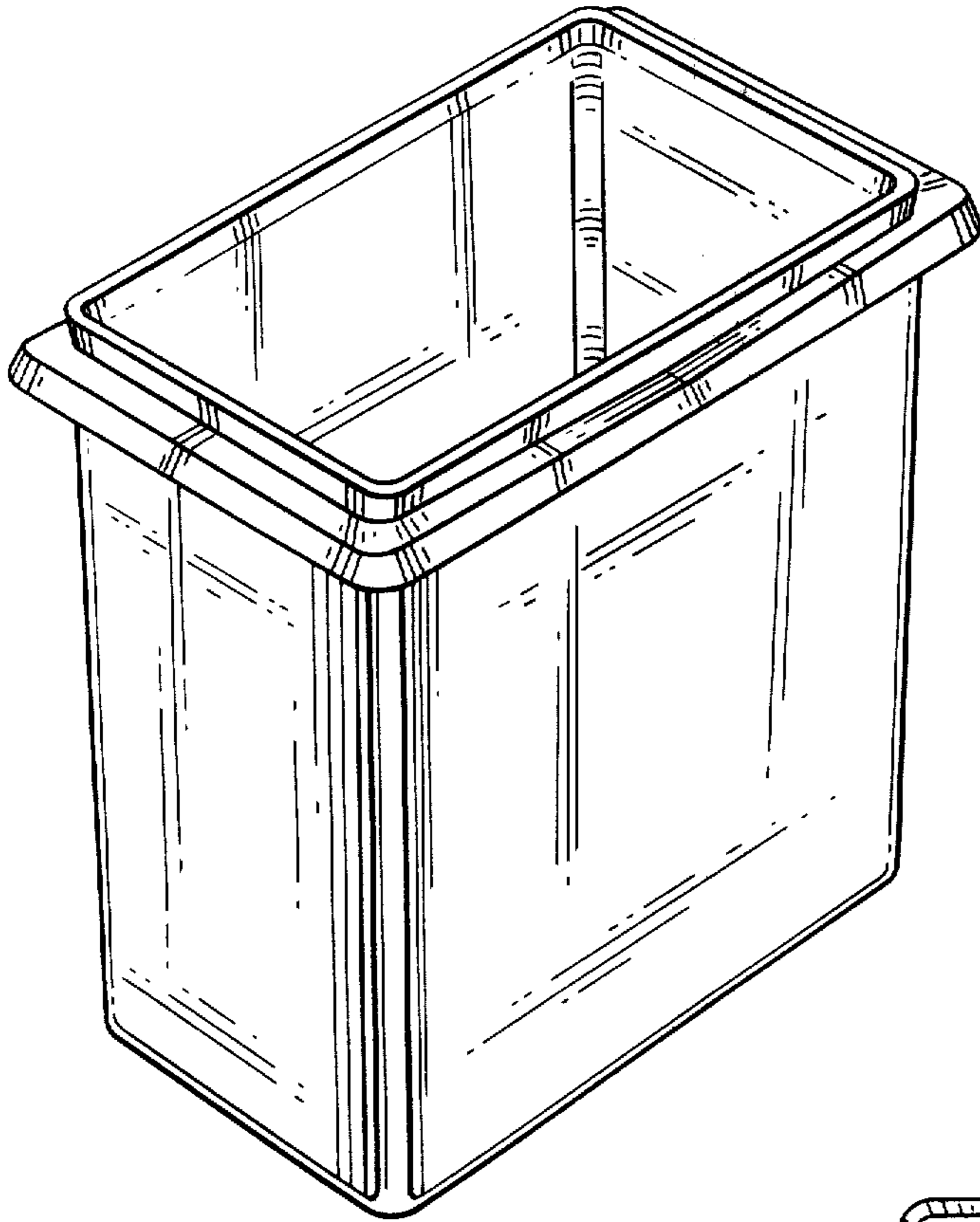


FIG. 1

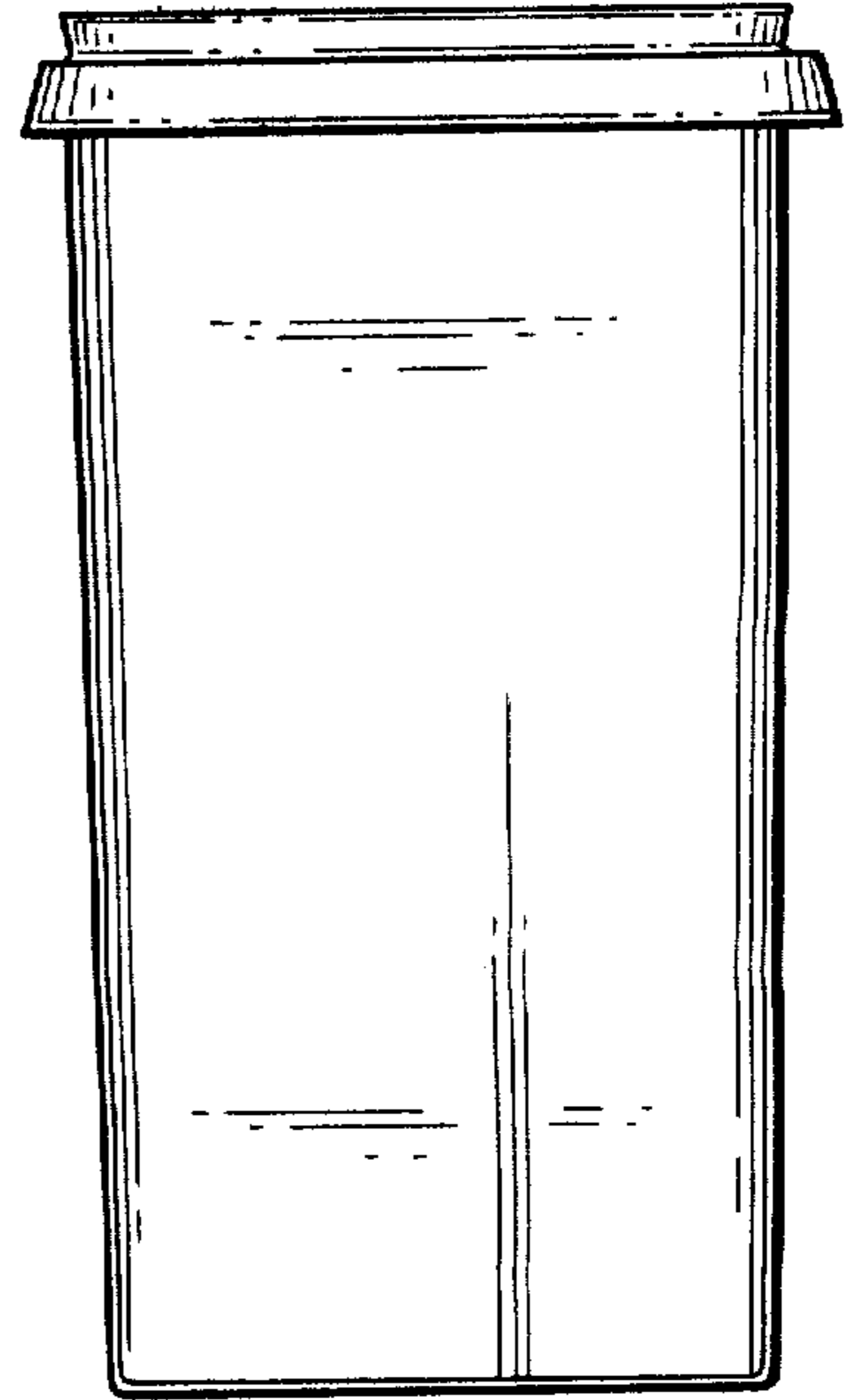


FIG. 2

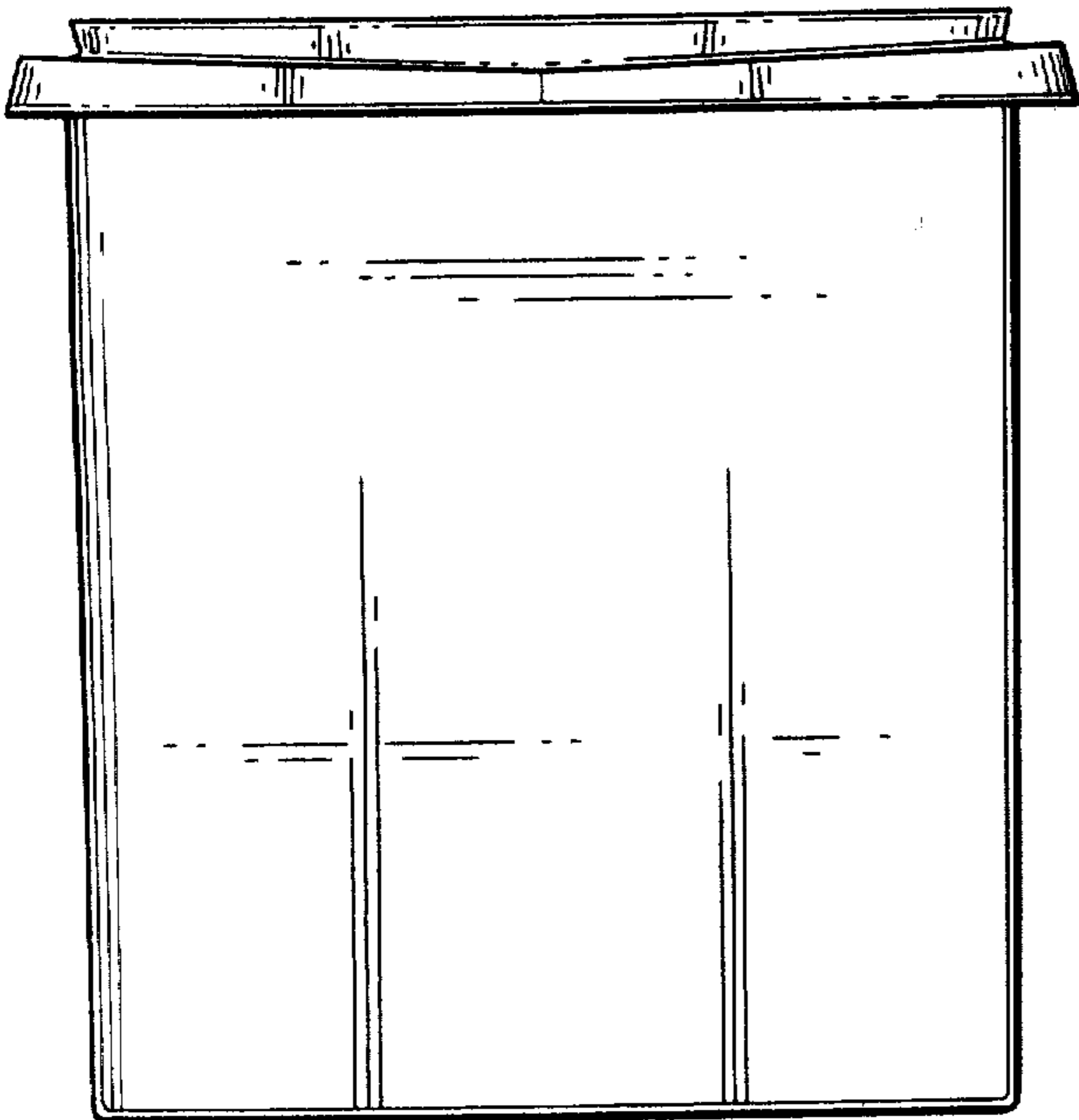


FIG. 4

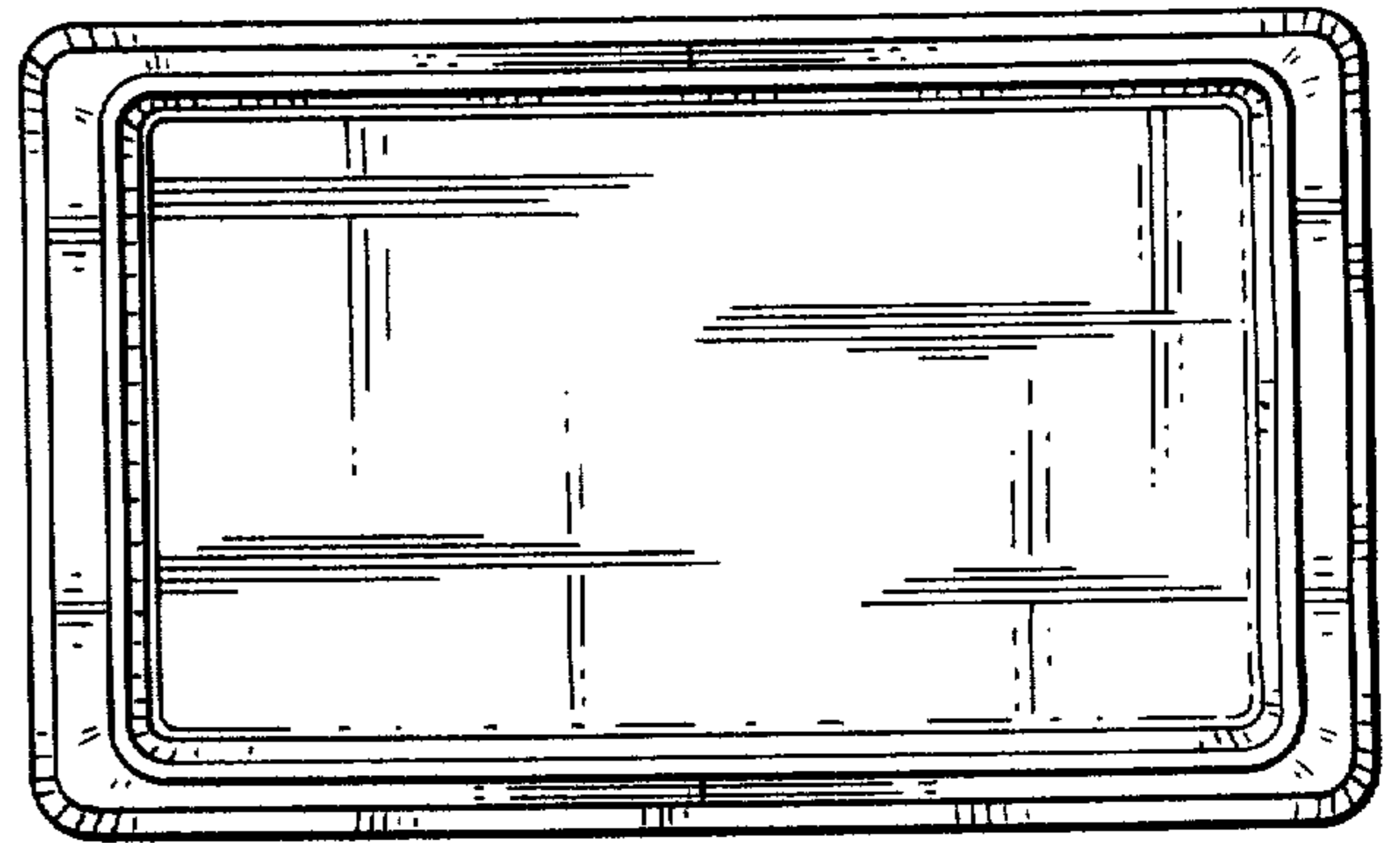


FIG. 3

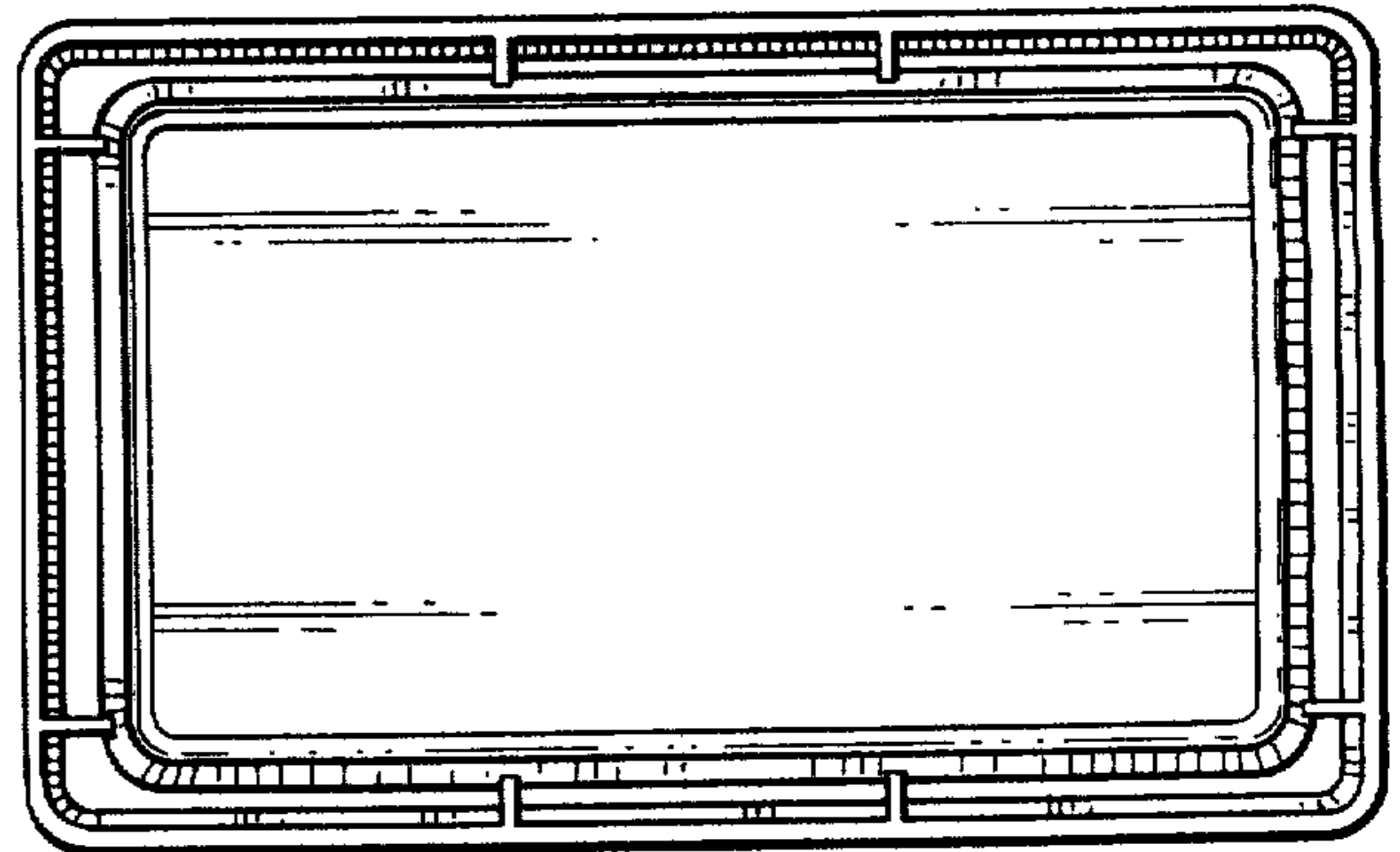


FIG. 5