

[54] FURNITURE BASE

[75] Inventor: Kenneth H. Striebel, Kokomo, Ind.

[73] Assignee: Kofabco, Inc., Peru, Ind.

[**] Term: 14 Years

[21] Appl. No.: 74,877

[22] Filed: Sep. 12, 1979

[51] Int. Cl. D6-06

[52] U.S. Cl. D6/194

[58] Field of Search D6/30, 31, 194, 196, D6/28

[56] References Cited

U.S. PATENT DOCUMENTS

- D. 233,812 12/1974 Platner D6/196
- D. 244,729 6/1977 Buhk D6/31

OTHER PUBLICATIONS

Interiors, 12/61, p. 129, Chair Base, left center, by Albano.

Primary Examiner—Bruce W. Dunkins

Attorney, Agent, or Firm—Woodard, Weikart, Emhardt & Naughton

[57] CLAIM

The ornamental design for a furniture base, as shown and described.

DESCRIPTION

FIG. 1 is a top plan view of a furniture base showing my new design;

FIG. 2 is a side elevational view thereof, the other three side elevational views taken at 90°, 180° and 270° to FIG. 2 being substantially identical thereto;

FIG. 3 is a bottom plan view thereof;

FIG. 4 is a top plan view of an alternative embodiment of the present invention;

FIG. 5 is a side elevational view thereof, the other three side elevational views taken at 90°, 180° and 270° to FIG. 5 being substantially identical thereto;

FIG. 6 is a bottom plan view thereof;

FIG. 7 is a top plan view of a further alternative embodiment of the invention;

FIG. 8 is a side elevational view thereof, the other three side elevational views taken at 90°, 180° and 270° to FIG. 8 being substantially identical thereto;

FIG. 9 is a bottom plan view thereof;

FIG. 10 is a top plan view of another alternative embodiment of the present invention;

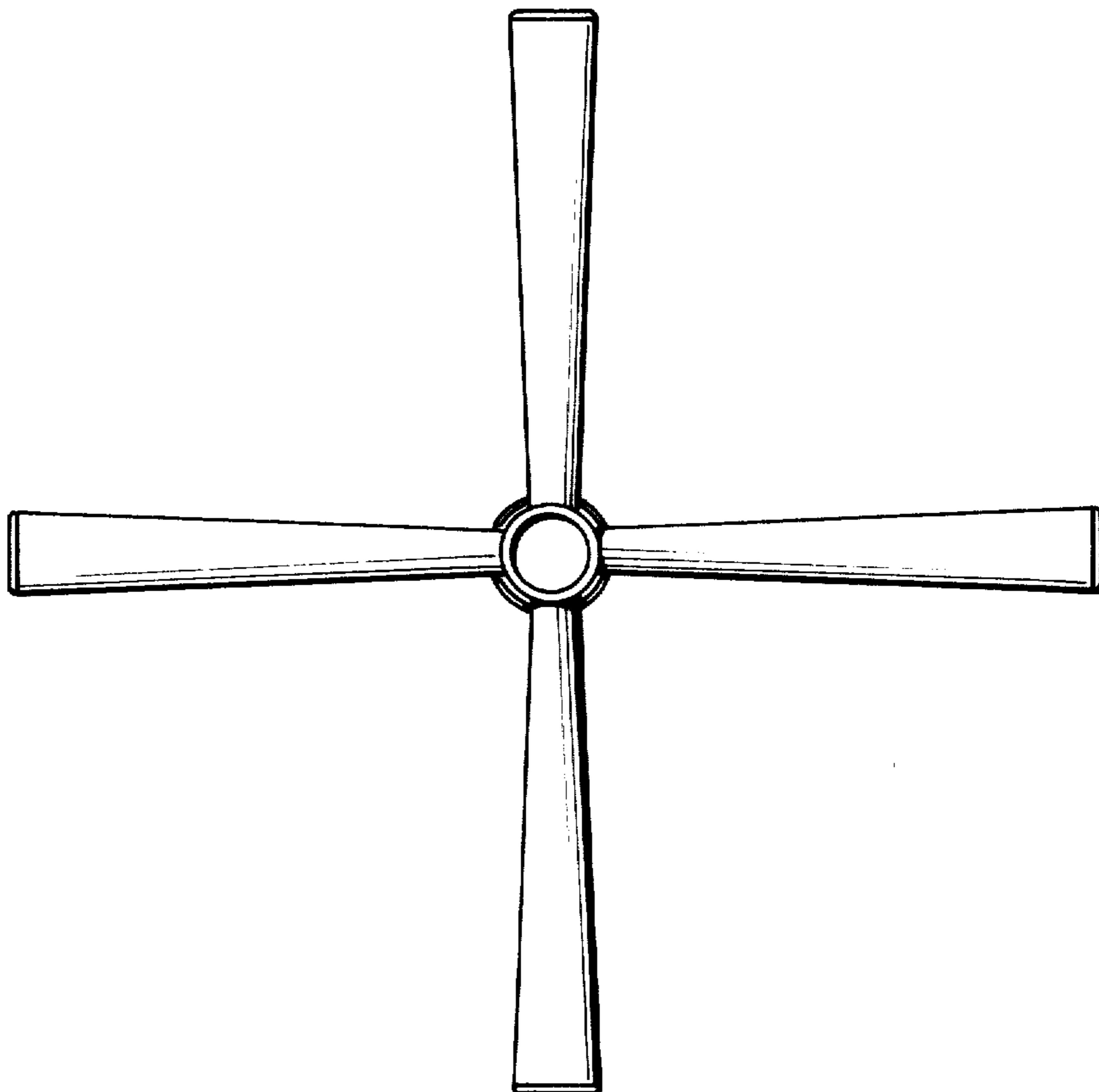
FIG. 11 is a side elevational view thereof, the other three side elevational views taken at 90°, 180° and 270° to FIG. 11 being substantially identical thereto;

FIG. 12 is a bottom plan view thereof;

FIG. 13 is a top plan view of still another alternative embodiment of the present invention;

FIG. 14 is a side elevational view thereof, the other three side elevational views taken at 90°, 180° and 270° to FIG. 14 being substantially identical thereto;

FIG. 15 is a bottom plan view thereof.



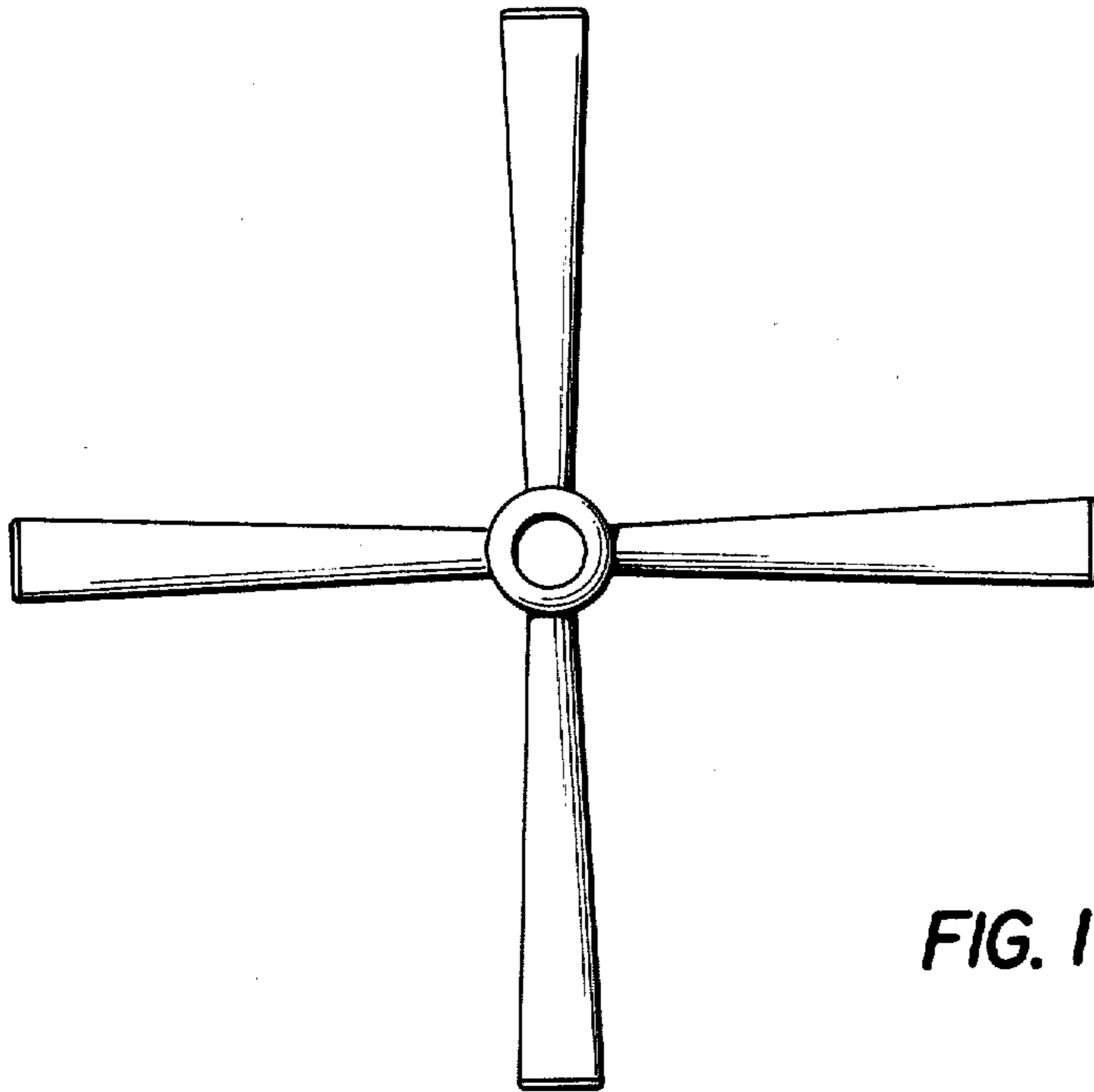


FIG. 1

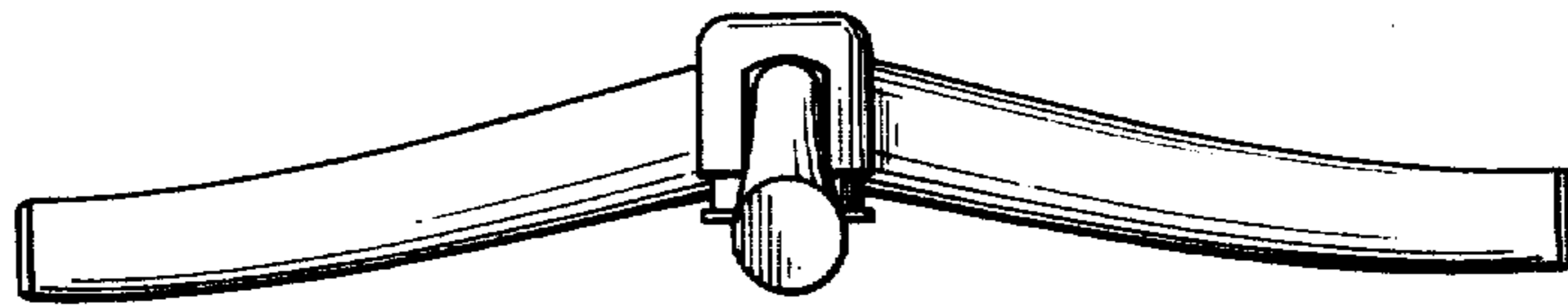


FIG. 2

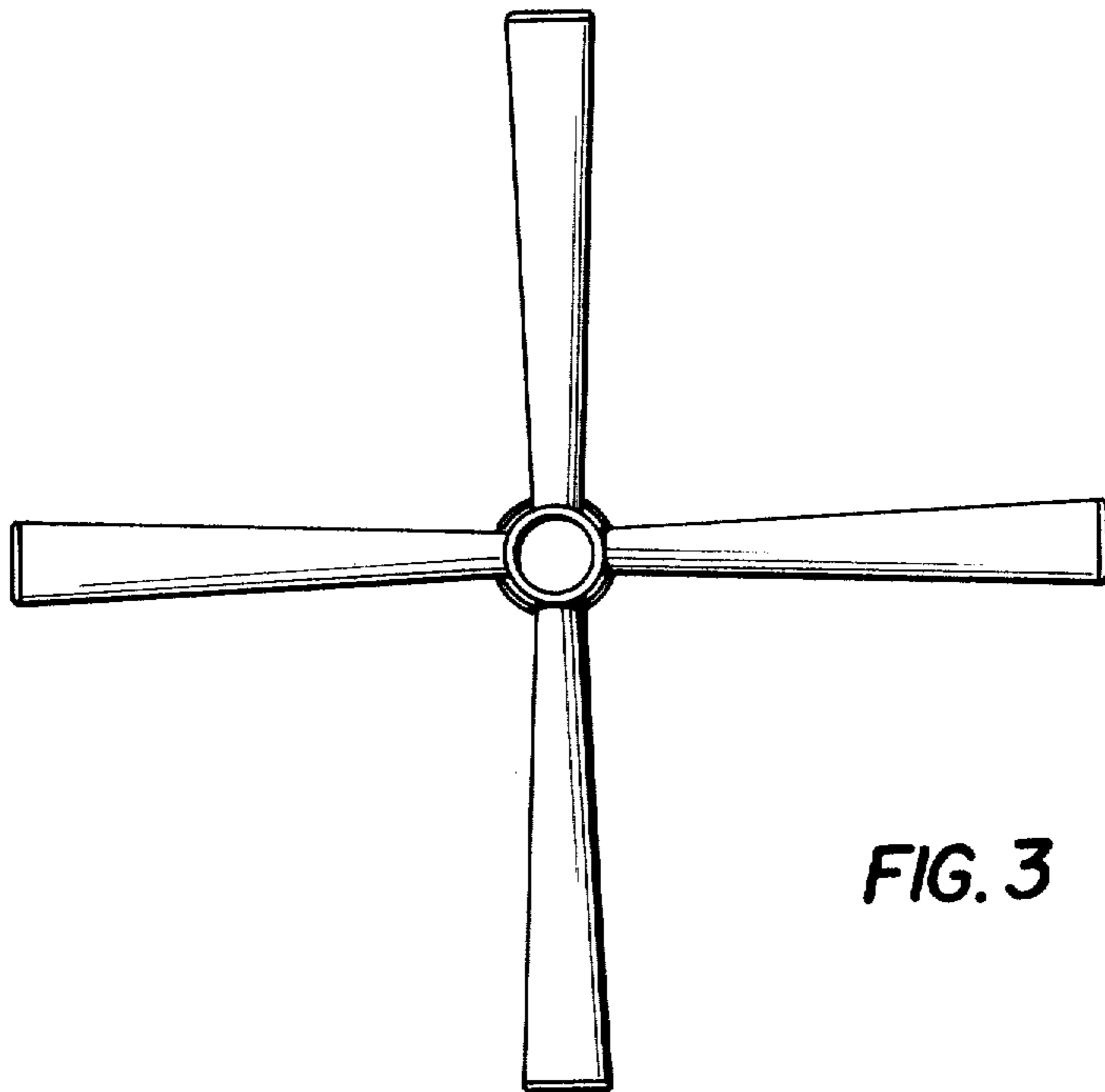


FIG. 3

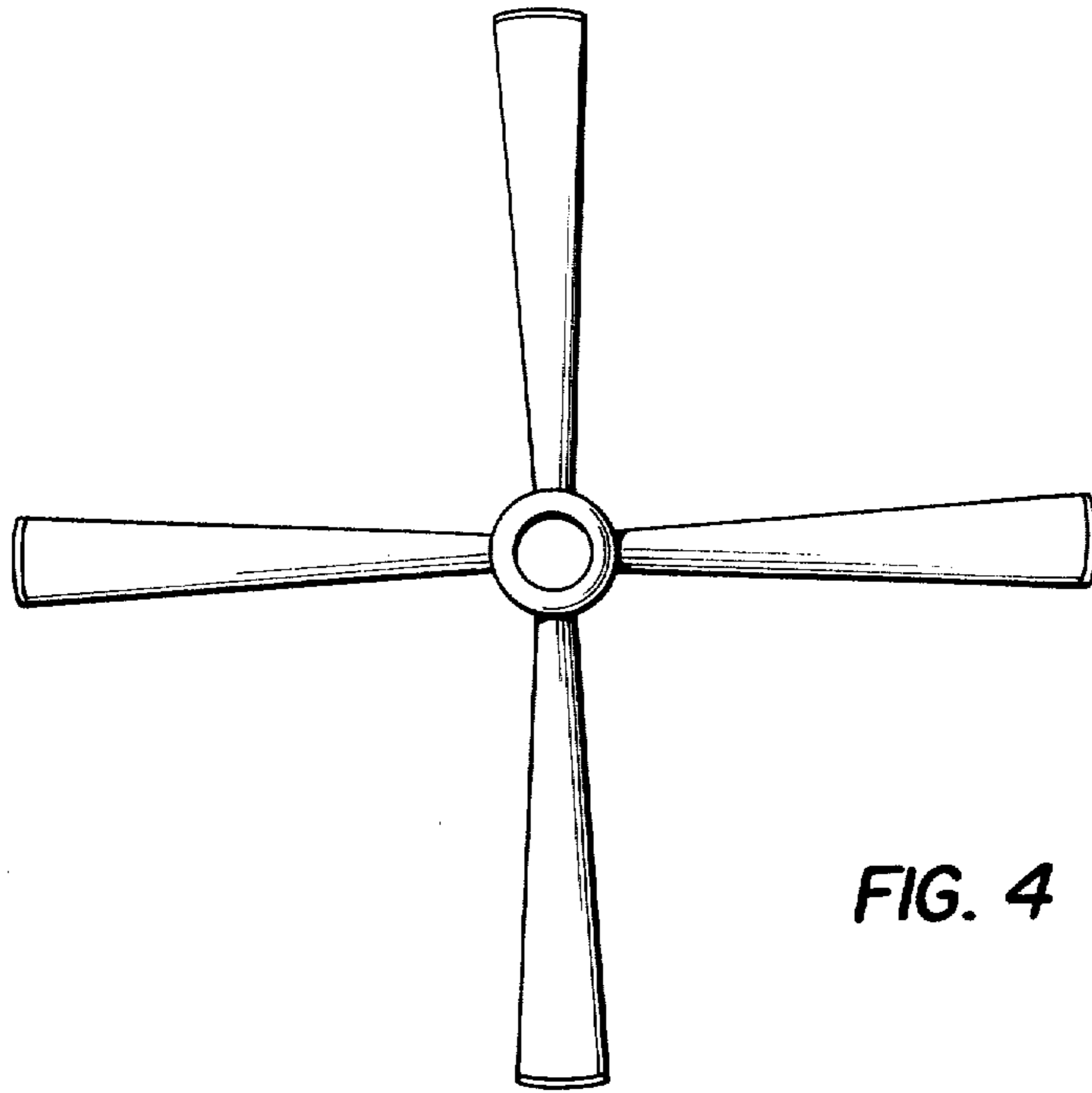


FIG. 4

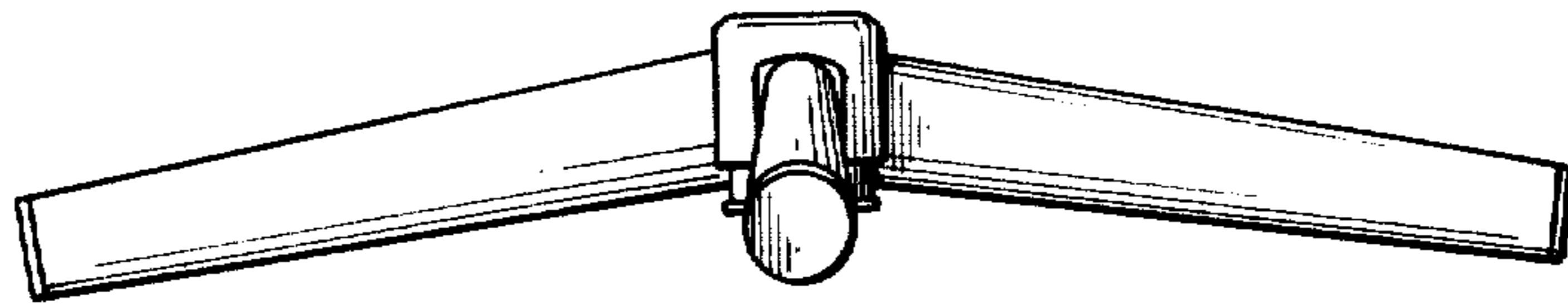


FIG. 5

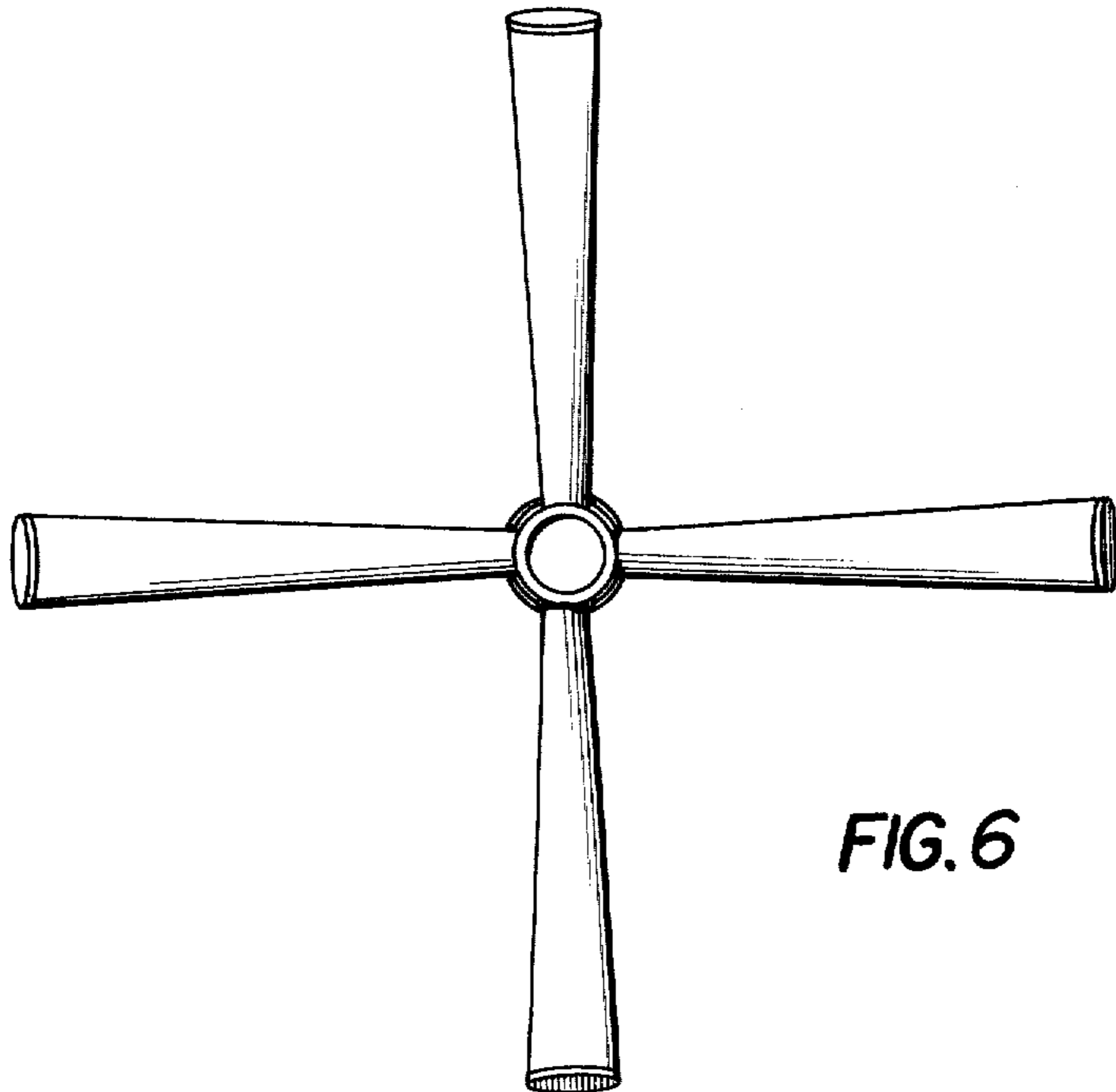


FIG. 6

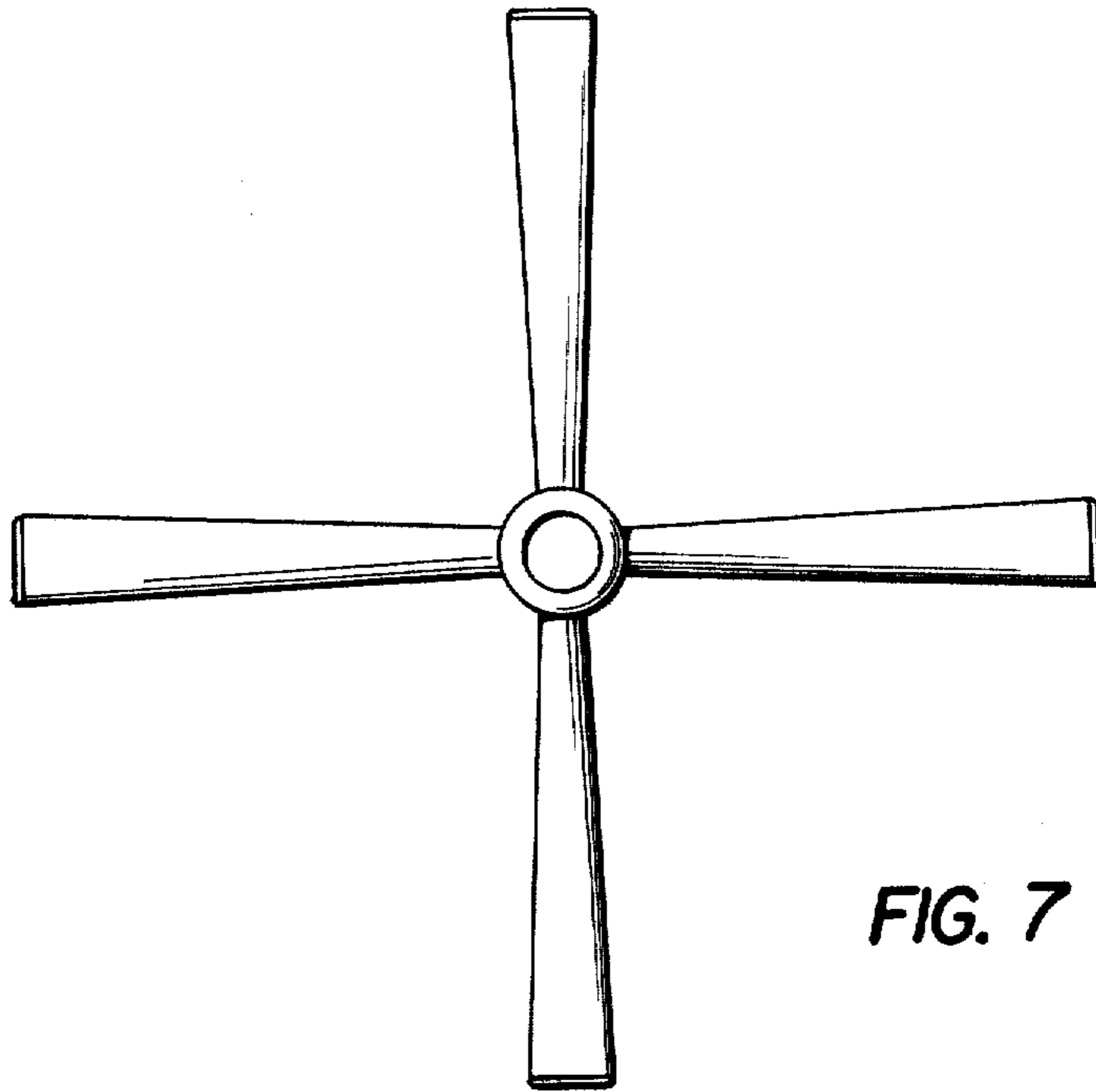


FIG. 7

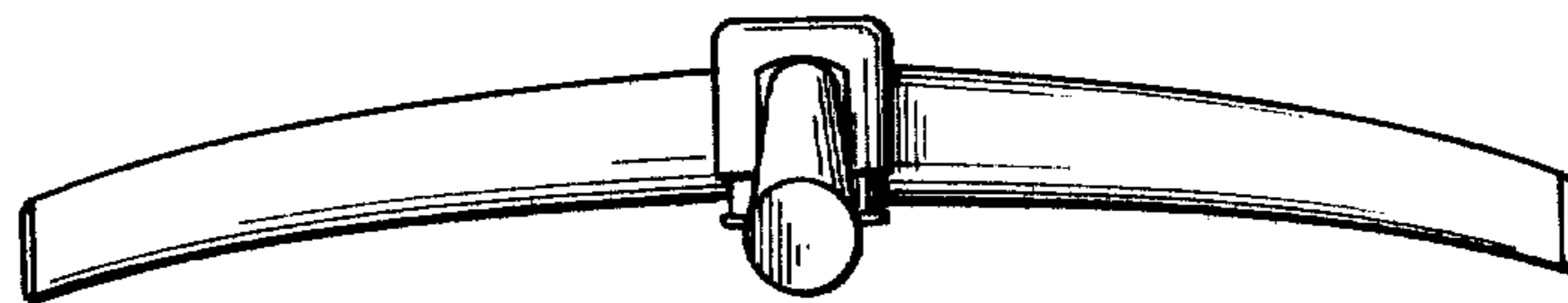


FIG. 8

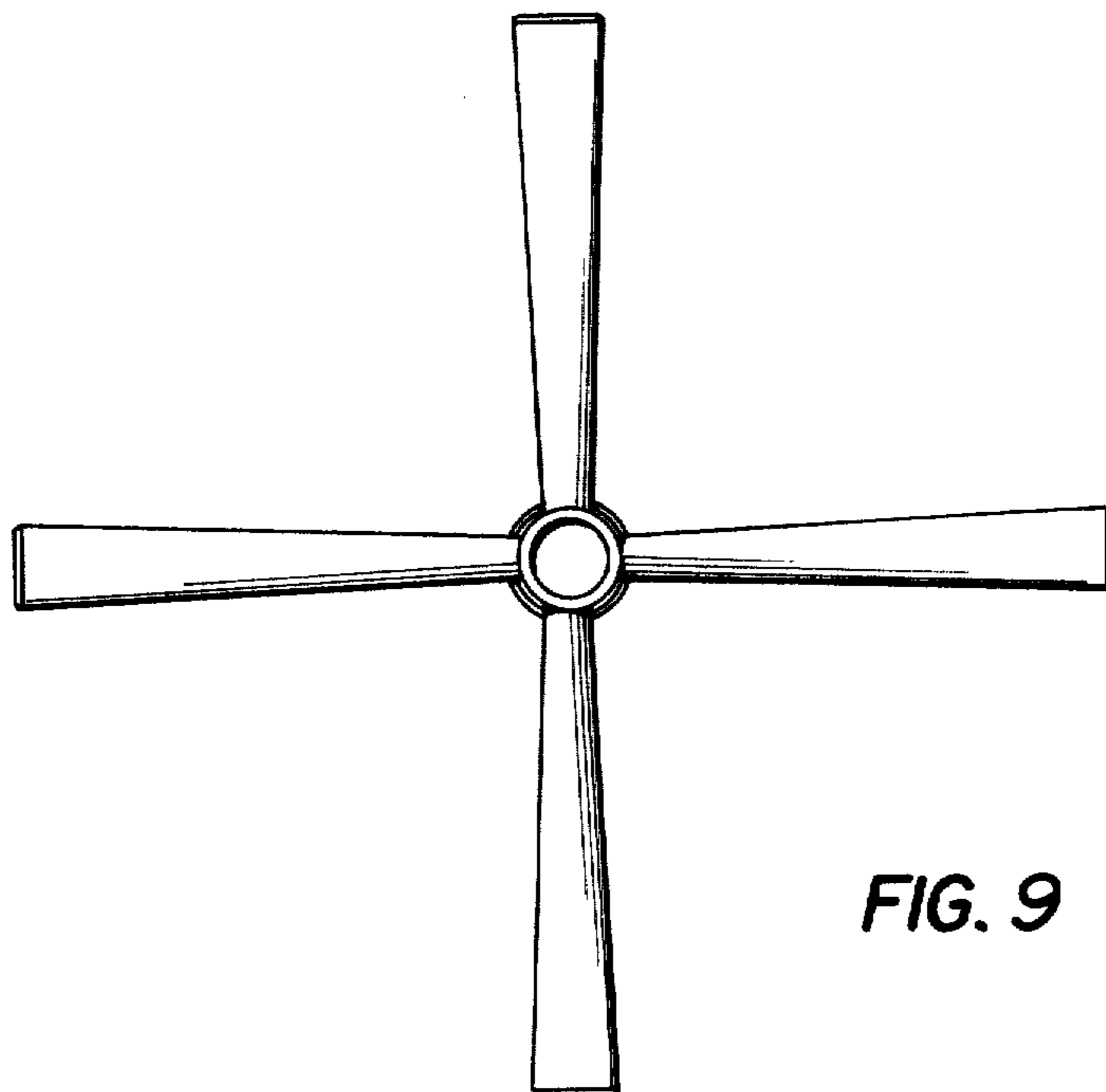


FIG. 9

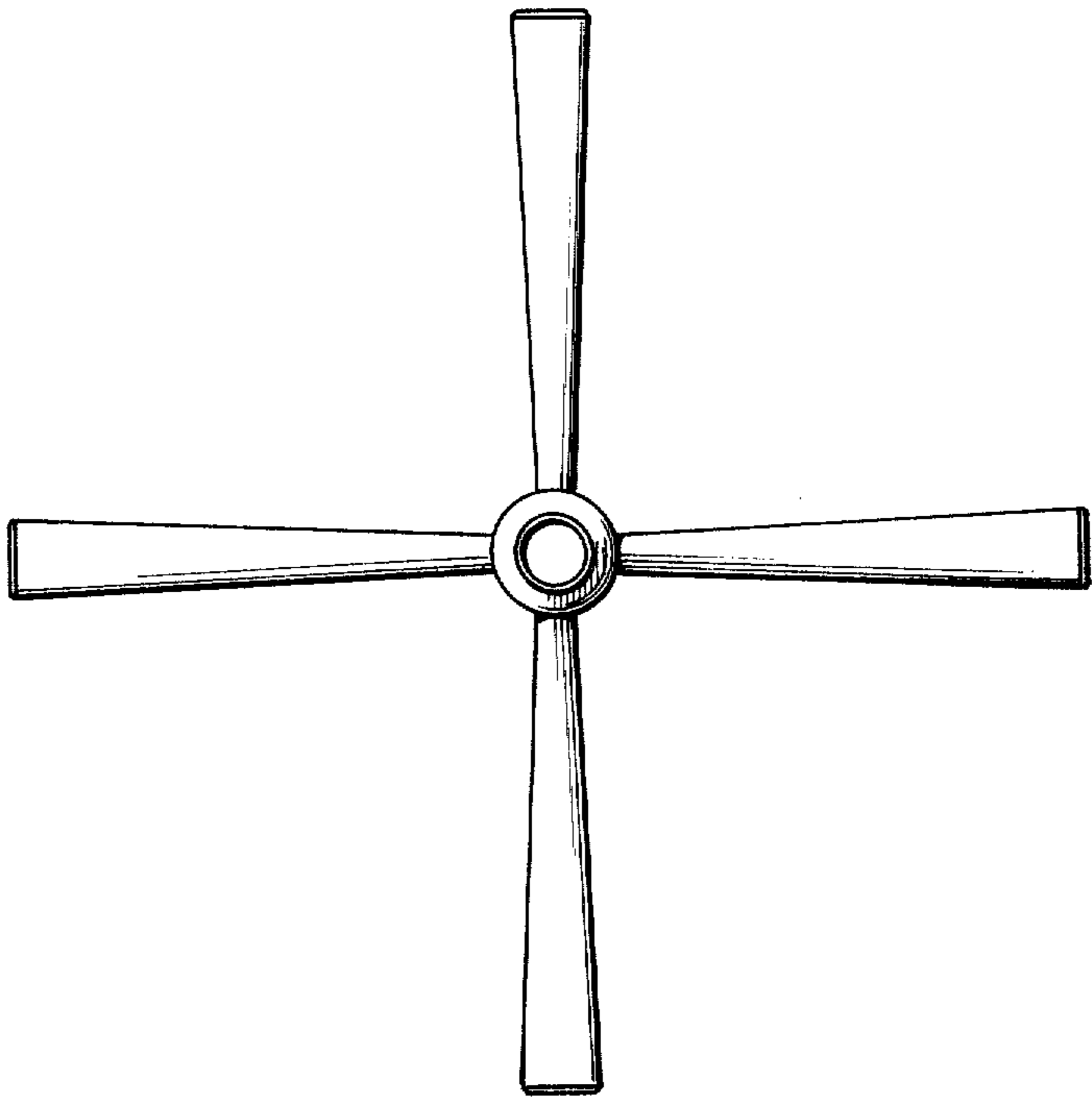


FIG. 10

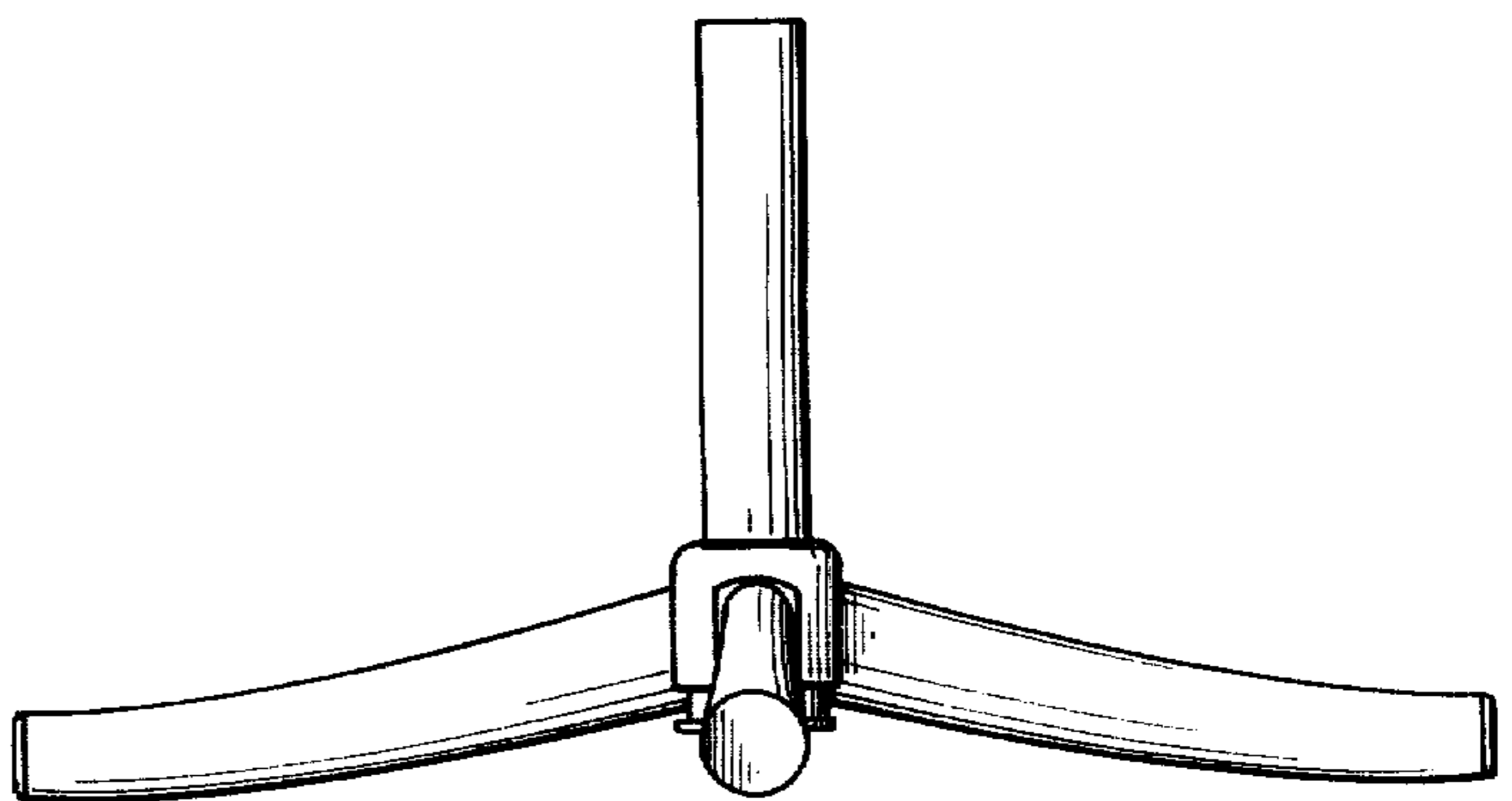


FIG. 11

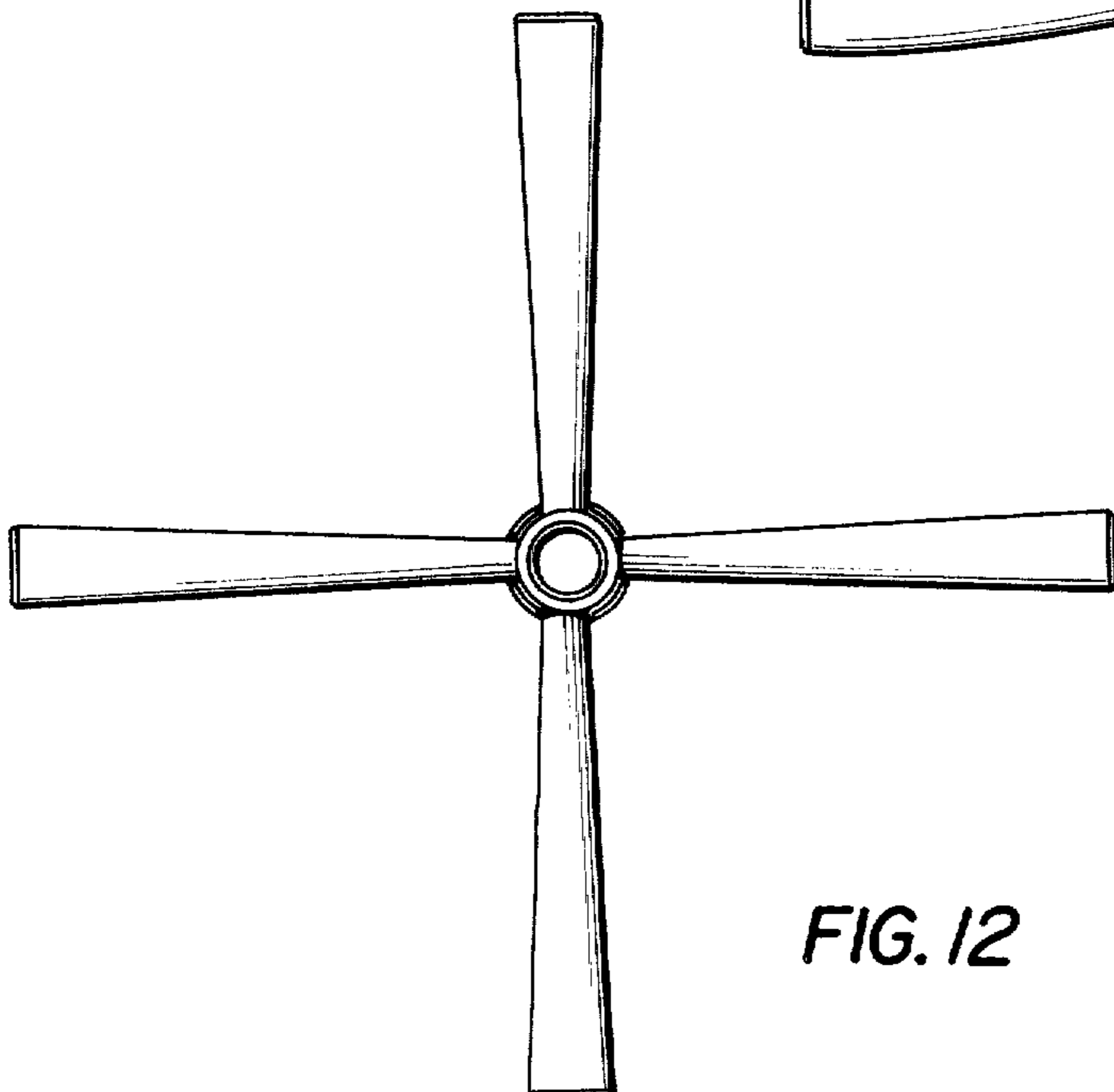


FIG. 12

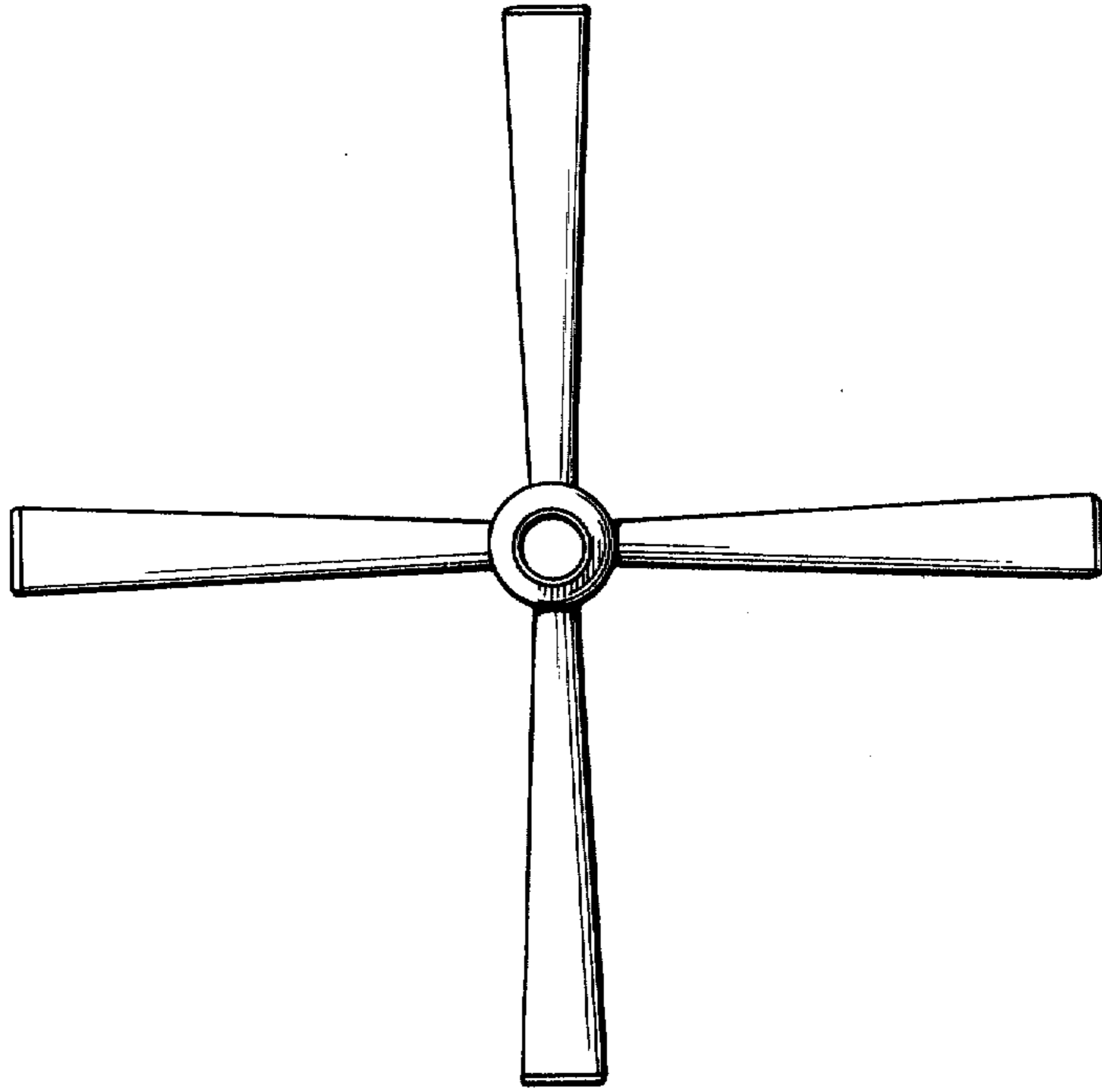


FIG. 13

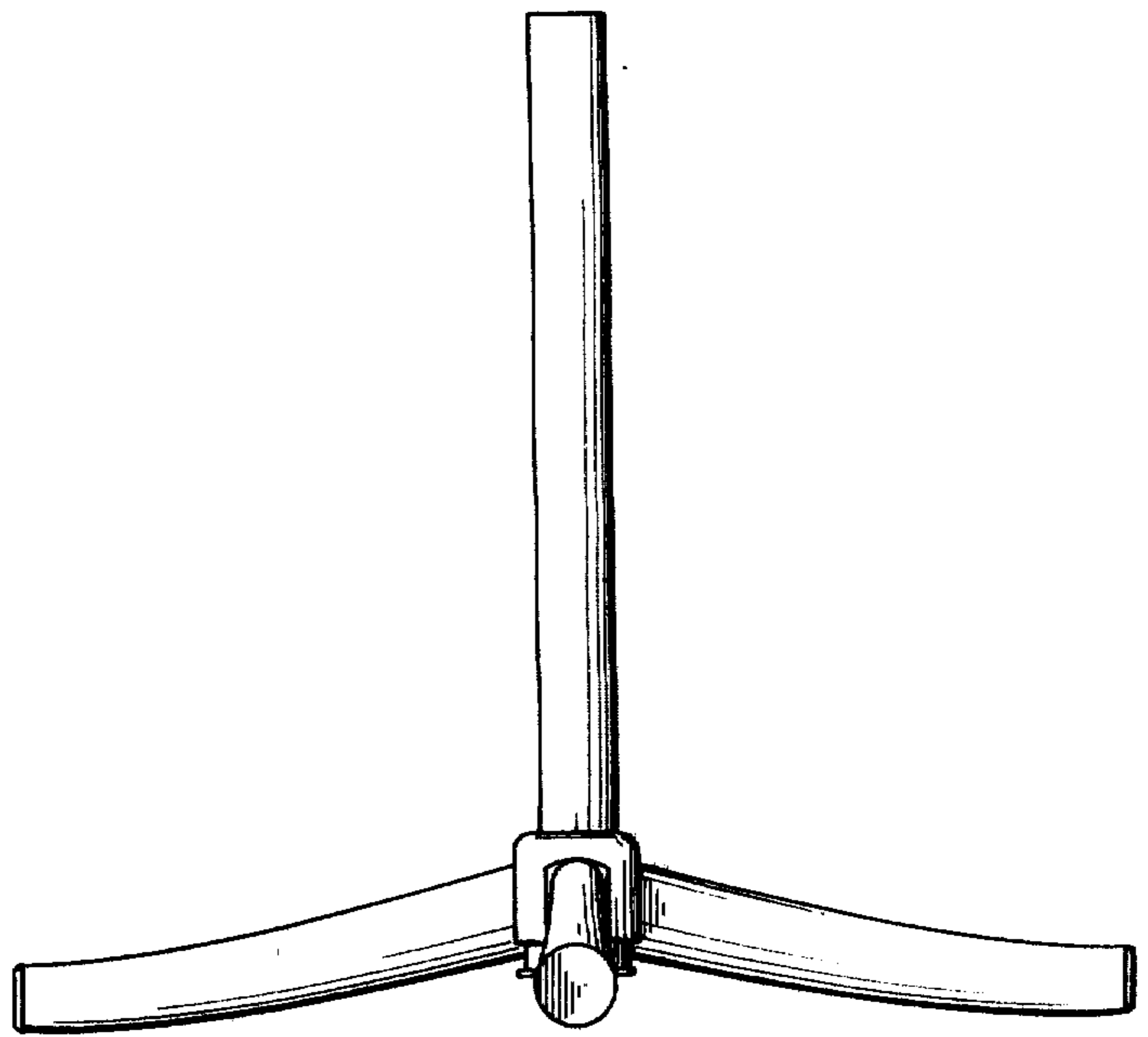


FIG. 14

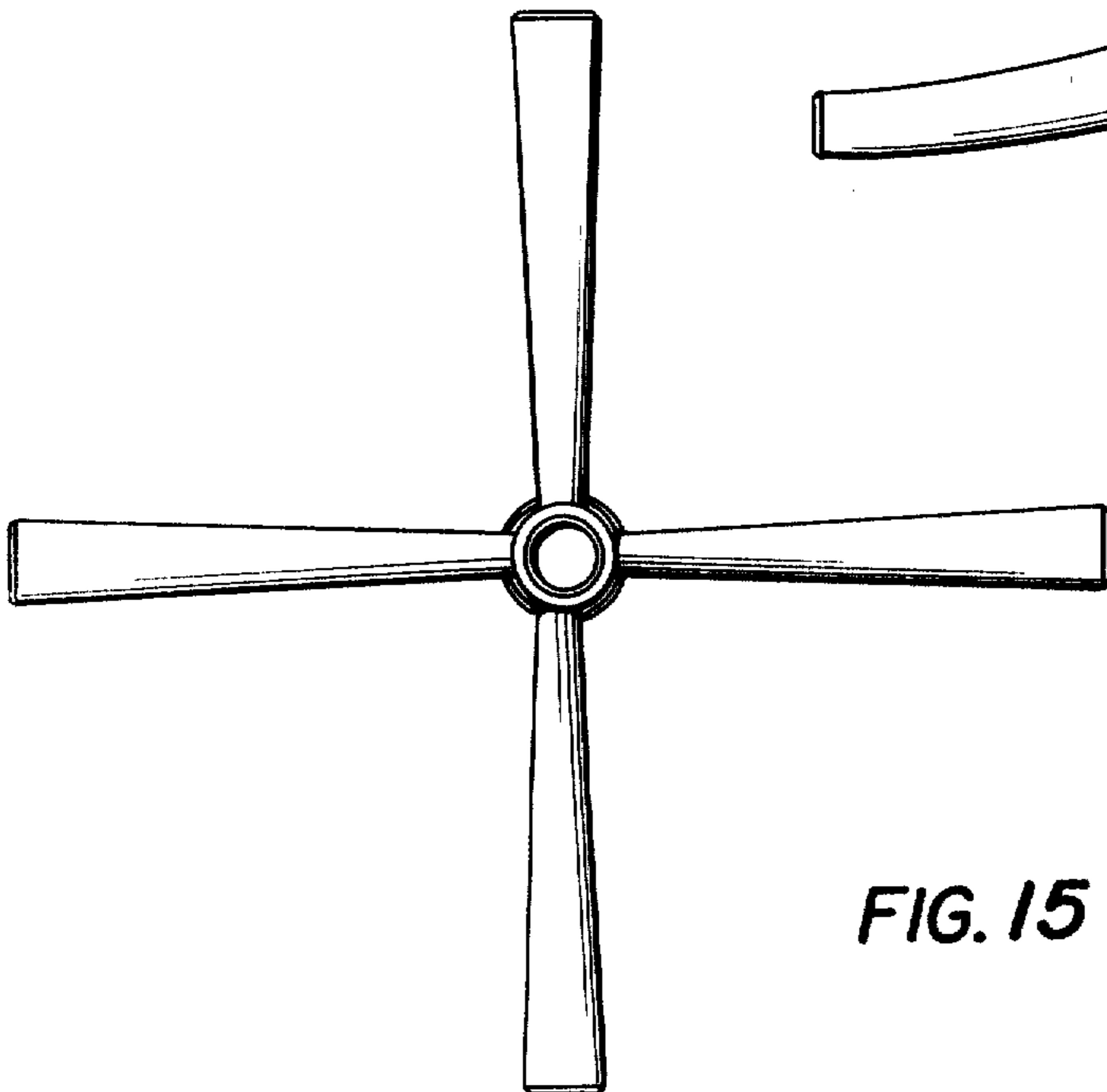


FIG. 15