

[54] COMBINED DESK AND BILLIARD TABLE

[76] Inventor: Leonides Y. Teves, 623 39th St., West Bradenton, Fla. 33505

[\*\*] Term: 14 Years

[21] Appl. No.: 122,991

[22] Filed: Feb. 20, 1980

[51] Int. Cl. .... D6-03

[52] U.S. Cl. .... D6/4; D6/161; D6/177; D21/232

[58] Field of Search ..... D6/158, 159, 160, 161, D6/167, 168, 169, 181, 177, 178, 179, 165, 172, 162, 158, 4; 312/194, 250; D21/232

[56] References Cited

U.S. PATENT DOCUMENTS

D. 167,190	7/1952	Blazey et al. ....	D6/165
D. 200,855	4/1965	Greene .....	D6/159 X
D. 210,465	3/1968	Eide .....	D6/162
D. 215,220	9/1969	Eide .....	D6/158
D. 223,765	6/1972	O'Leary .....	D21/232 X
D. 249,971	10/1978	Fields, Jr. ....	D21/232

FOREIGN PATENT DOCUMENTS

824245	7/1949	Fed. Rep. of Germany .....	312/194
928325	5/1955	Fed. Rep. of Germany .....	312/194

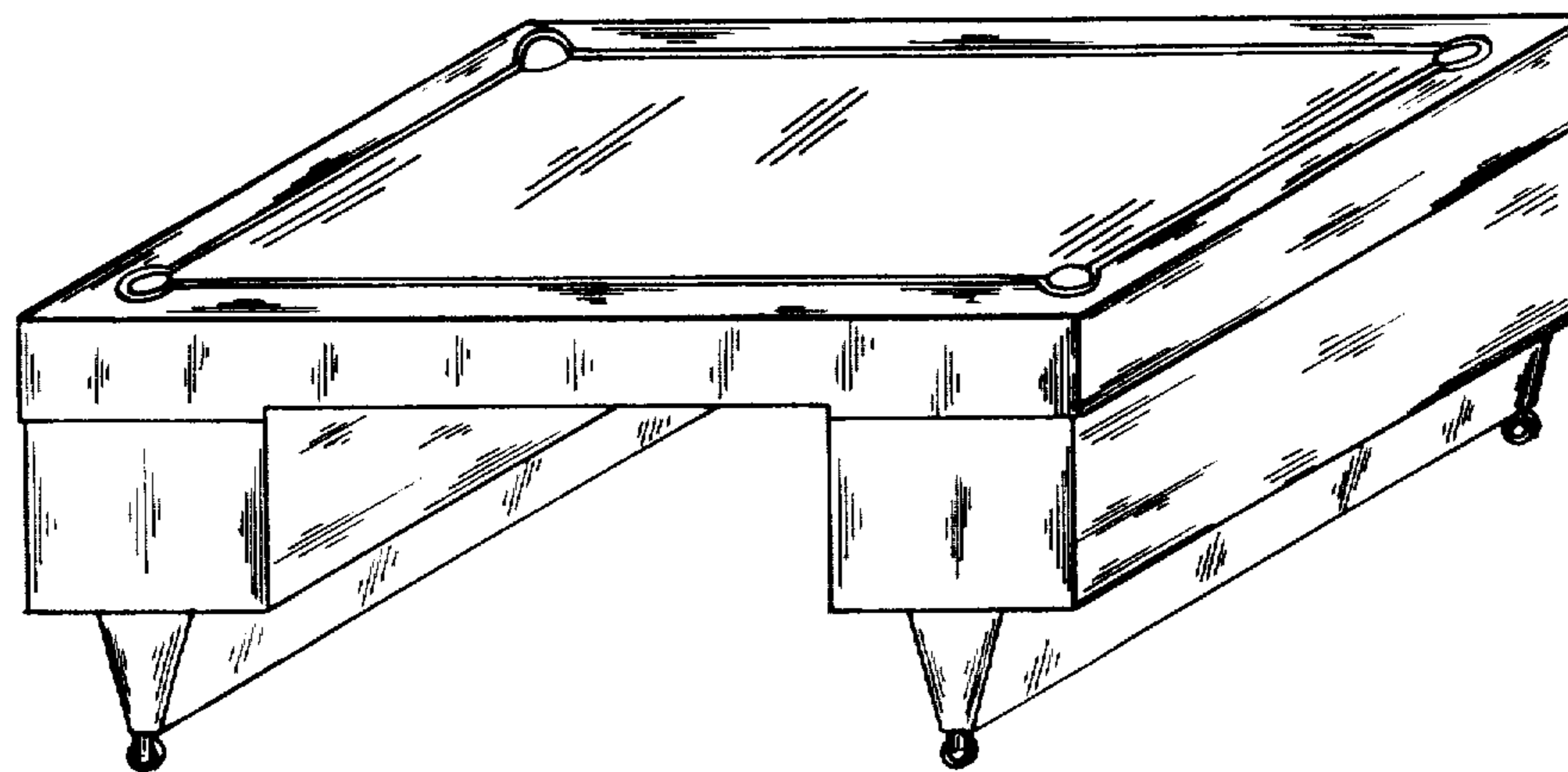
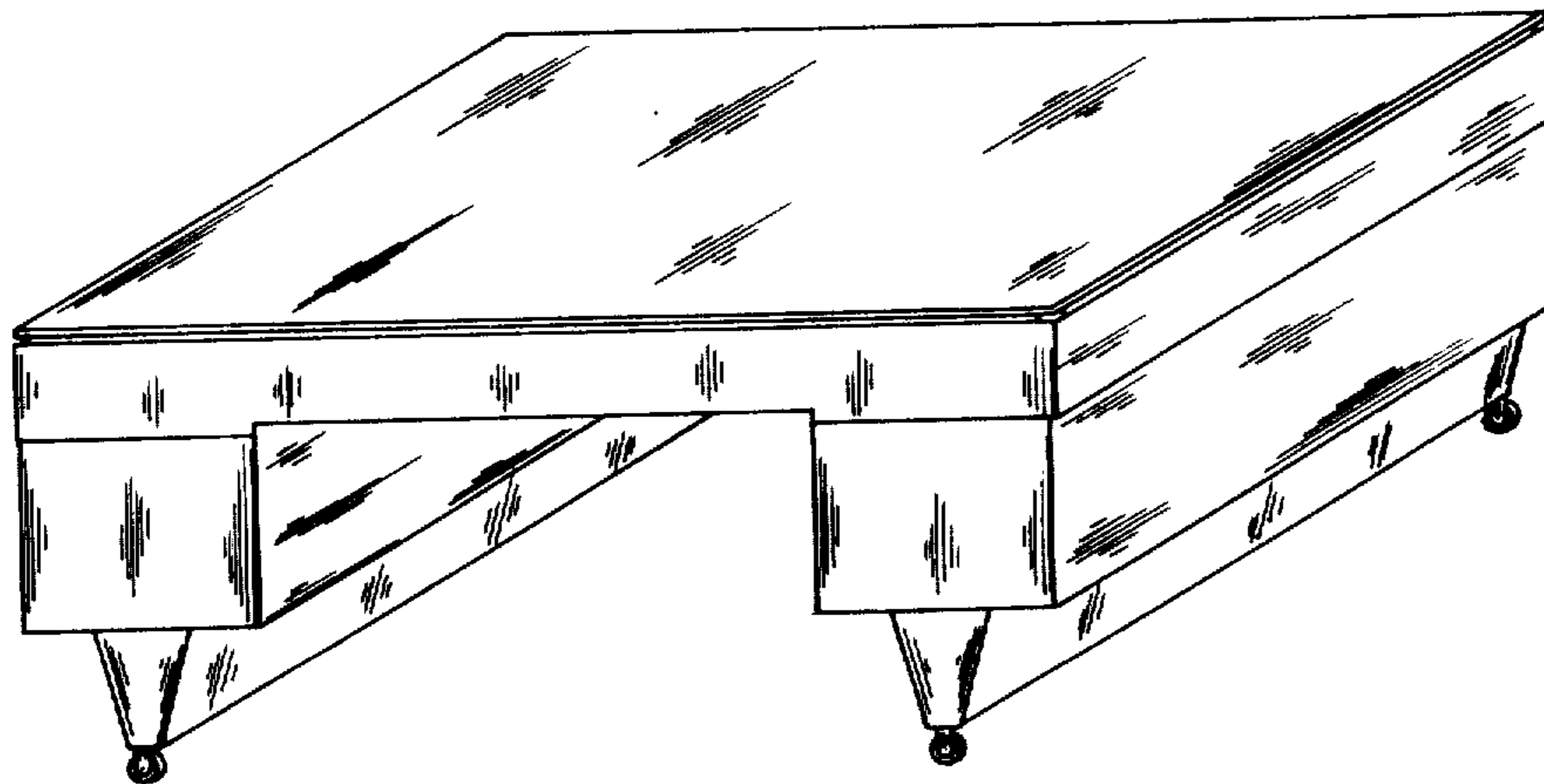
Primary Examiner—Joel Stearman  
Assistant Examiner—Carmen H. Vales  
Attorney, Agent, or Firm—Frijouf, Rust & Pyle

[57] CLAIM

The ornamental design for a combined desk and billiard table, as shown and described.

DESCRIPTION

FIG. 1 is a perspective view of a combined desk and billiard table showing my new design;  
FIG. 2 is a top plan view thereof;  
FIG. 3 is a front elevational view thereof, the rear view being substantially identical thereof;  
FIG. 4 is a right side elevational view thereof;  
FIG. 5 is a left side elevational view thereof;  
FIG. 6 is a perspective view of a combined desk and billiard table with the cover removed;  
FIG. 7 is a top plan view thereof;  
FIG. 8 is a front elevational view thereof, the rear view being substantially identical thereof;  
FIG. 9 is a right side elevational view thereof; and  
FIG. 10 is a left side elevational view thereof.



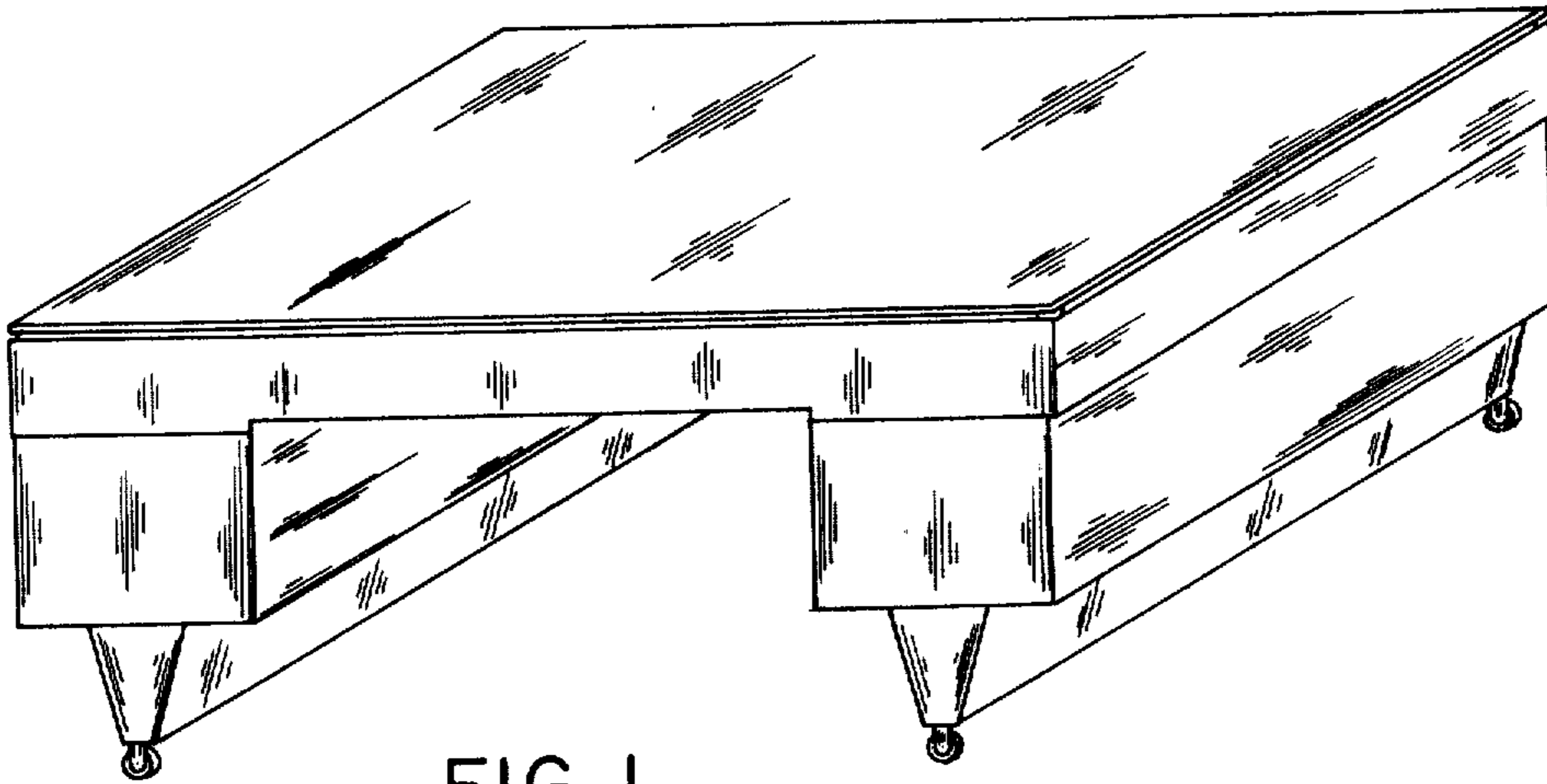


FIG. 1

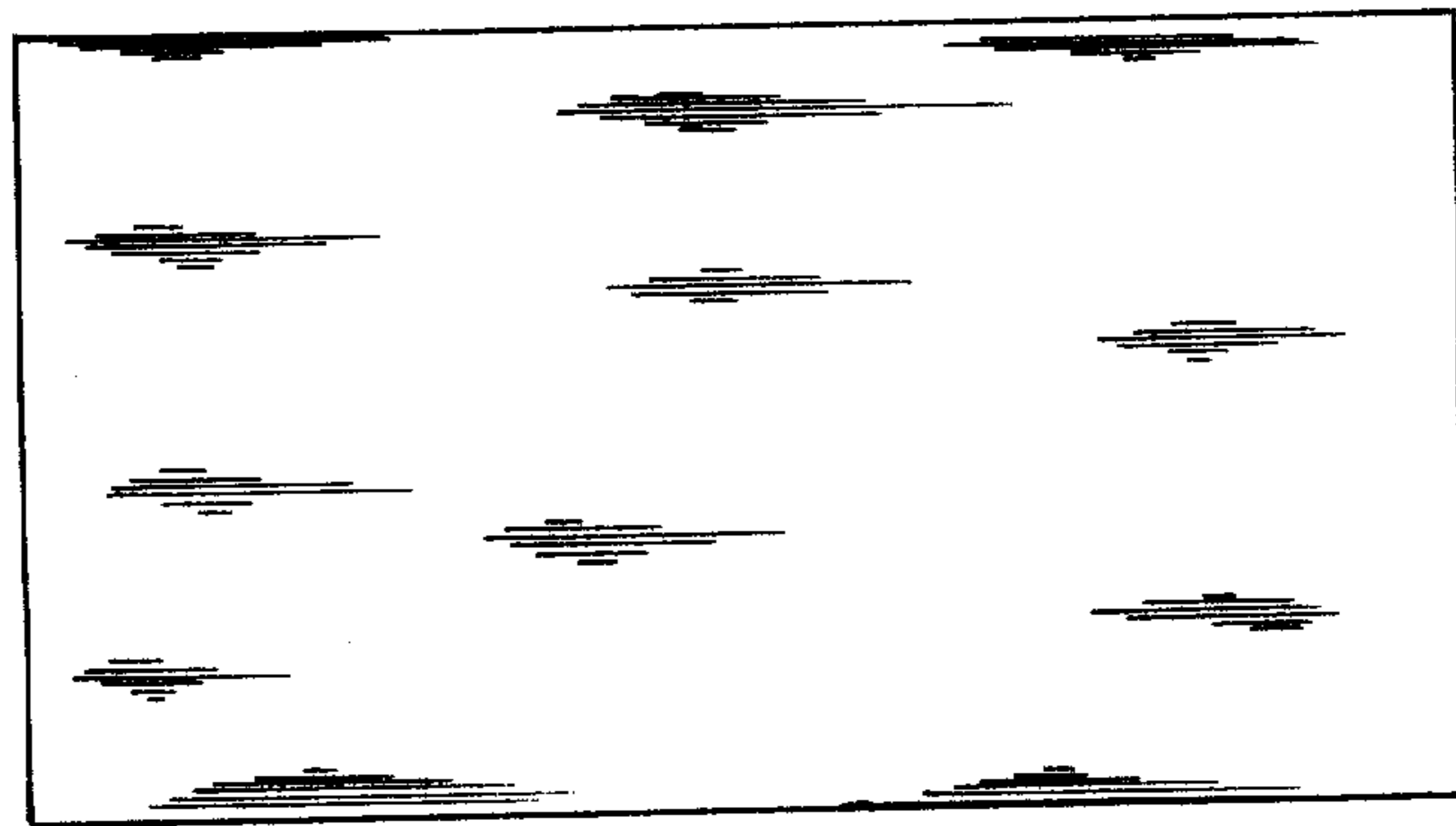


FIG. 2

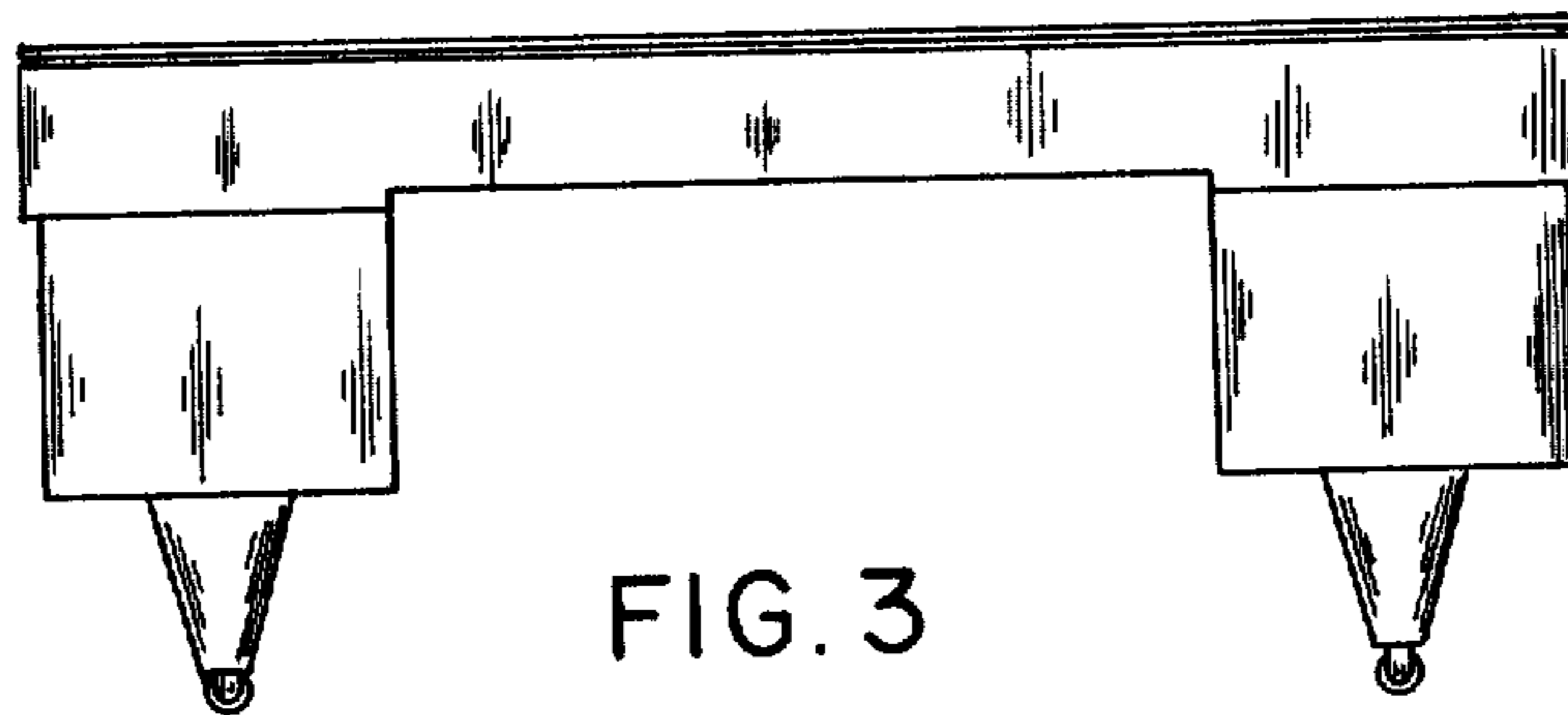


FIG. 3

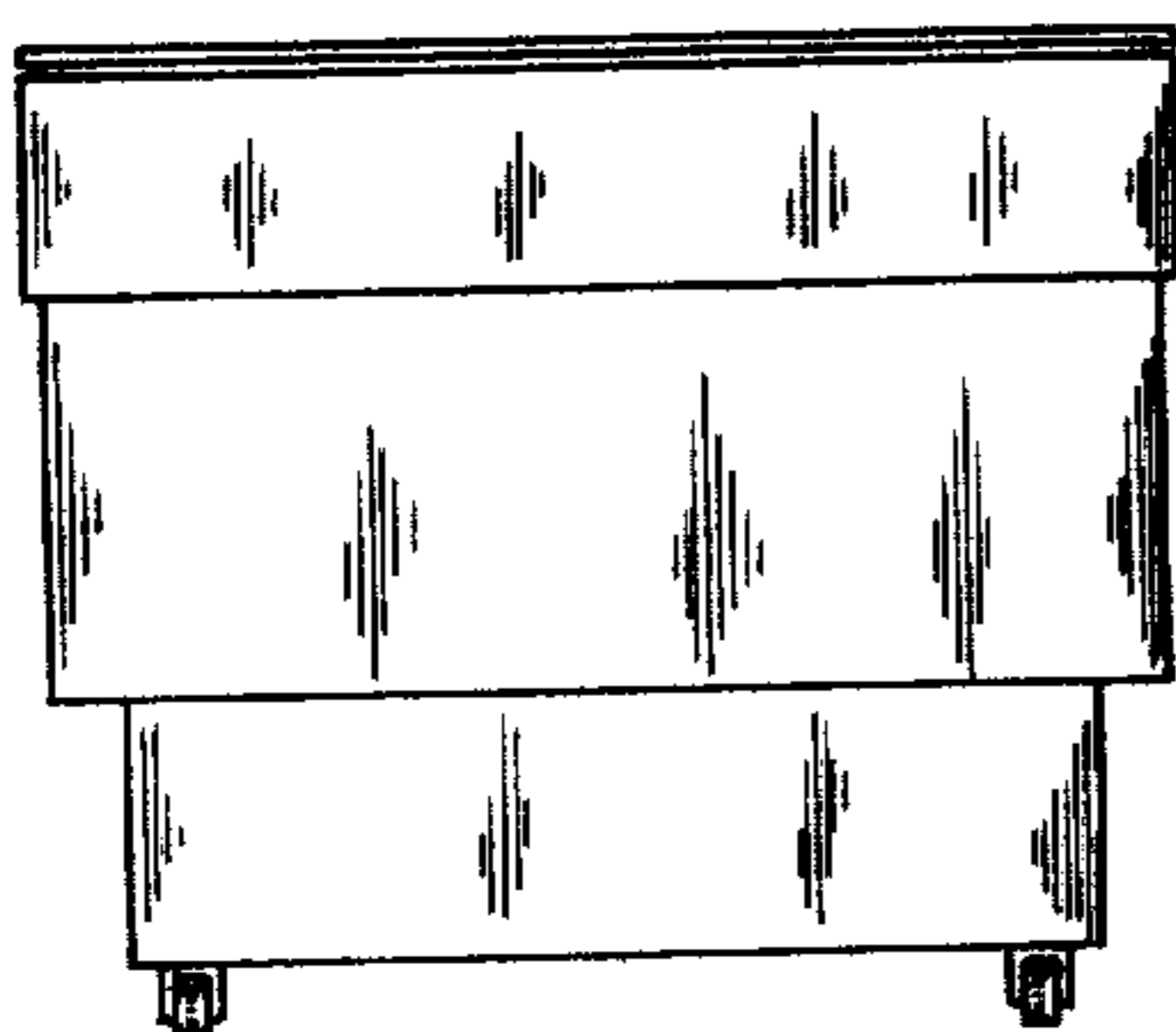


FIG. 4

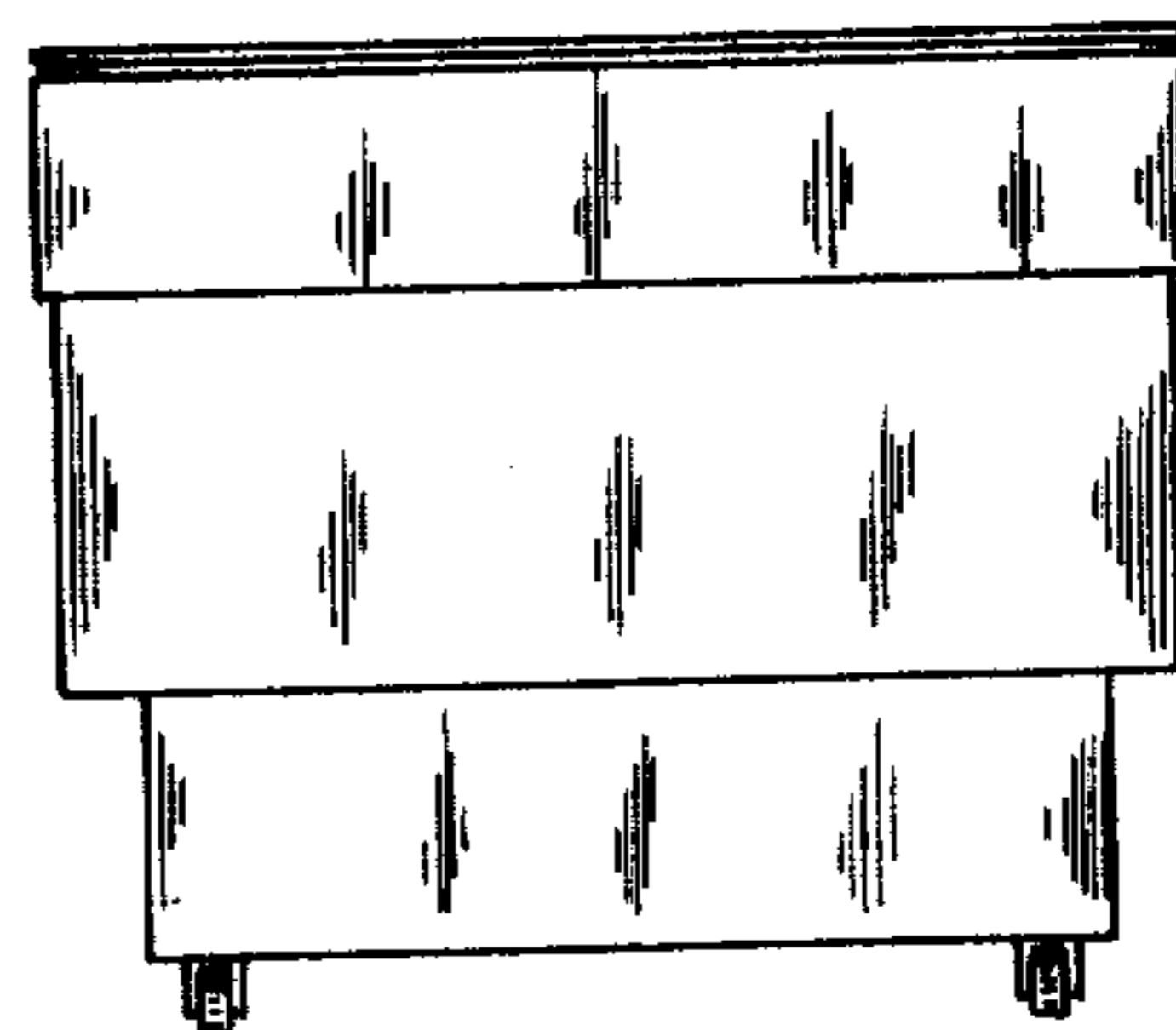


FIG. 5

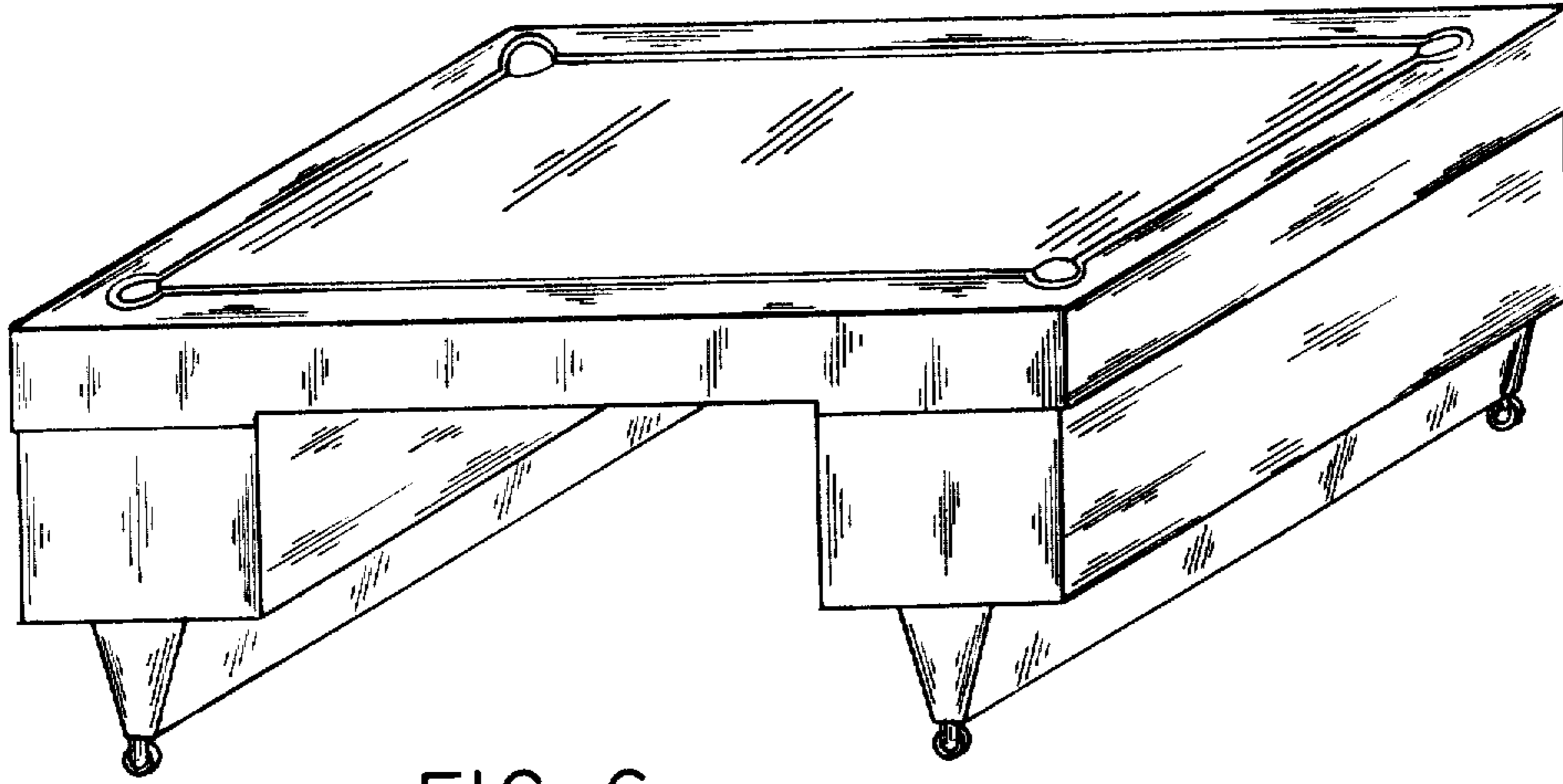


FIG. 6

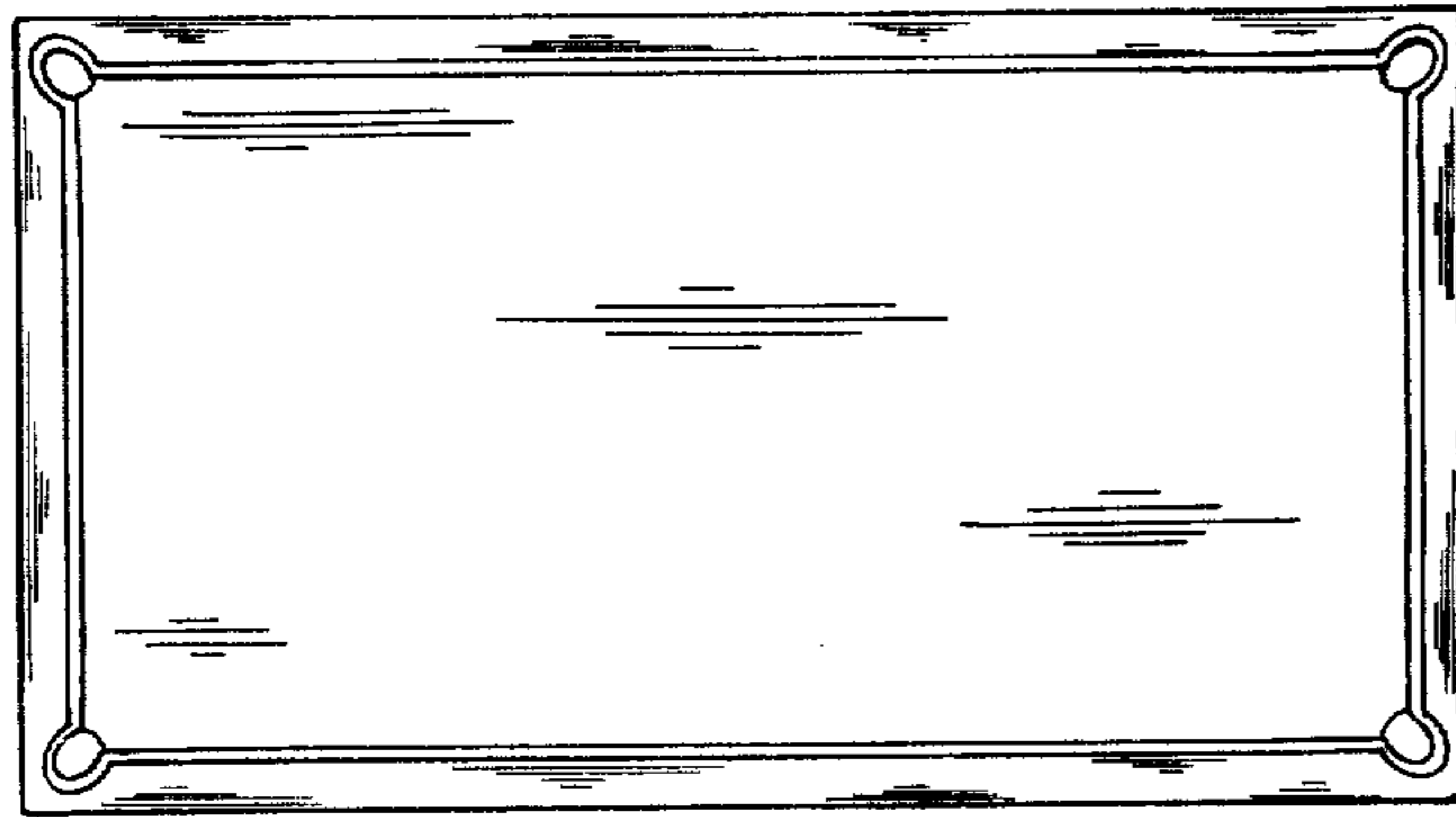


FIG. 7

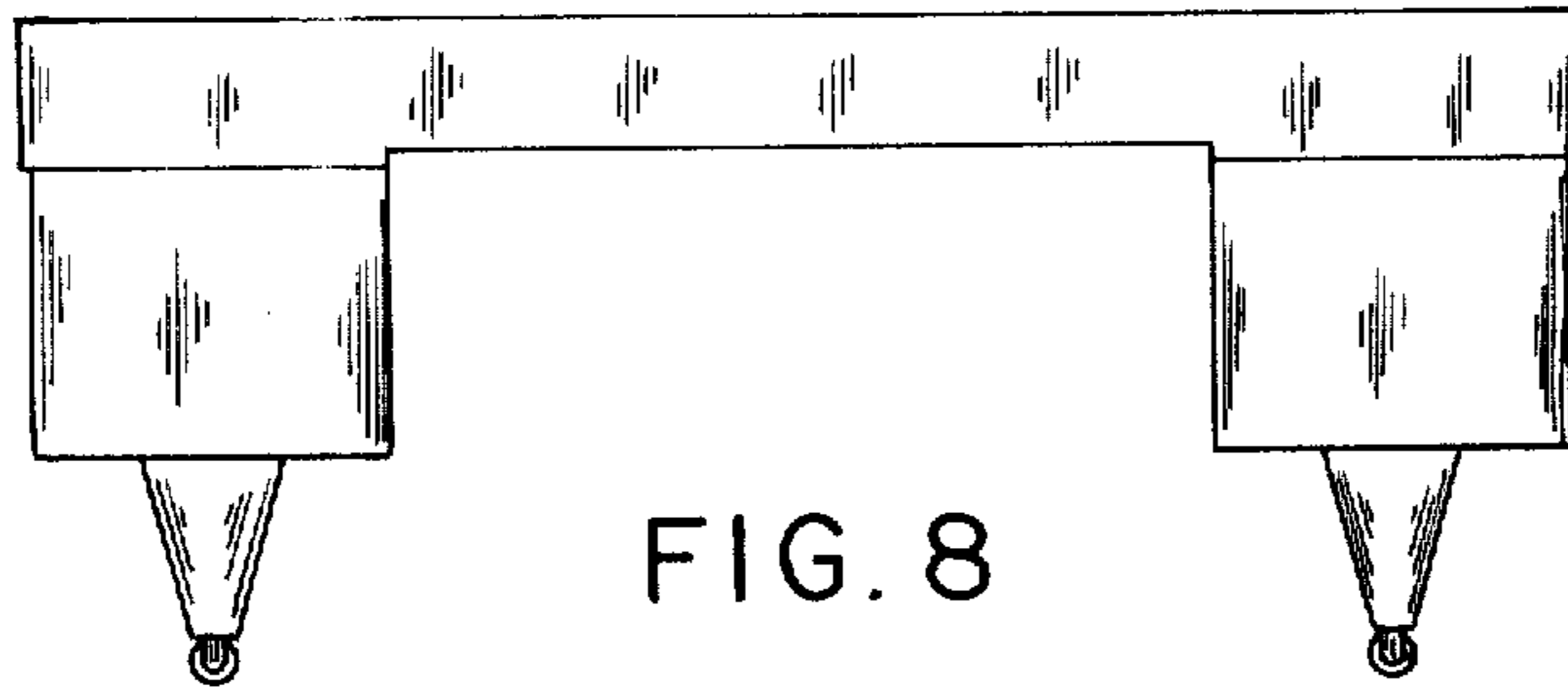


FIG. 8

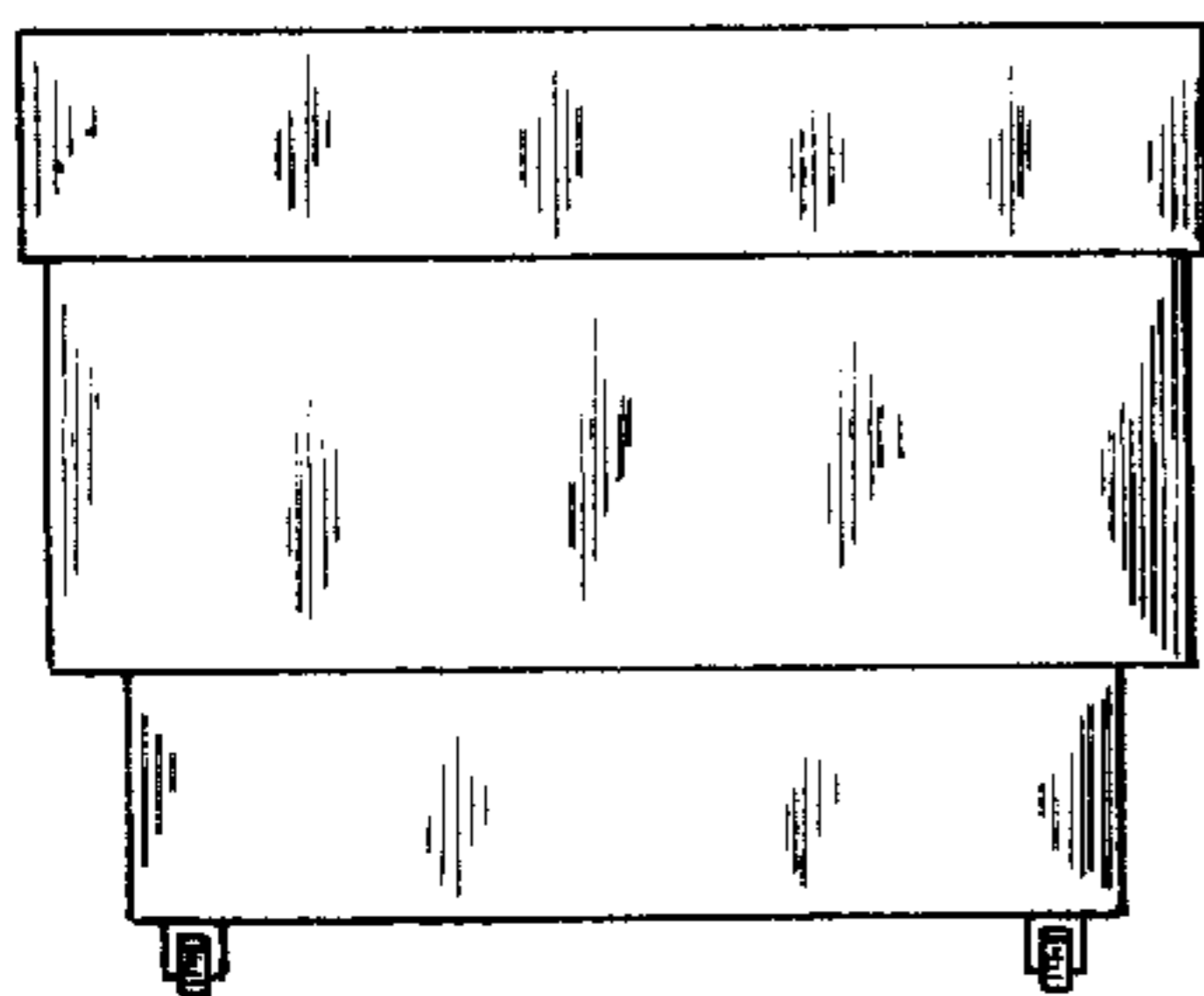


FIG. 9

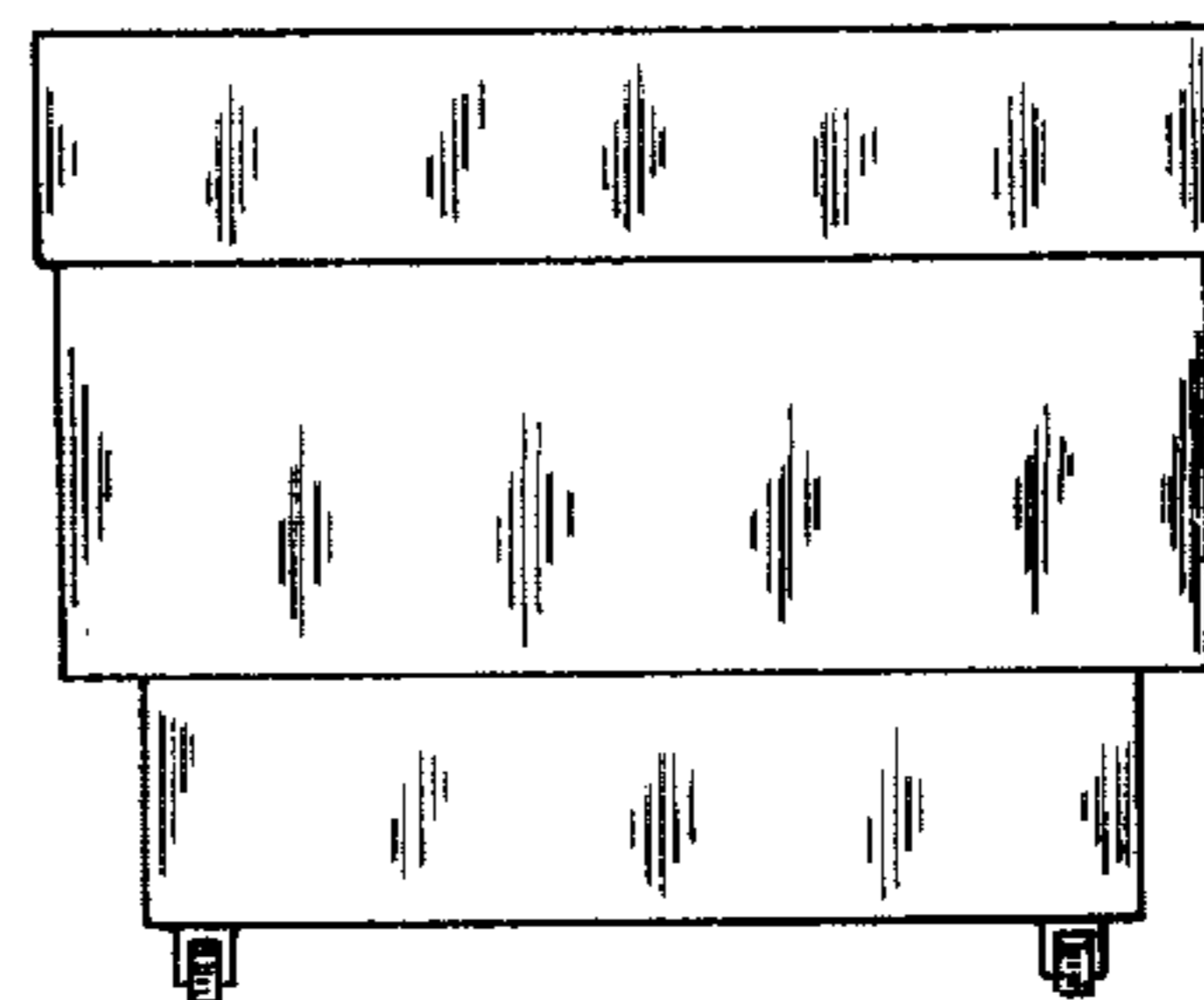


FIG. 10