

[54] FLUORESCENT LAMP

[75] Inventors: Kazuo Ariga; Youichiro Akanuma, both of Tokyo, Japan

[73] Assignee: Stanley Electric Co., Ltd., Tokyo, Japan

[*] Notice: The portion of the term of this patent subsequent to May 1, 1993, has been disclaimed.

[**] Term: 14 Years

[21] Appl. No.: 100,138

[22] Filed: Dec. 4, 1979

[30] Foreign Application Priority Data

Feb. 20, 1979 [JP] Japan 54-6030

[51] Int. Cl. D26-04

[52] U.S. Cl. D26/3

[58] Field of Search D26/3

[56] References Cited

U.S. PATENT DOCUMENTS

D. 251,752 5/1979 Ariga et al. D26/3

Primary Examiner—Susan J. Lucas
Attorney, Agent, or Firm—Frishauf, Holtz, Goodman & Woodward

[57] CLAIM

The ornamental design for a fluorescent lamp, as shown.

DESCRIPTION

FIG. 1 is a plan view of the fluorescent lamp, showing our new design.

FIG. 2 is a front view of the fluorescent lamp, showing our new design.

FIG. 3 is a right-hand side view of the fluorescent lamp, showing our new design.

FIG. 4 is a perspective view of the fluorescent lamp, showing our new design.

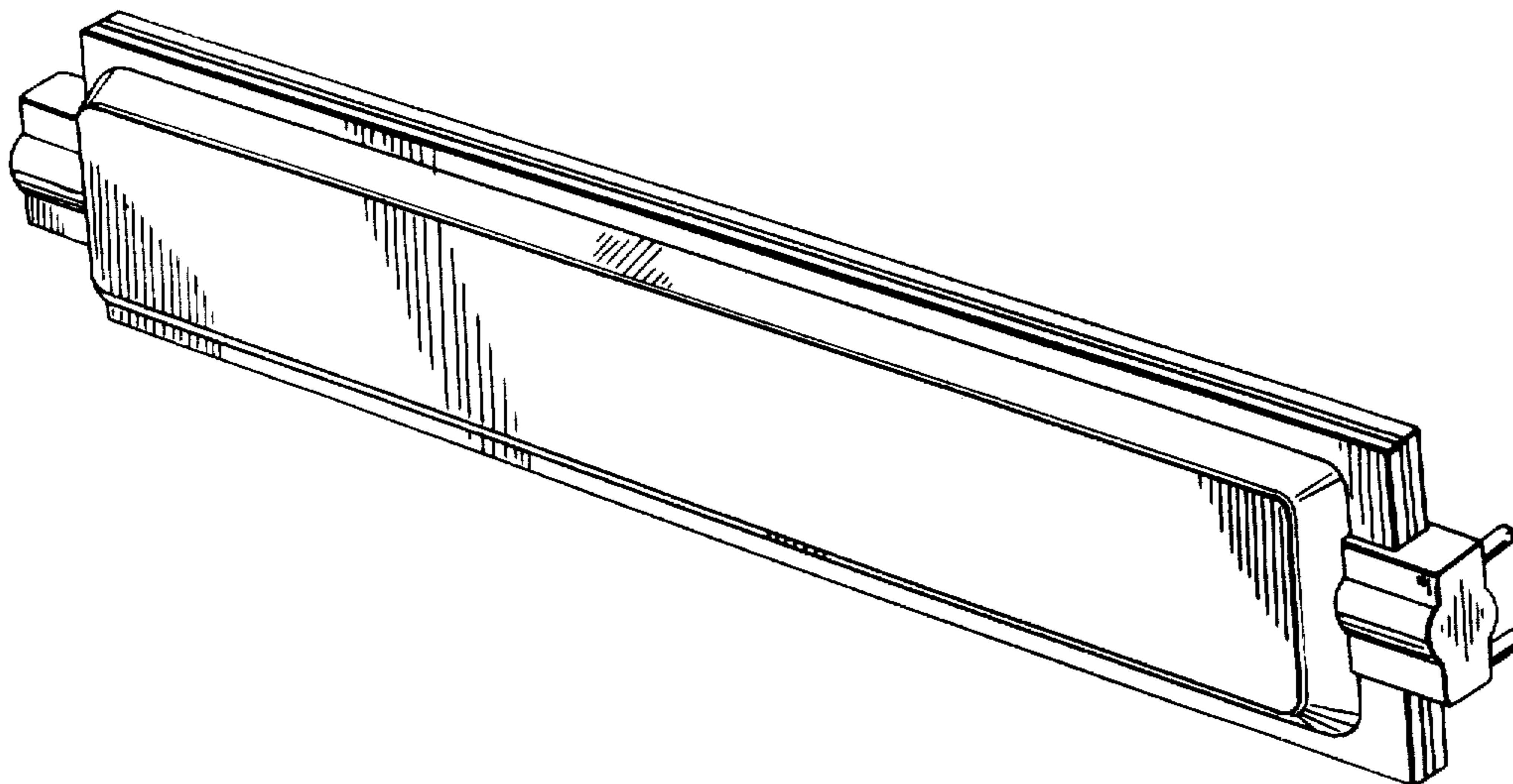


FIG. 1

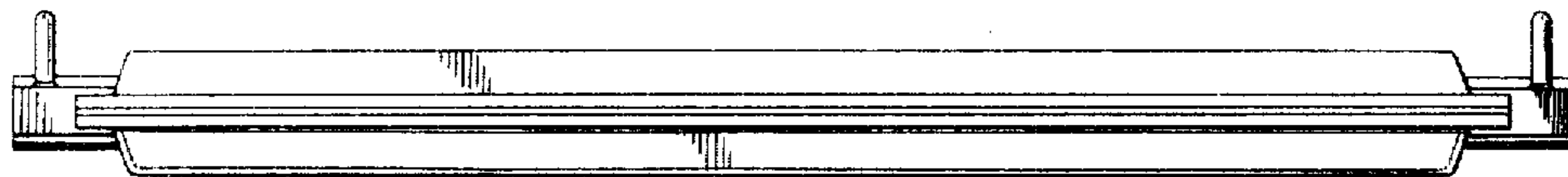


FIG. 2

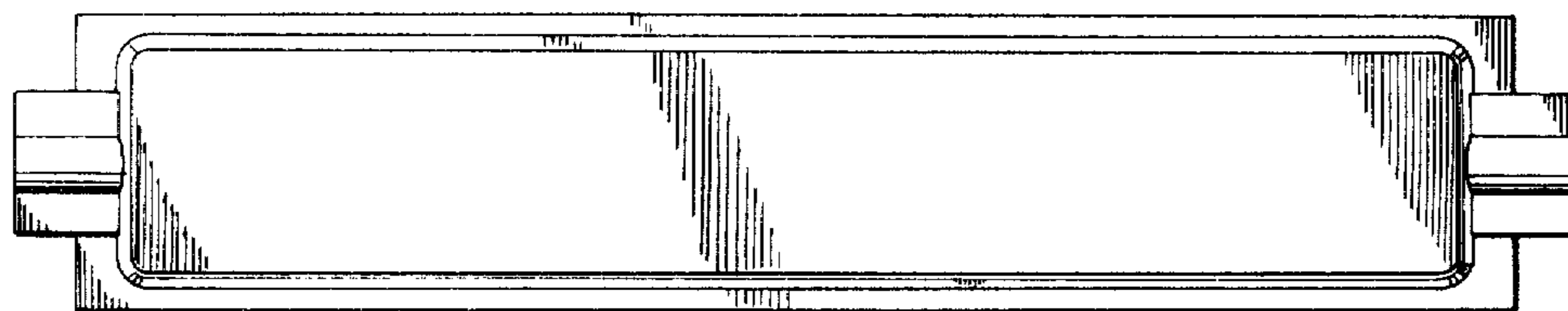


FIG. 3

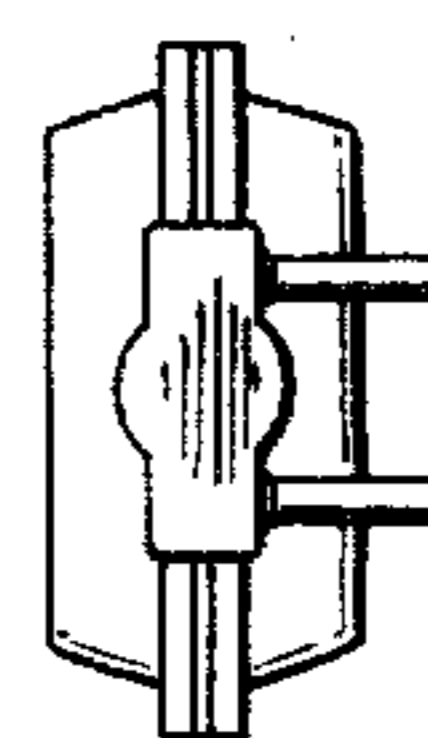


FIG. 4

