

[54] WOOD BURNING STOVE

[76] Inventor: Peter Kilham, P.O. Box 98, Pole 27,
Mill Rd., Foster, R.I. 02825

[**] Term: 14 Years

[21] Appl. No.: 142,110

[22] Filed: Apr. 21, 1980

[51] Int. Cl. D23-03

[52] U.S. Cl. D23/97

[58] Field of Search D23/92-97,
D23/72; 126/4, 6, 5, 8, 60-66, 120, 121, 123,
126

[56] References Cited

U.S. PATENT DOCUMENTS

D. 238,949 2/1976 Giovagnoli D23/93
D. 247,046 1/1978 Bader D23/93

D. 252,101 6/1979 Orlando D23/97
D. 252,405 7/1979 Heine D23/97
D. 255,710 7/1980 Heine D23/97
D. 258,684 3/1981 Christophel D23/97

Primary Examiner—Catherine E. Kemper
Attorney, Agent, or Firm—Salter & Michaelson

[57] CLAIM

The ornamental design for a wood burning stove, substantially as shown.

DESCRIPTION

FIG. 1 is a perspective view of a wood burning stove showing my new design;

FIG. 2 is a top plan view thereof;

FIG. 3 is a front elevational view thereof;

FIG. 4 is a rear elevational view thereof;

FIG. 5 is a bottom plan view thereof; and

FIG. 6 is a left side elevational view thereof.

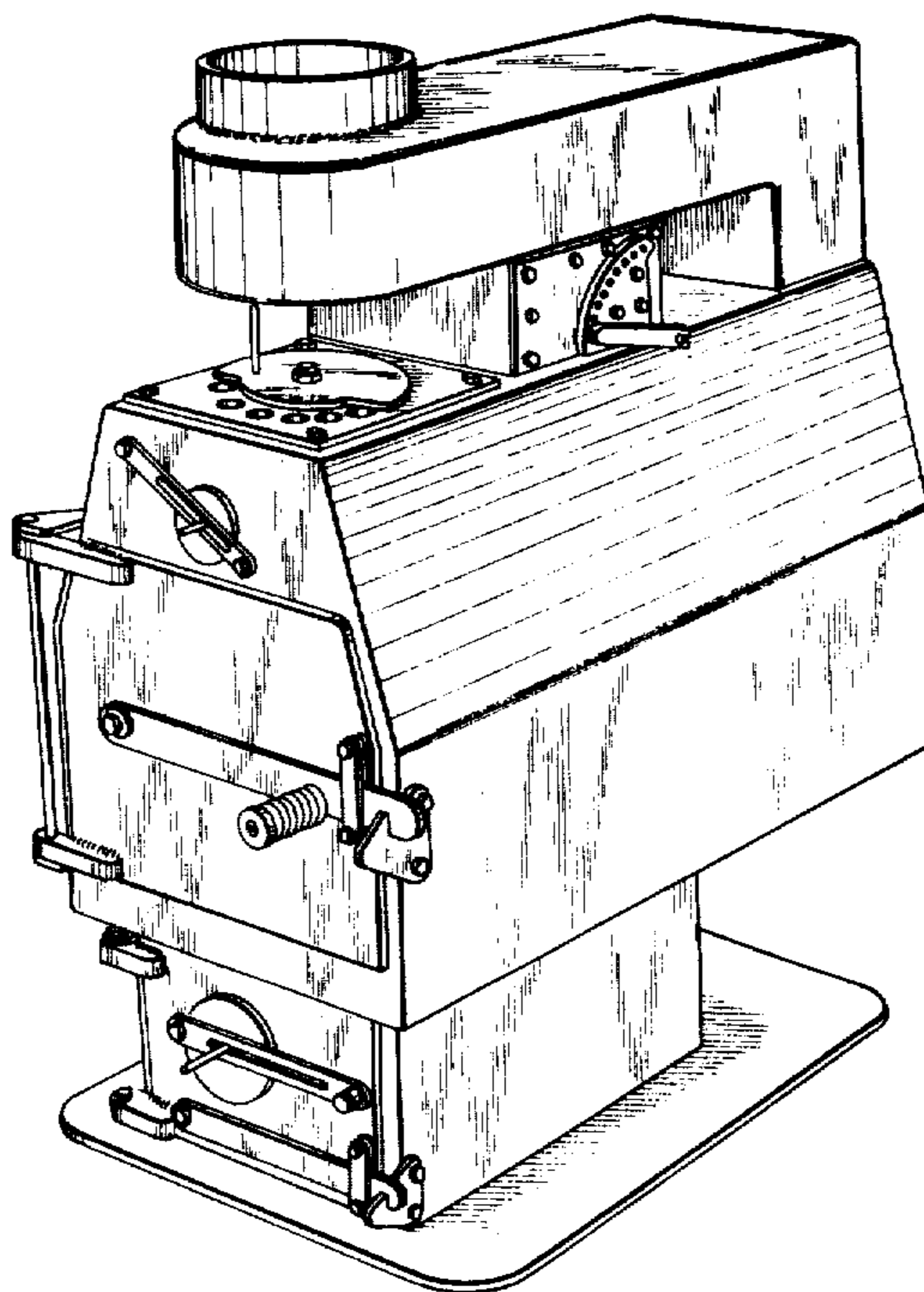


FIG. 1

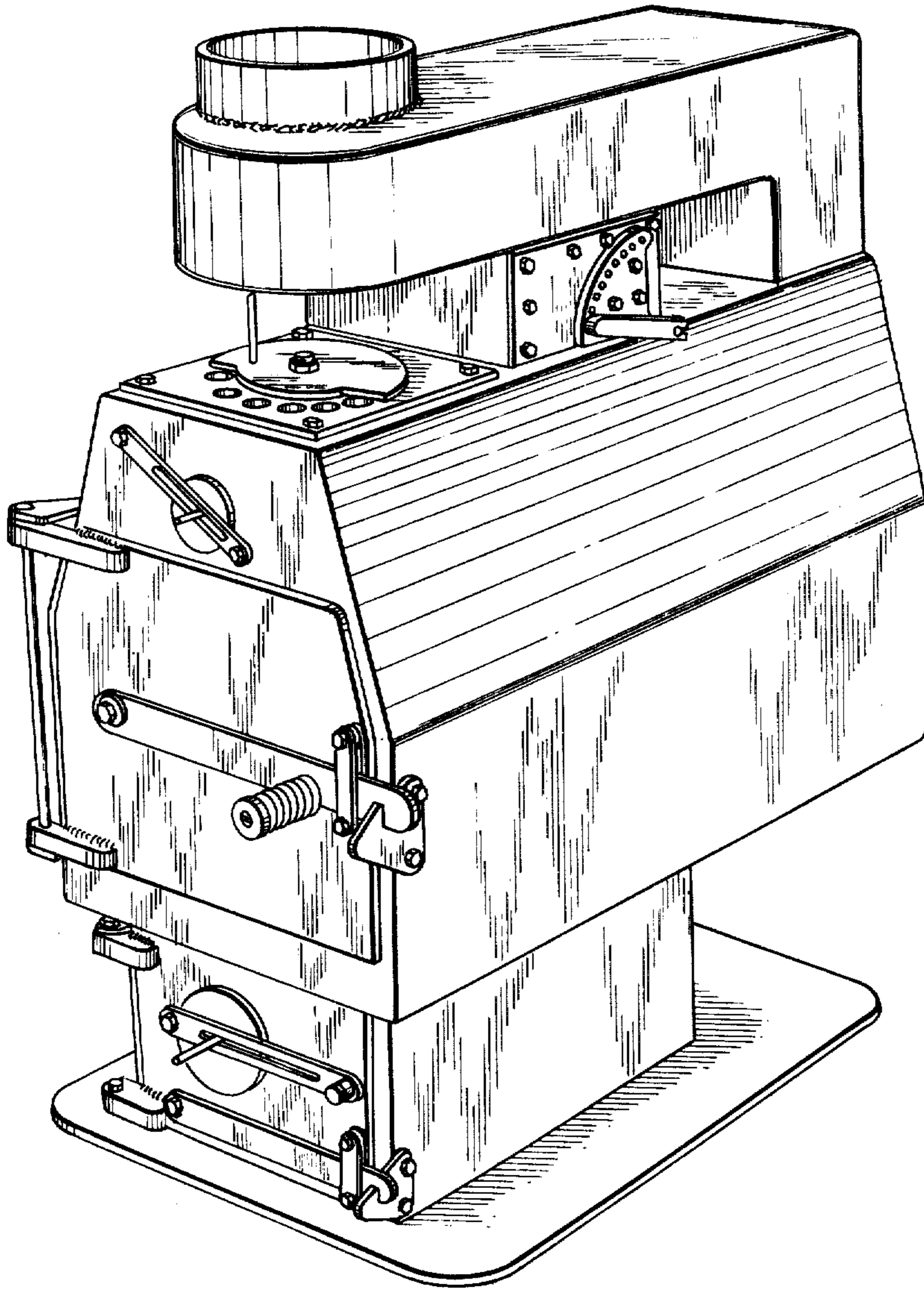
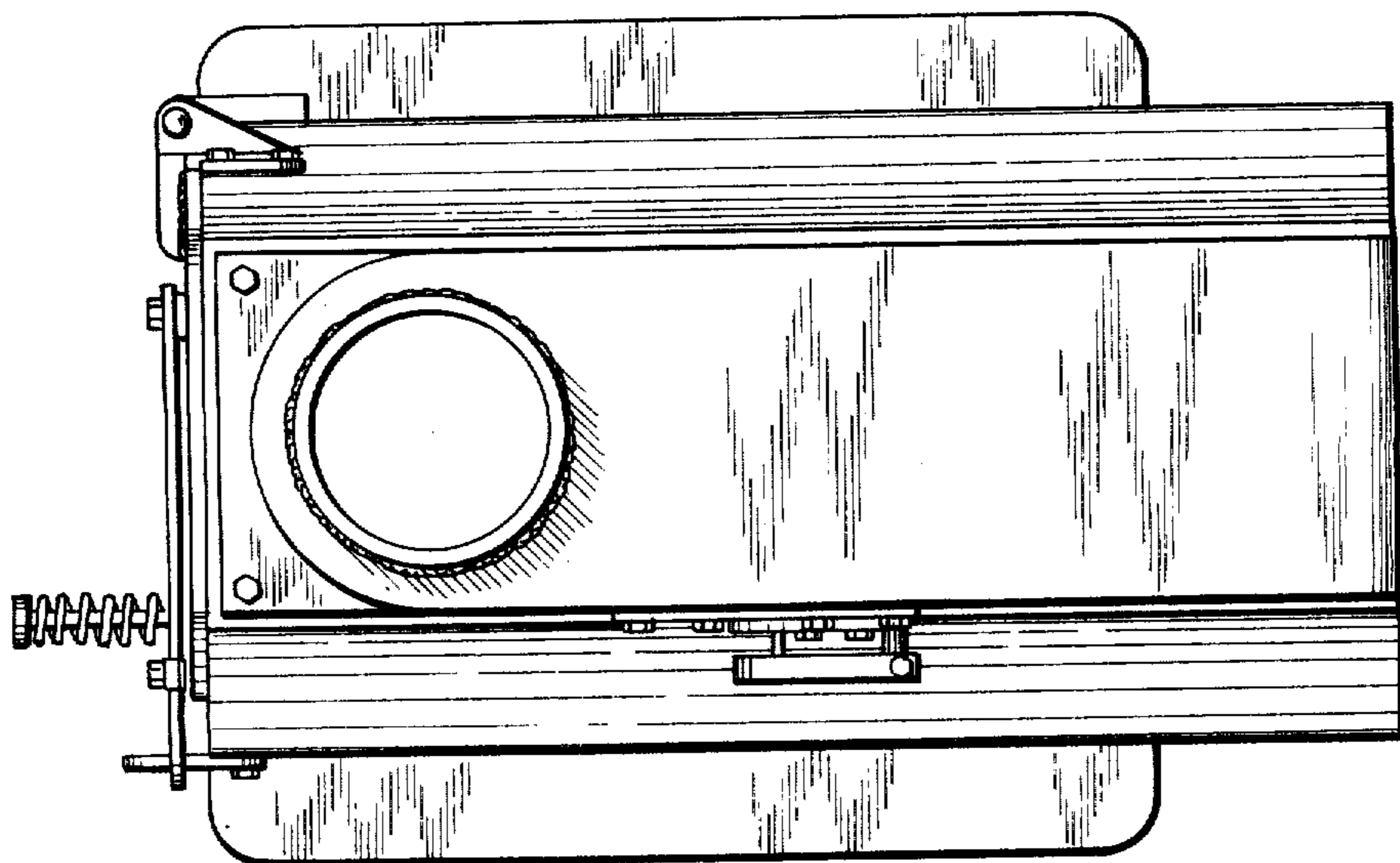


FIG. 2



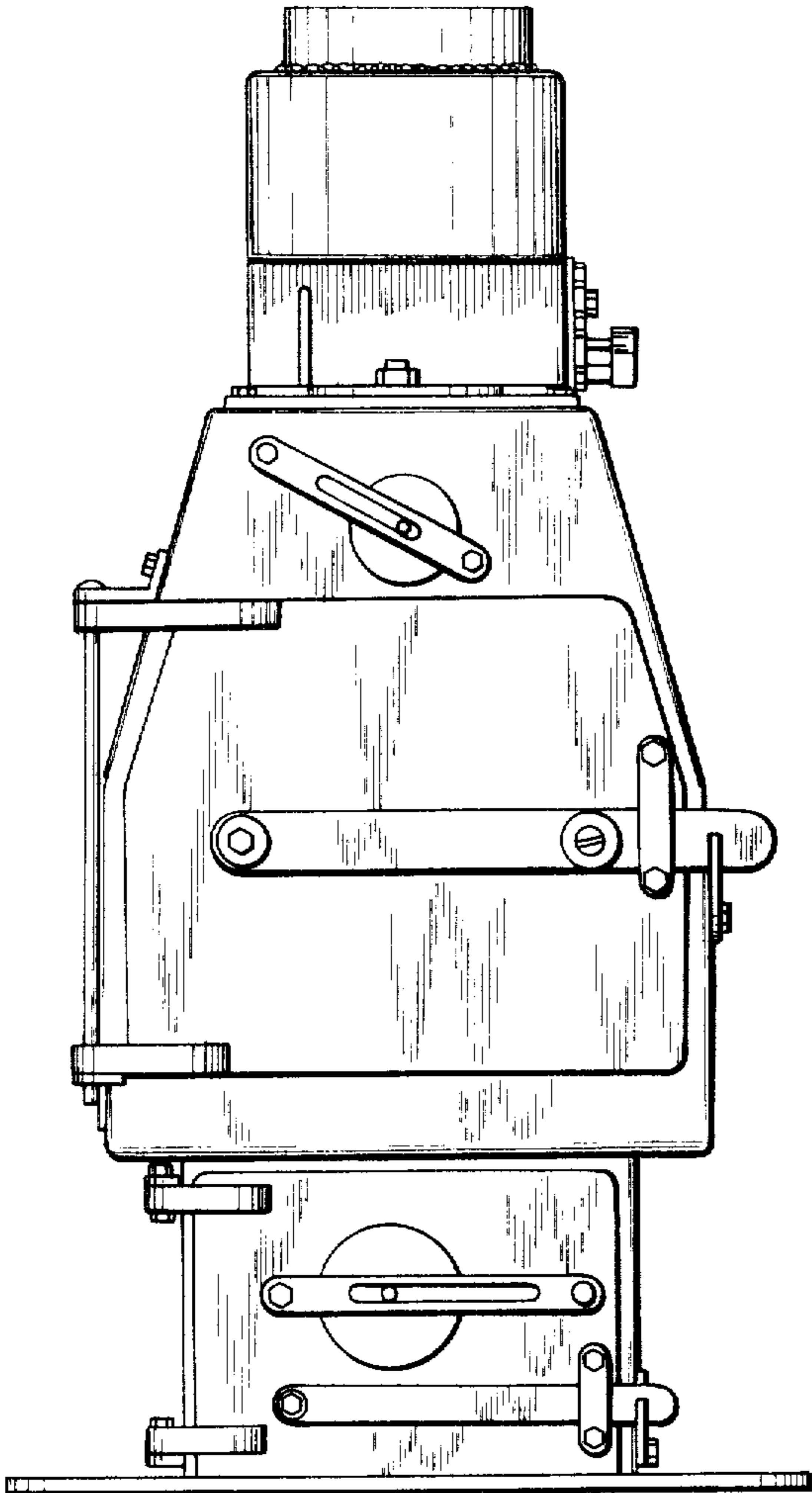


FIG. 3

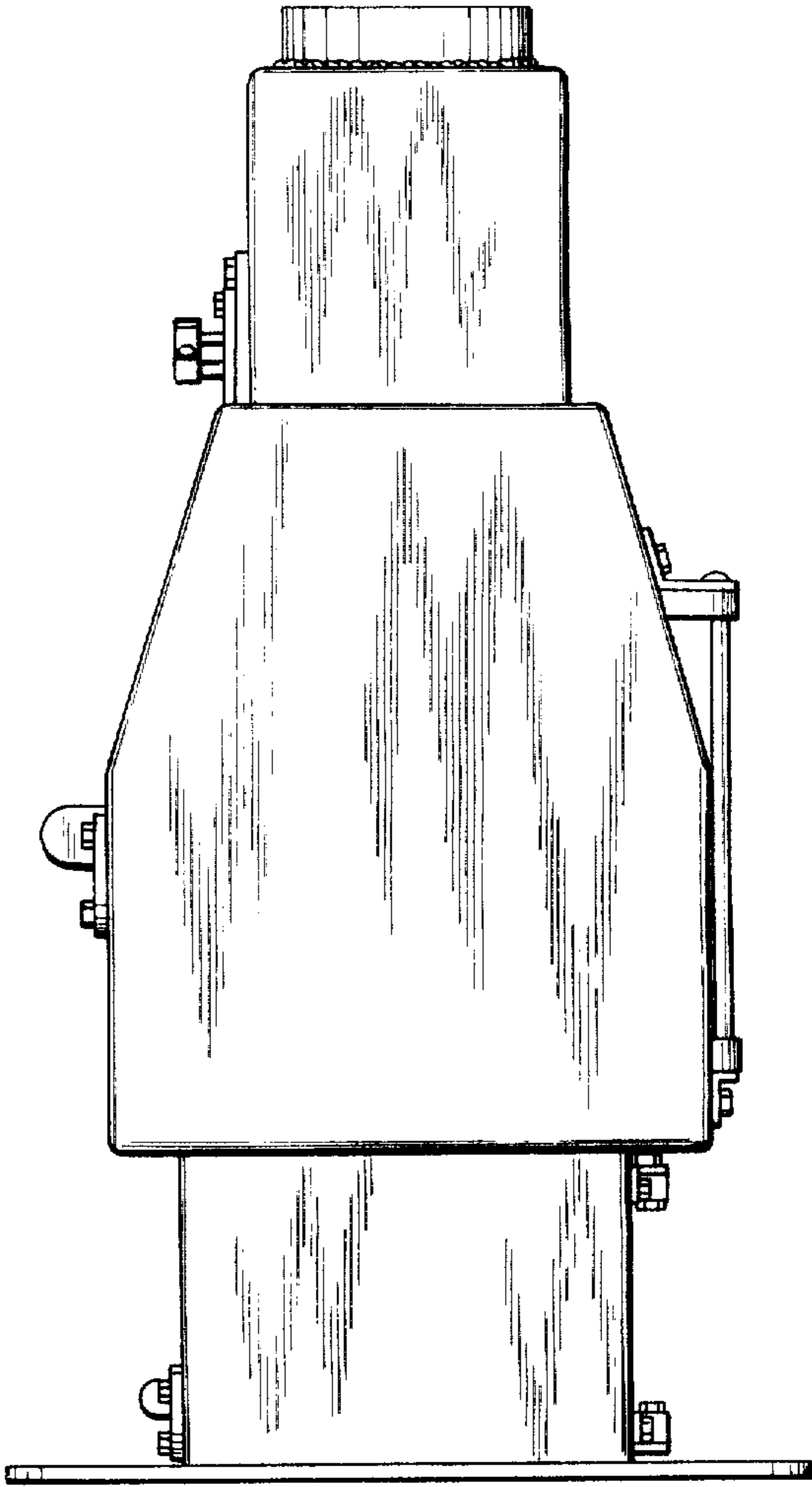


FIG. 4

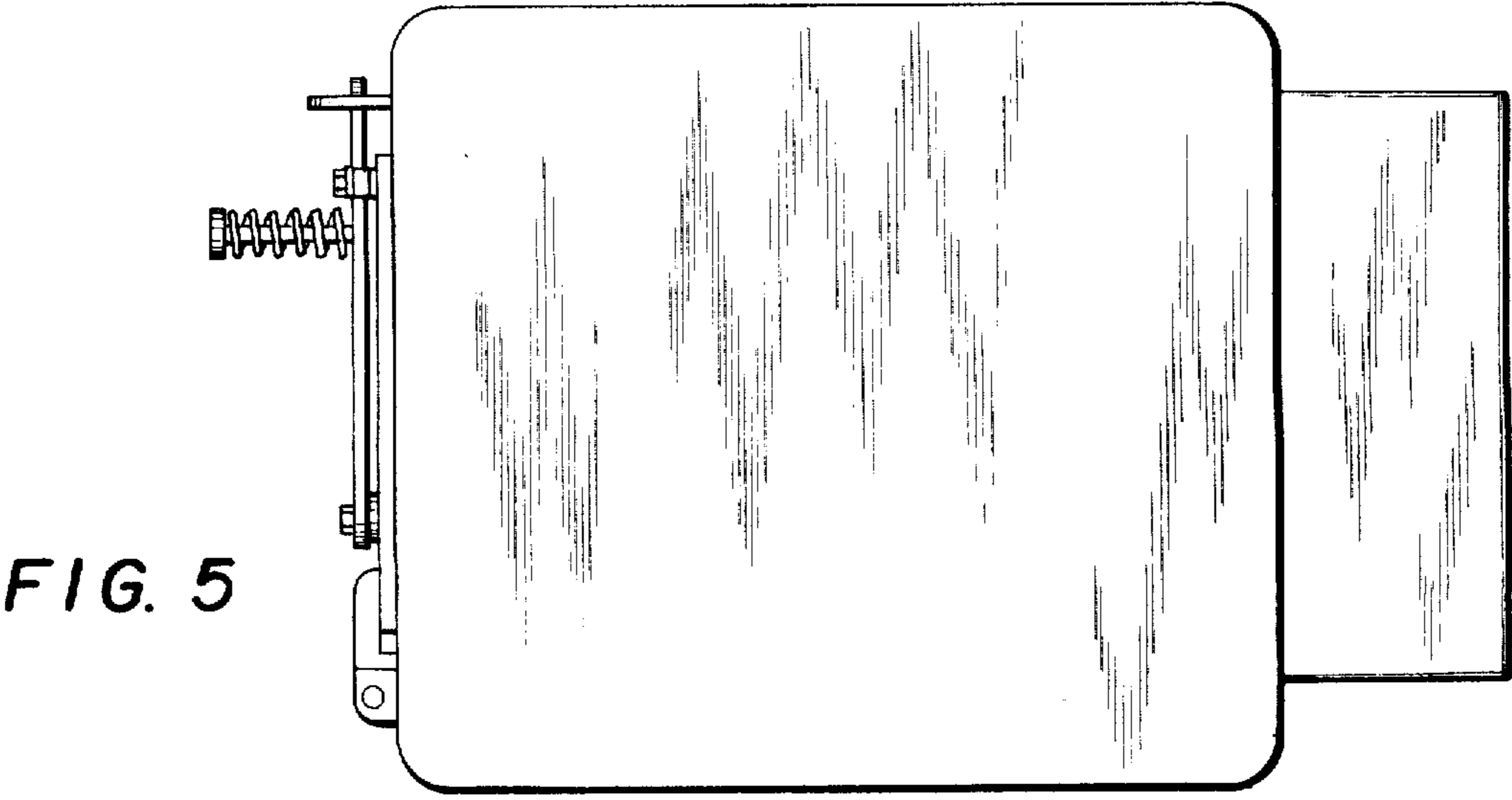


FIG. 5

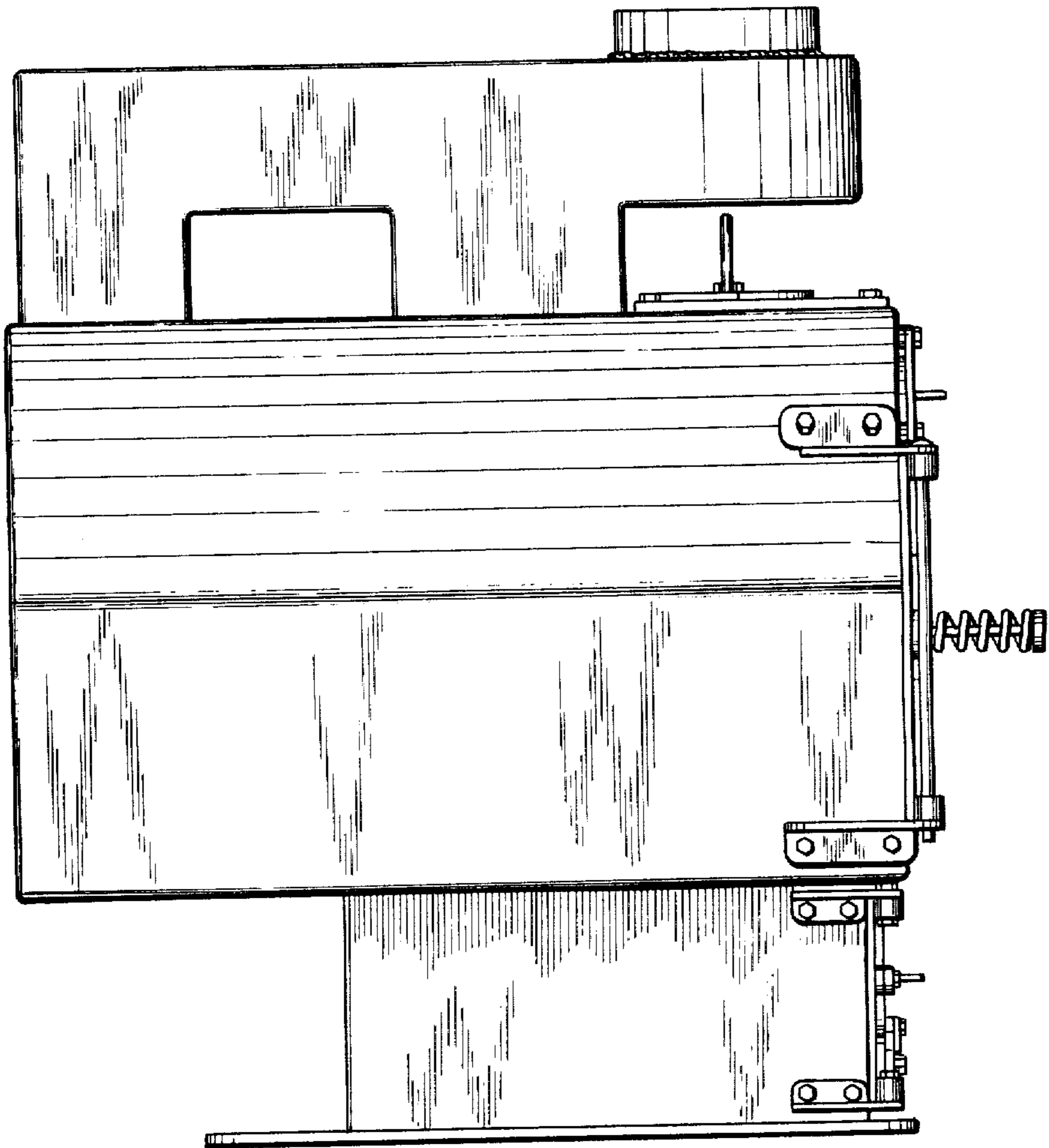


FIG. 6