

[54] FACE WASHER

[75] Inventors: Toshio Mikiya; Tadahisa Mogaki,
both of Tokyo, Japan

[73] Assignee: Nikki Co., Ltd., Tokyo, Japan

[**] Term: 14 Years

[21] Appl. No.: 41,506

[22] Filed: May 22, 1979

[30] Foreign Application Priority Data

Nov. 28, 1978 [JP] Japan 53-50071

[51] Int. Cl. D23-02

[52] U.S. Cl. D23/48; D24/38

[58] Field of Search D23/48, 8, 58-64;
4/615, 619, 620, 624, 643, 650, 653; 128/38, 66,
67, 1 R, 248, 249, 367, 368; D24/36, 37, 38;
D28/9, 12

[56] References Cited

U.S. PATENT DOCUMENTS

- D. 208,514 9/1967 Hartwell D24/37 X
- D. 216,884 3/1970 Wright D23/58
- 2,482,960 9/1949 Benson 4/621 X
- 3,152,240 10/1964 Scott 128/368 X

- 3,351,737 11/1967 Katzman 4/537 X
- 3,712,307 1/1973 McLaughlin 4/537 X
- 3,768,483 10/1973 Kosunoki 128/368
- 4,004,302 1/1977 Hori 128/66 X

Primary Examiner—James R. Largen
Attorney, Agent, or Firm—Wenderoth, Lind & Ponack

[57] CLAIM

The ornamental design for a face washer, as shown and described.

DESCRIPTION

FIG. 1 is a front elevational view of a face washer embodying our design;
FIG. 2 is a left side elevational view thereof, the right side being a mirror image of the left side shown;
FIG. 3 is a rear elevational view thereof;
FIG. 4 is a top plan view thereof;
FIG. 5 is a bottom plan view thereof;
FIG. 6 is a perspective view taken from the bottom, rear and right side thereof;
FIG. 7 is a perspective view taken from the top, front and right side thereof; and
FIG. 8 is a cross sectional view taken on line 8—8 of FIG. 1 with some interior parts removed for convenience of illustration.

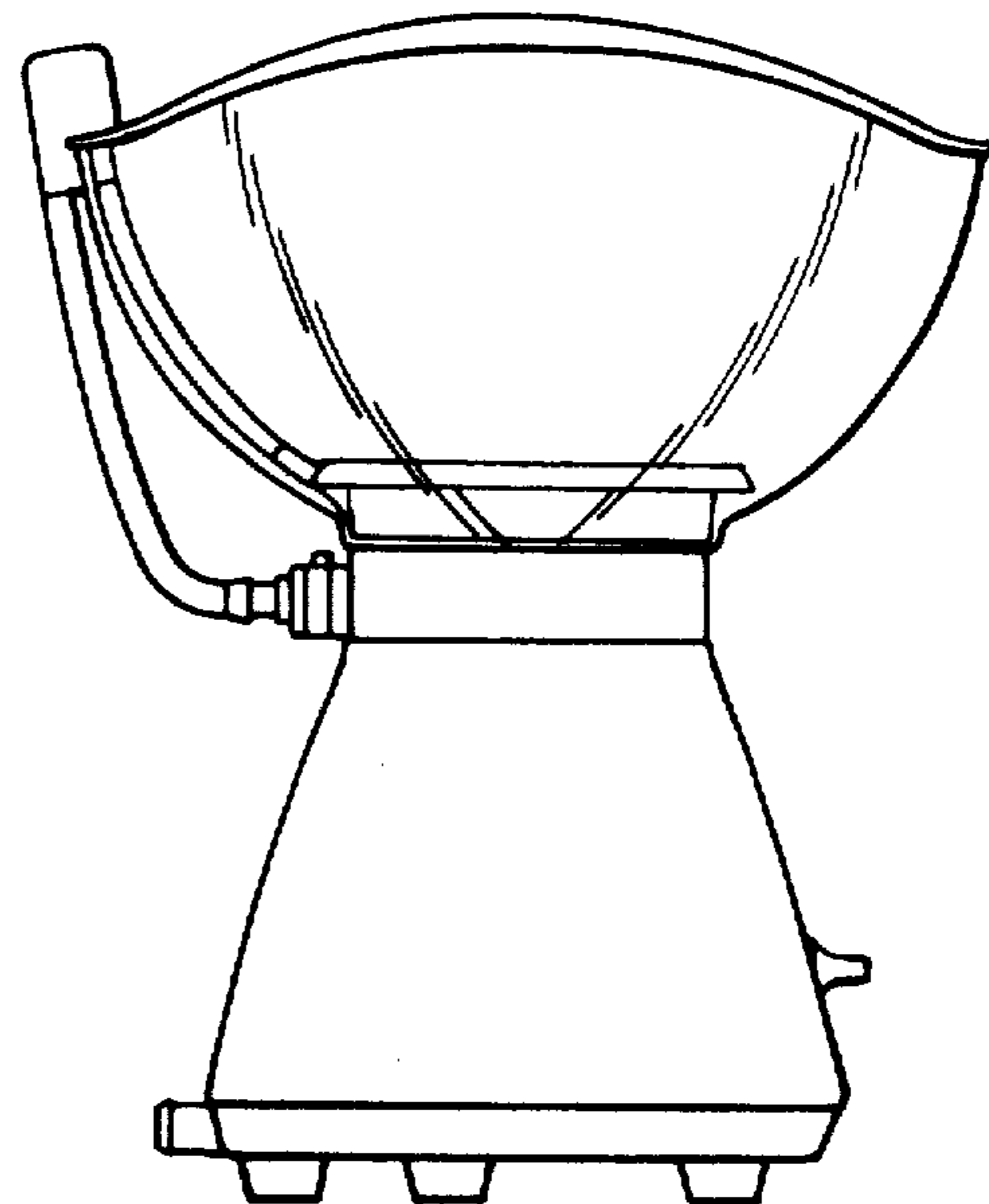
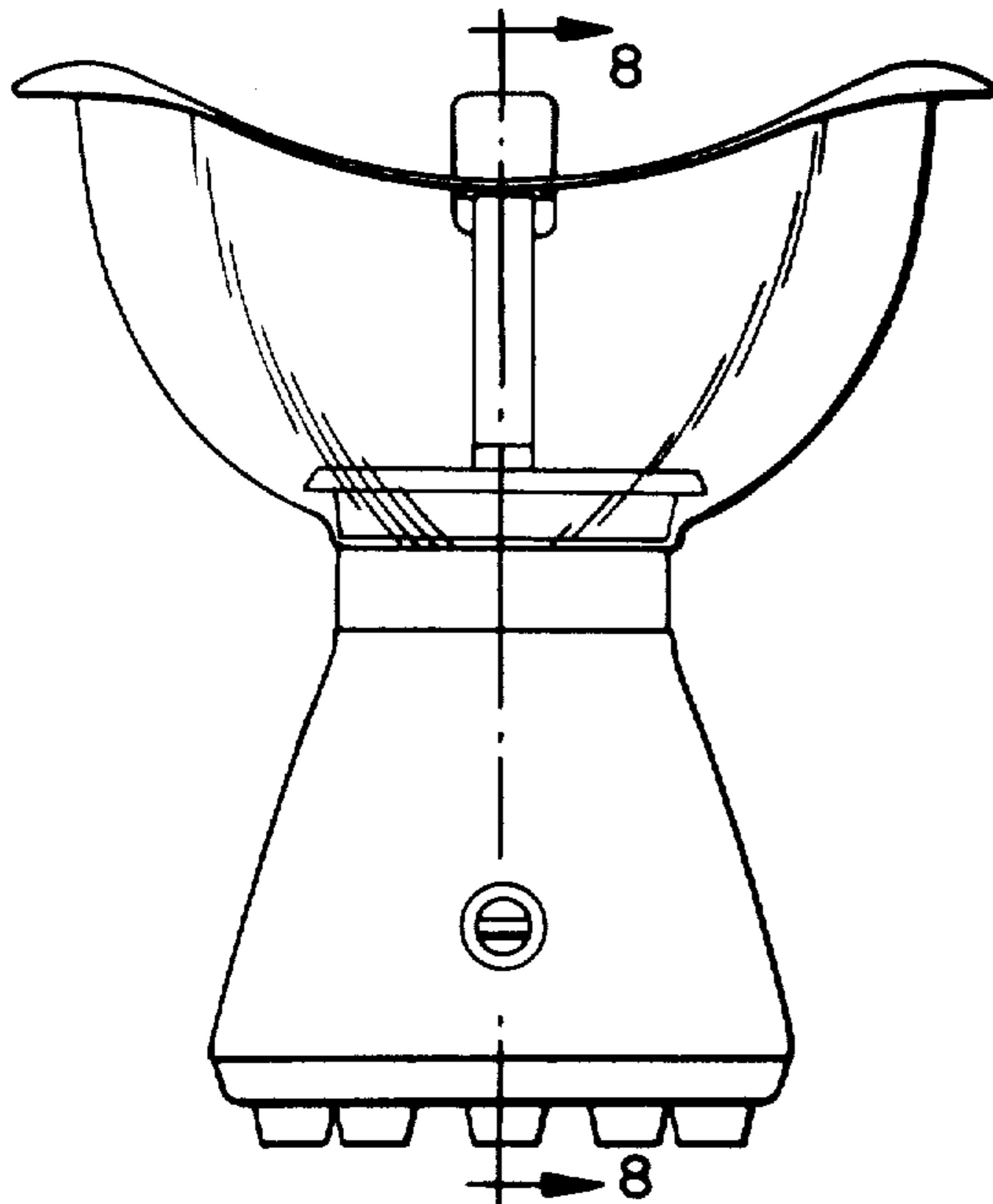


FIG. 1

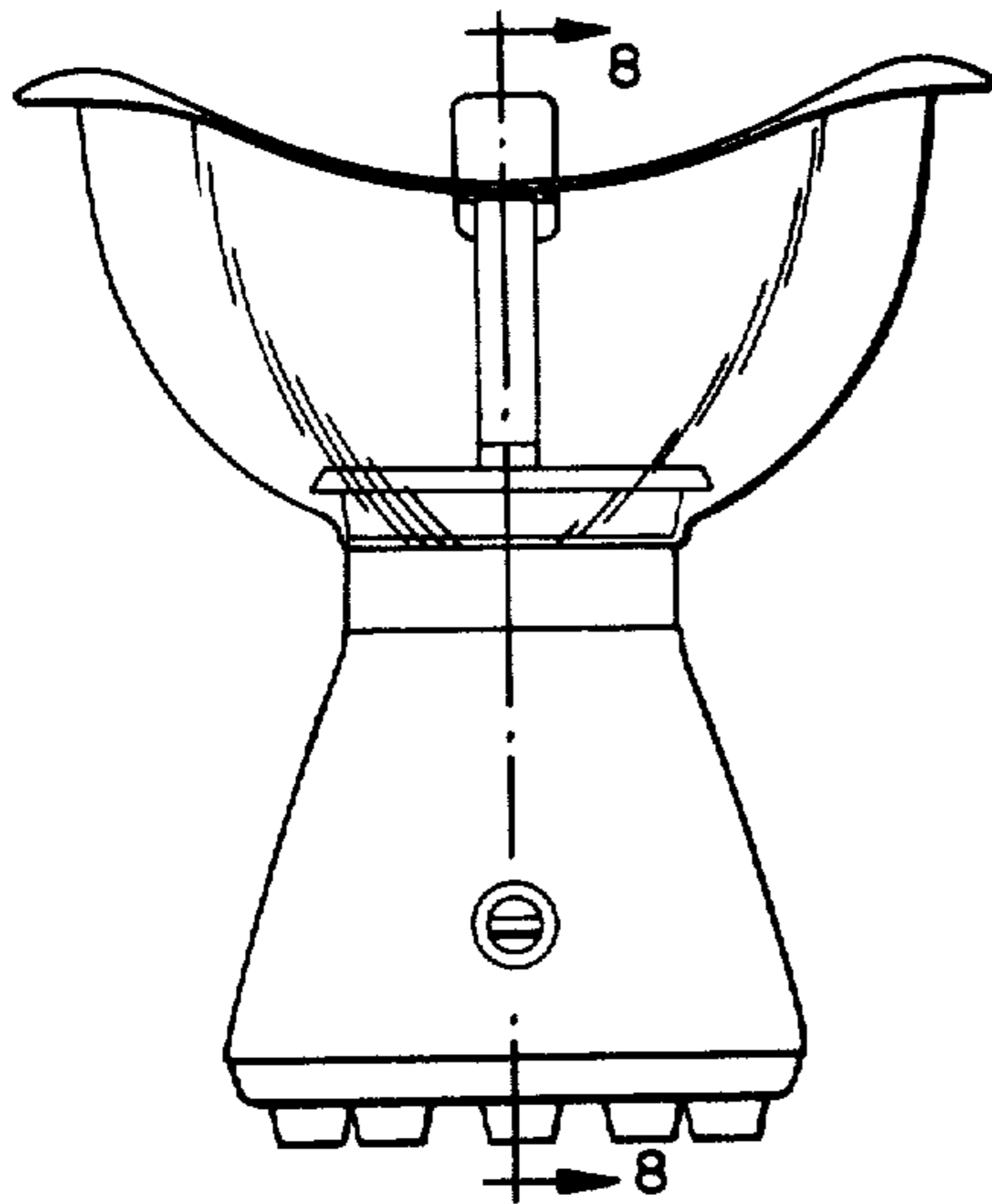


FIG. 2

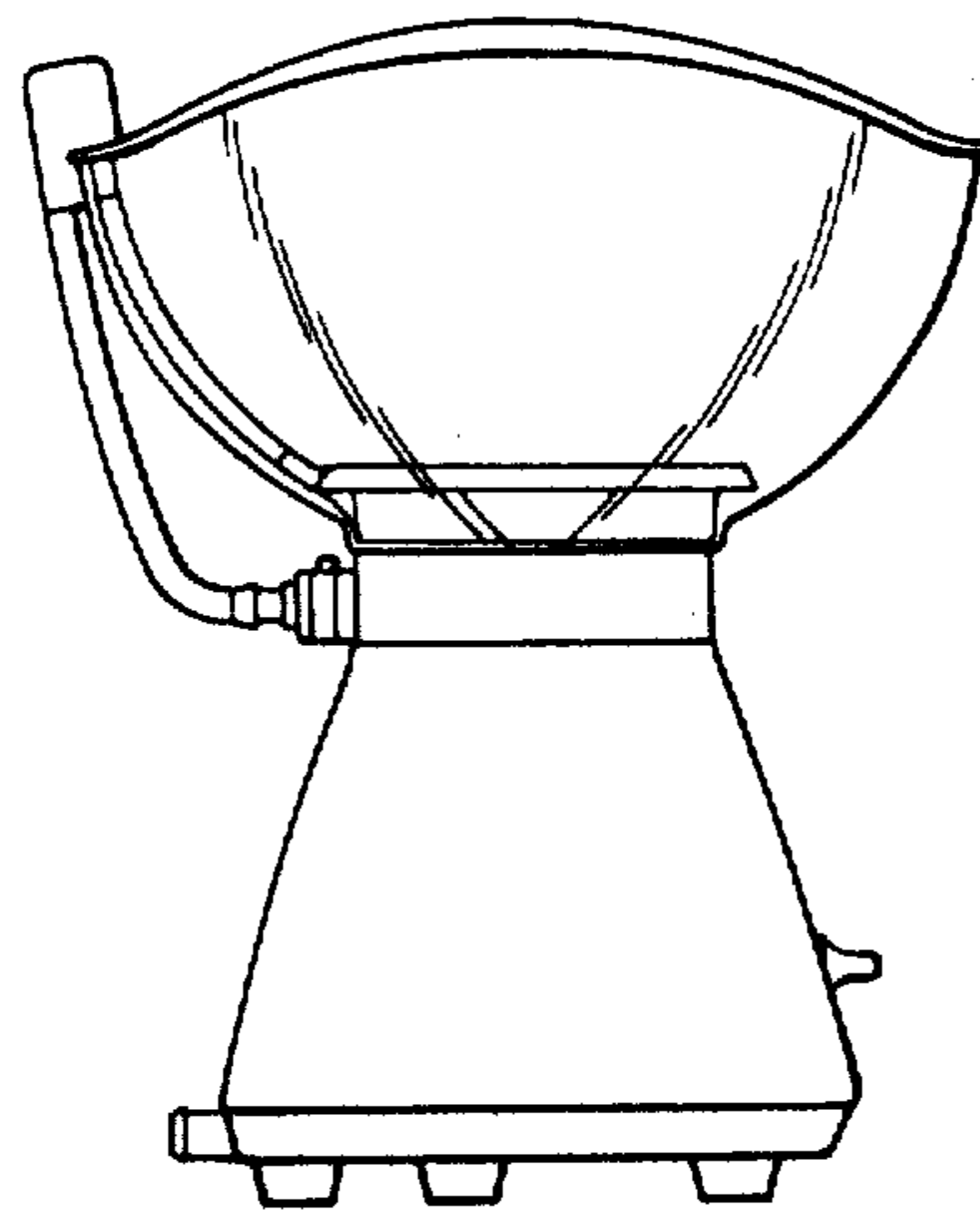


FIG. 3

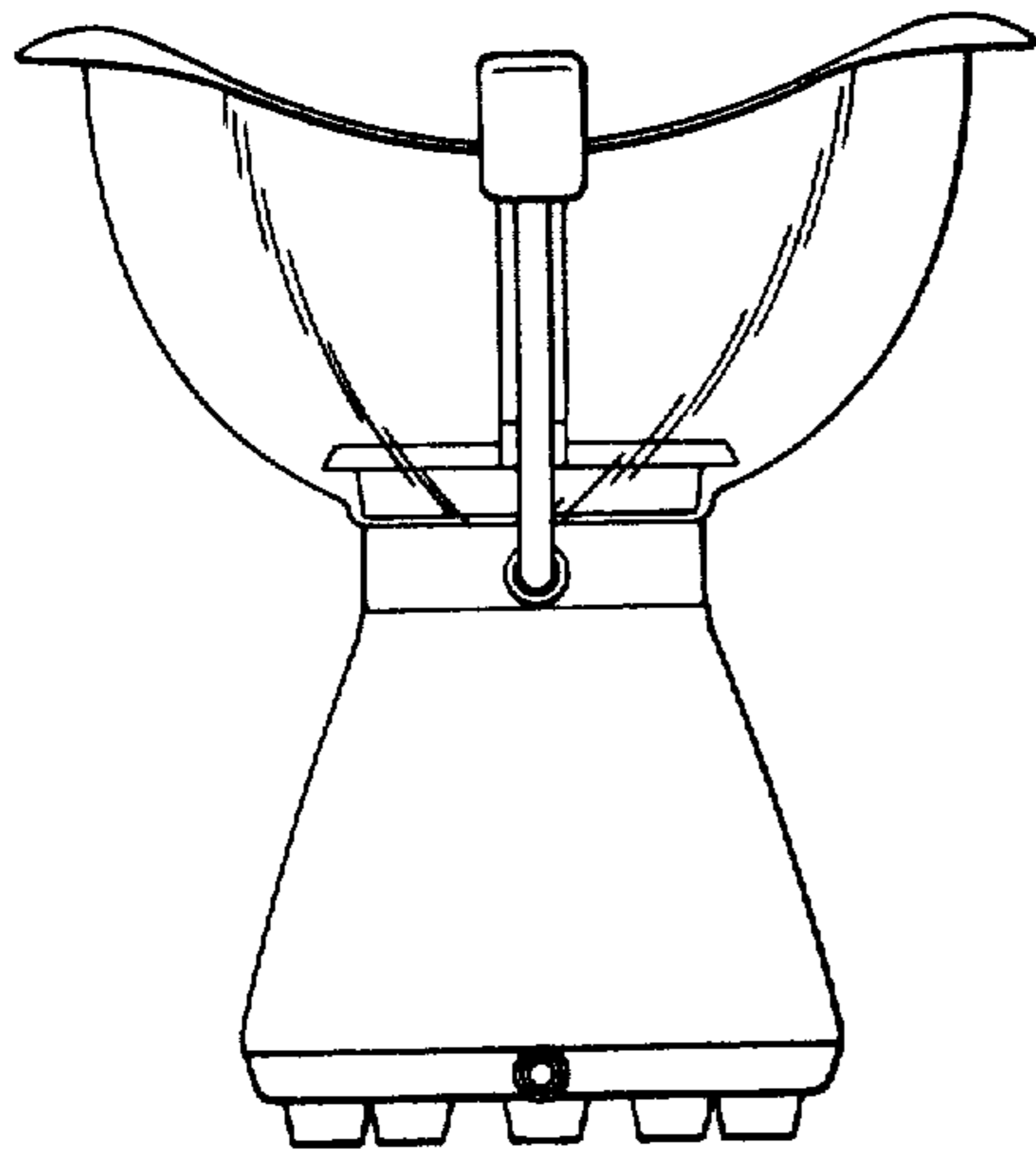


FIG. 8

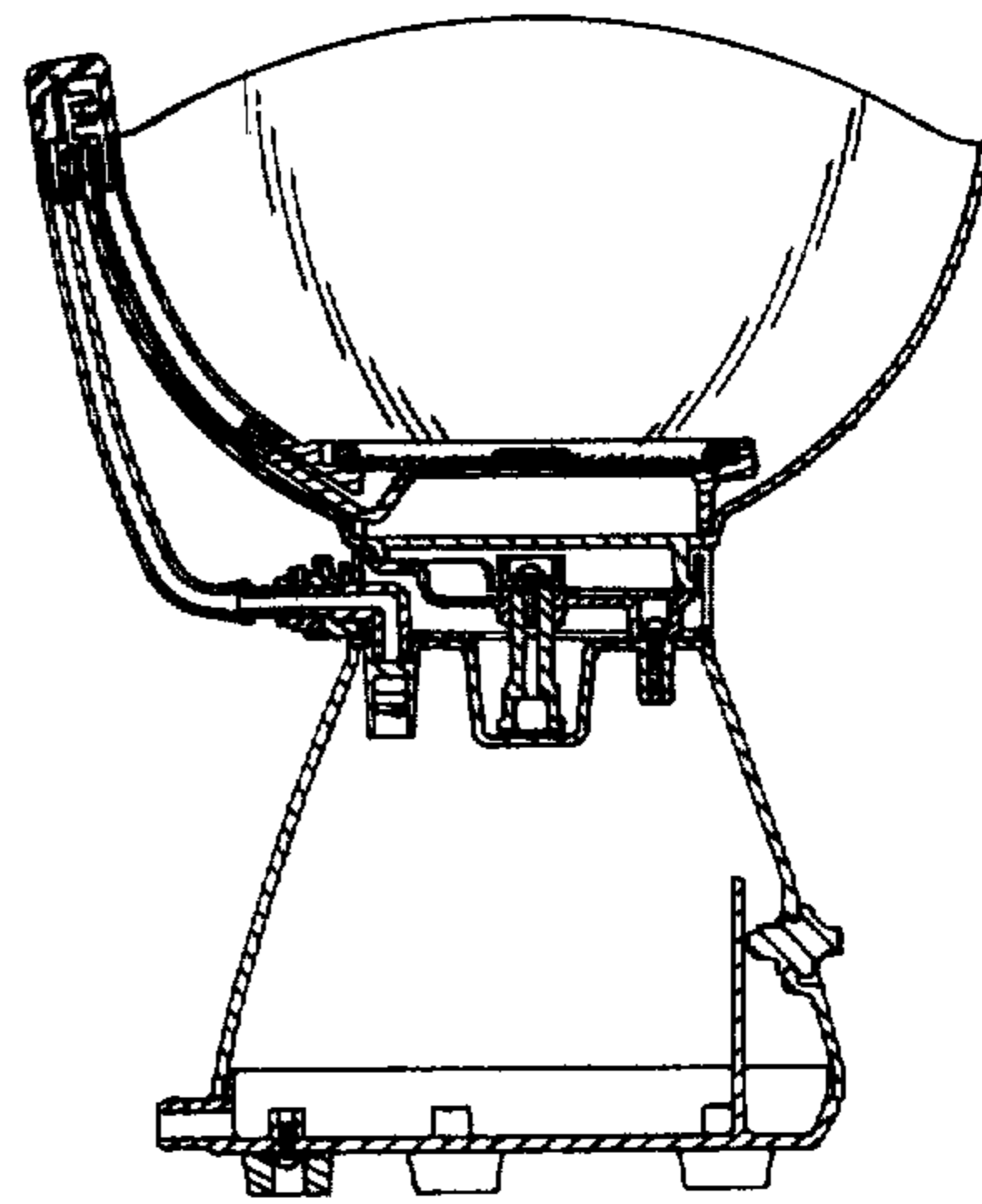


FIG. 4

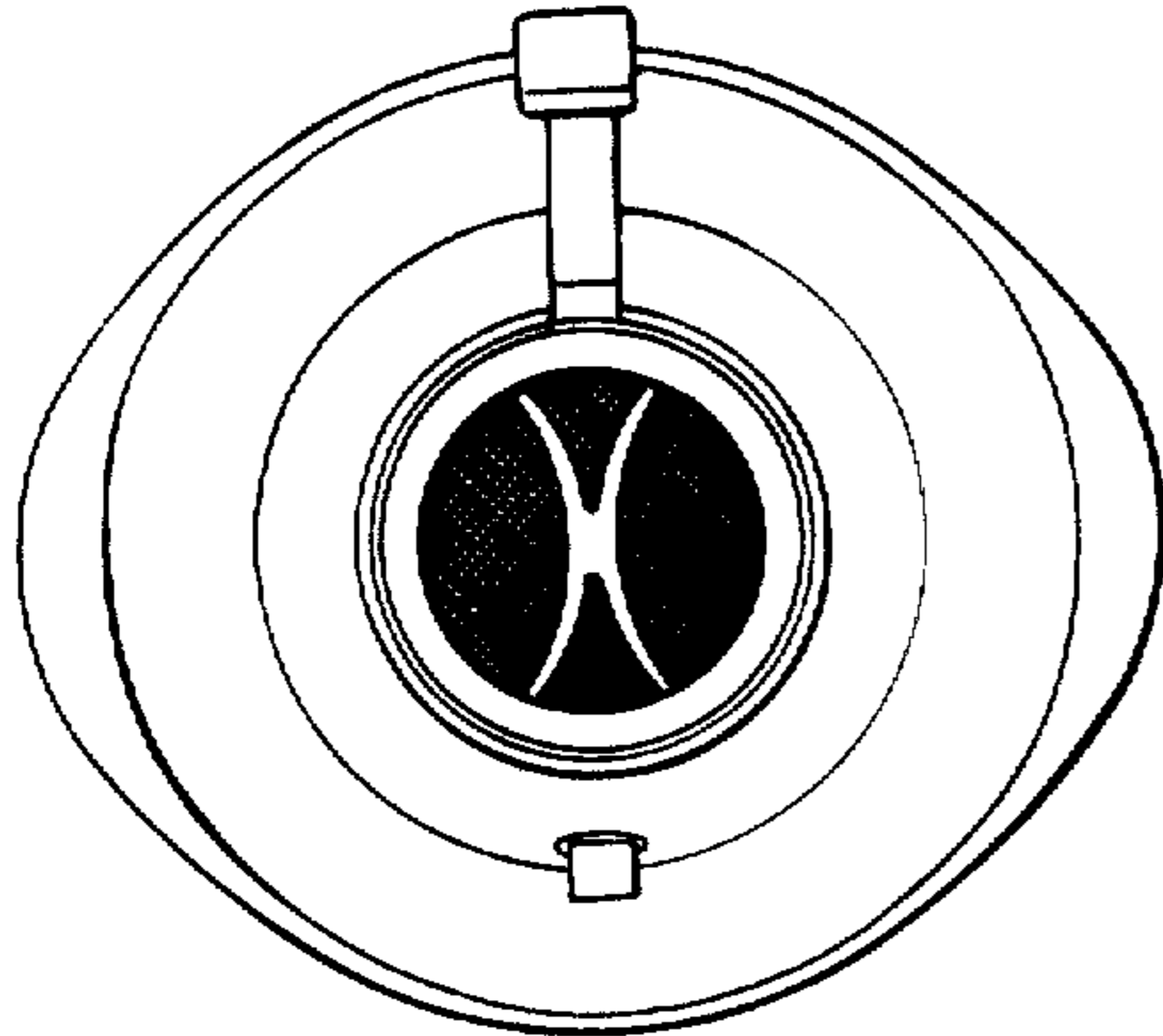


FIG. 5

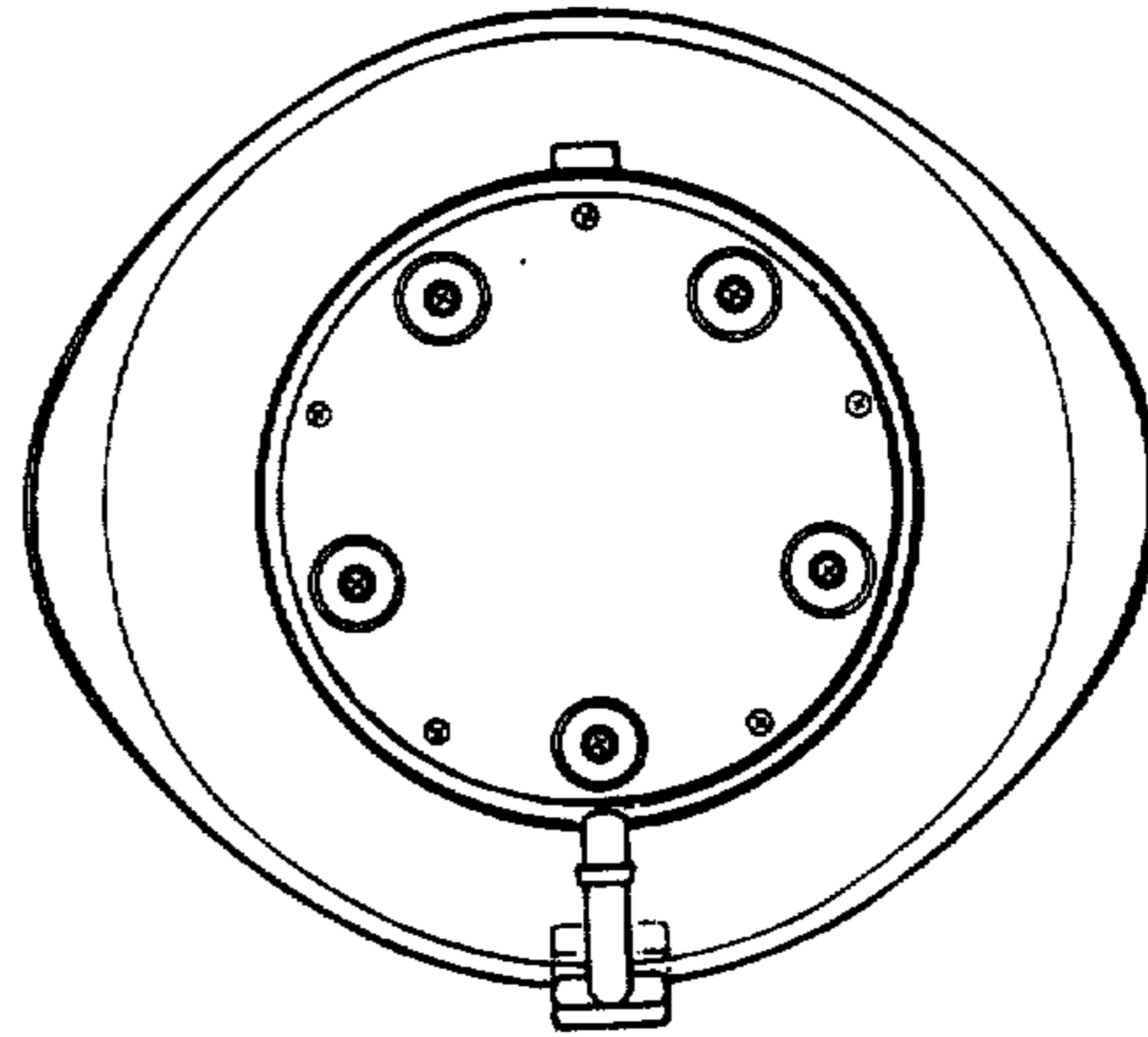


FIG. 6

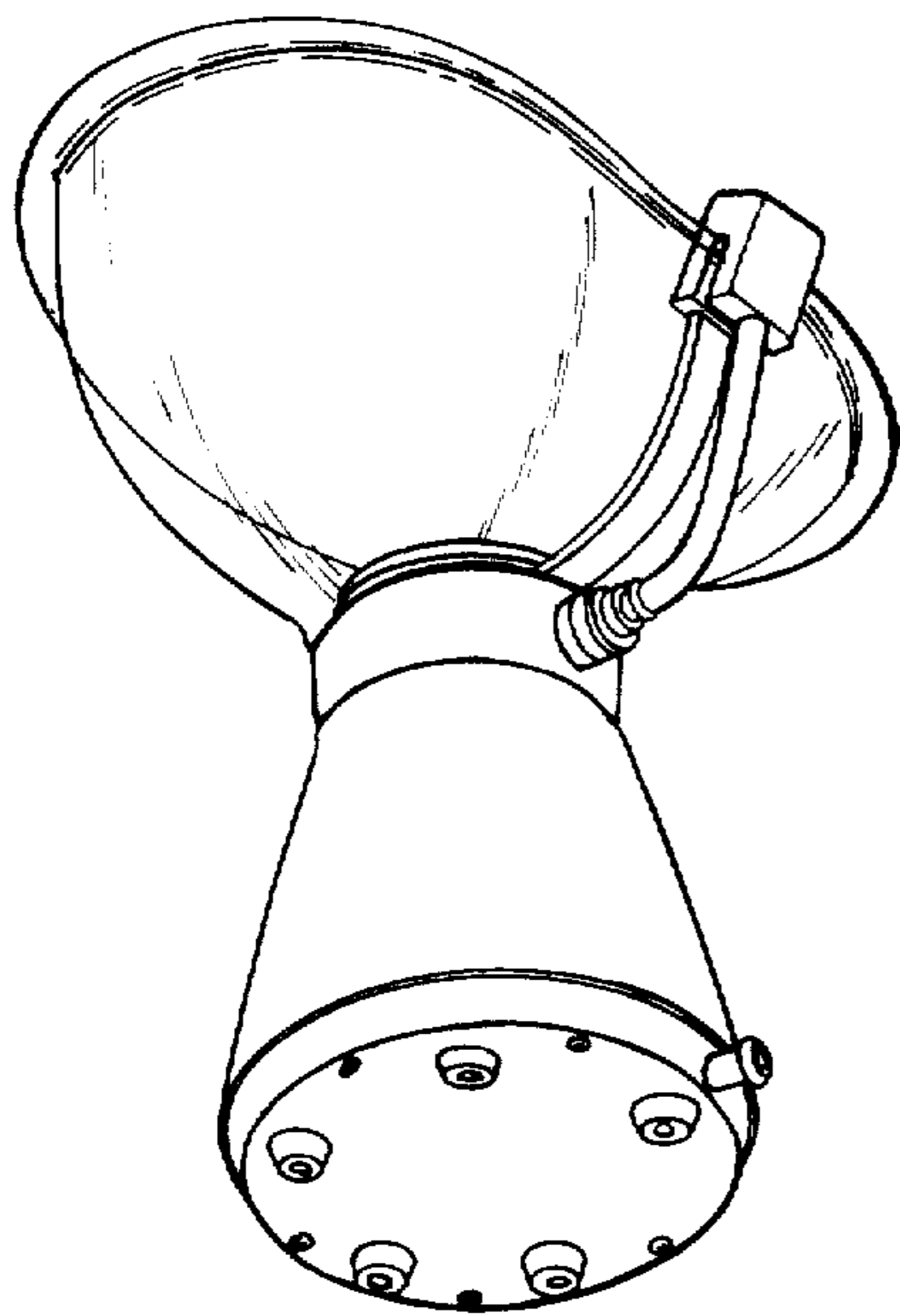


FIG. 7

