

[54] PROPANE TANK SAFETY PRESSURE VENT VALVE

[76] Inventor: Raymond R. Crossman, 2796 Wissemann Dr., Sacramento, Calif. 95816

[**] Term: 14 Years

[21] Appl. No.: 122,595

[22] Filed: Feb. 19, 1980

[51] Int. Cl. D23-01
[52] U.S. Cl. D23/19
[58] Field of Search D23/19-22; 137/516.17, 540, 541, 542; 251/144

[56] References Cited

U.S. PATENT DOCUMENTS

D. 223,094	3/1972	Coleman et al.	D23/19
D. 232,360	8/1974	Watts	D23/19
1,833,796	11/1931	Rivero	137/541

1,973,258	9/1934	Jensen	137/549 X
2,138,000	11/1938	Ehlers	137/540 X
2,155,124	4/1939	Gibbons	137/541
2,781,778	2/1957	Lisciani	137/540
3,131,718	5/1964	Mingrone	137/541 X

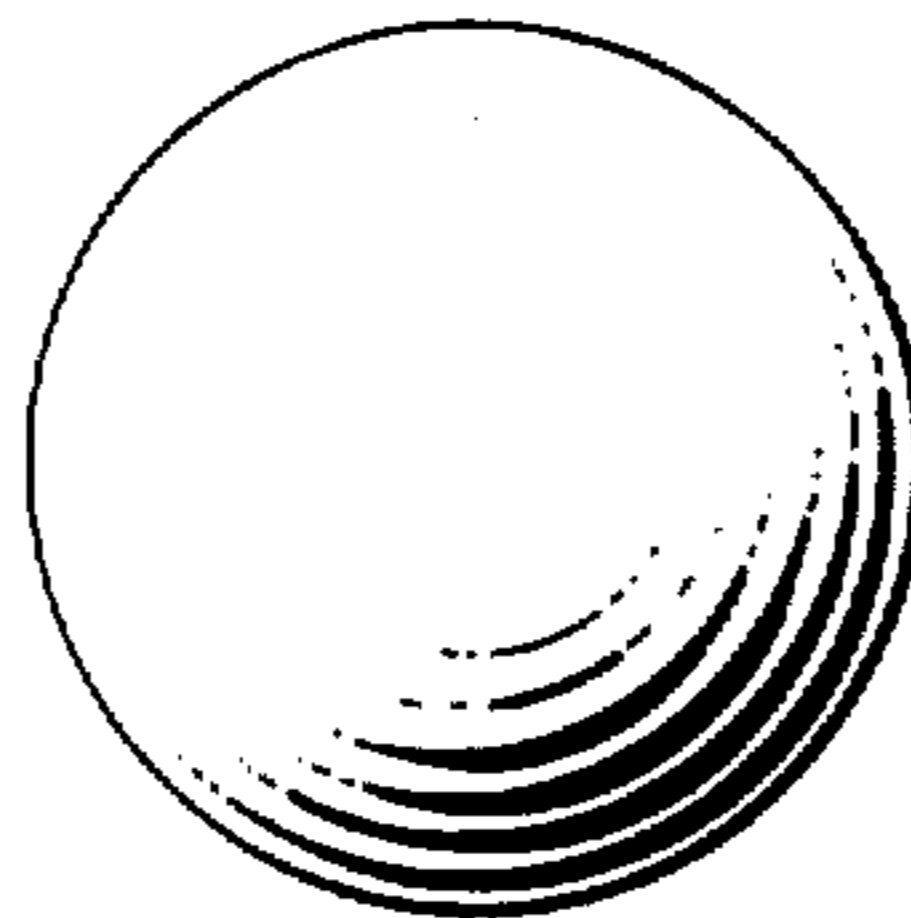
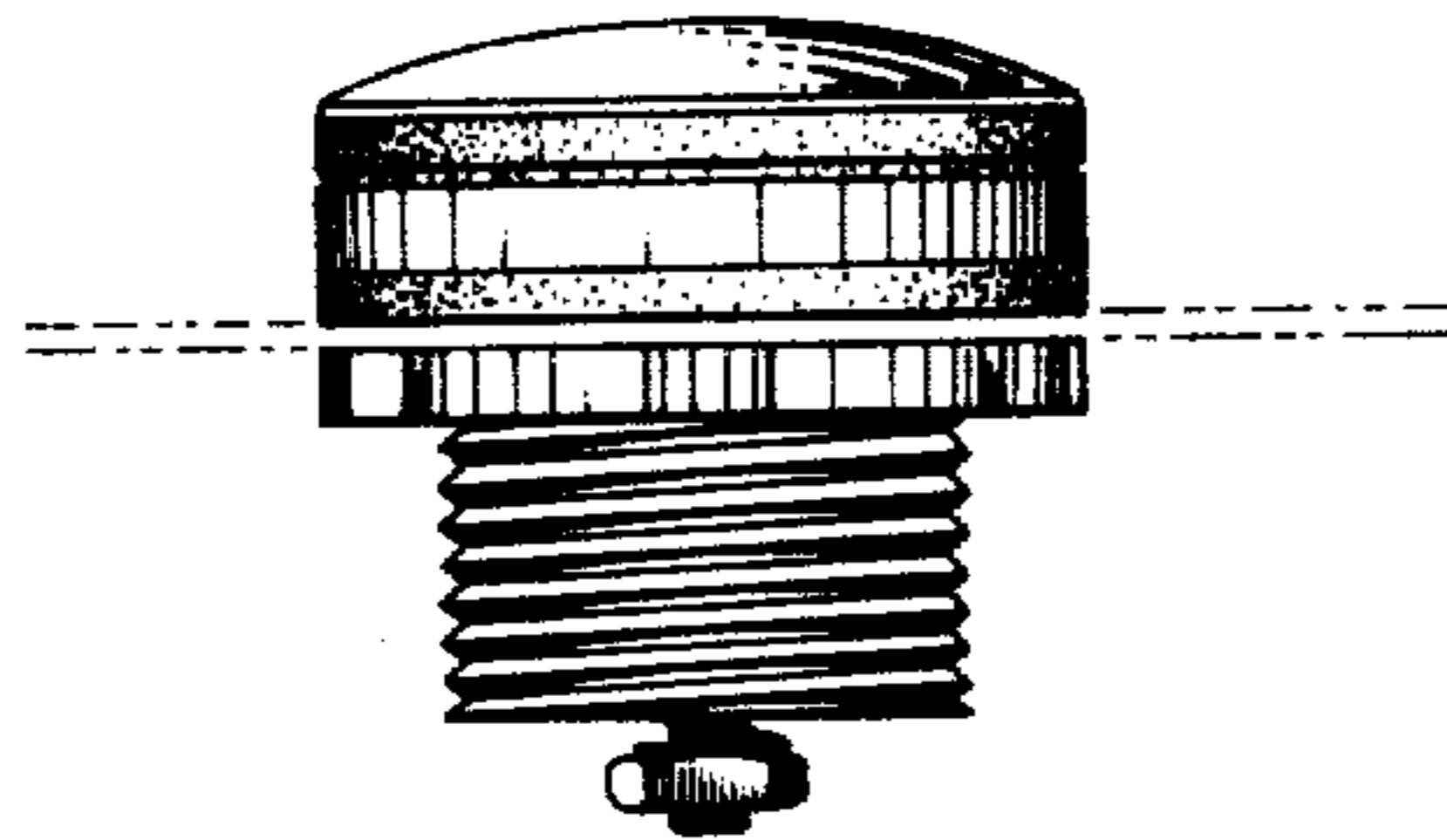
Primary Examiner—James R. Largen
Attorney, Agent, or Firm—Lothrop & West

[57] CLAIM

The ornamental design for a propane tank safety pressure vent valve, as shown and described.

DESCRIPTION

FIG. 1 is an exploded perspective view of a propane tank safety pressure vent valve, showing my new design; FIG. 2 is a side elevational view thereof; FIG. 3 is a top plan view thereof; and, FIG. 4 is a bottom plan view thereof. The fragmentary broken line representation of a propane tank in FIG. 2 is for purposes of illustration only and forms no part of the claimed design.



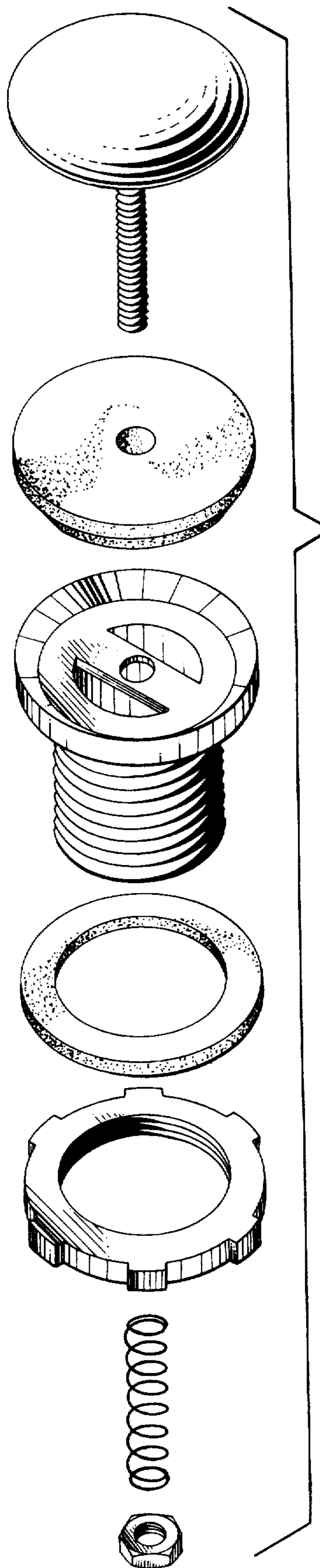


FIG-1

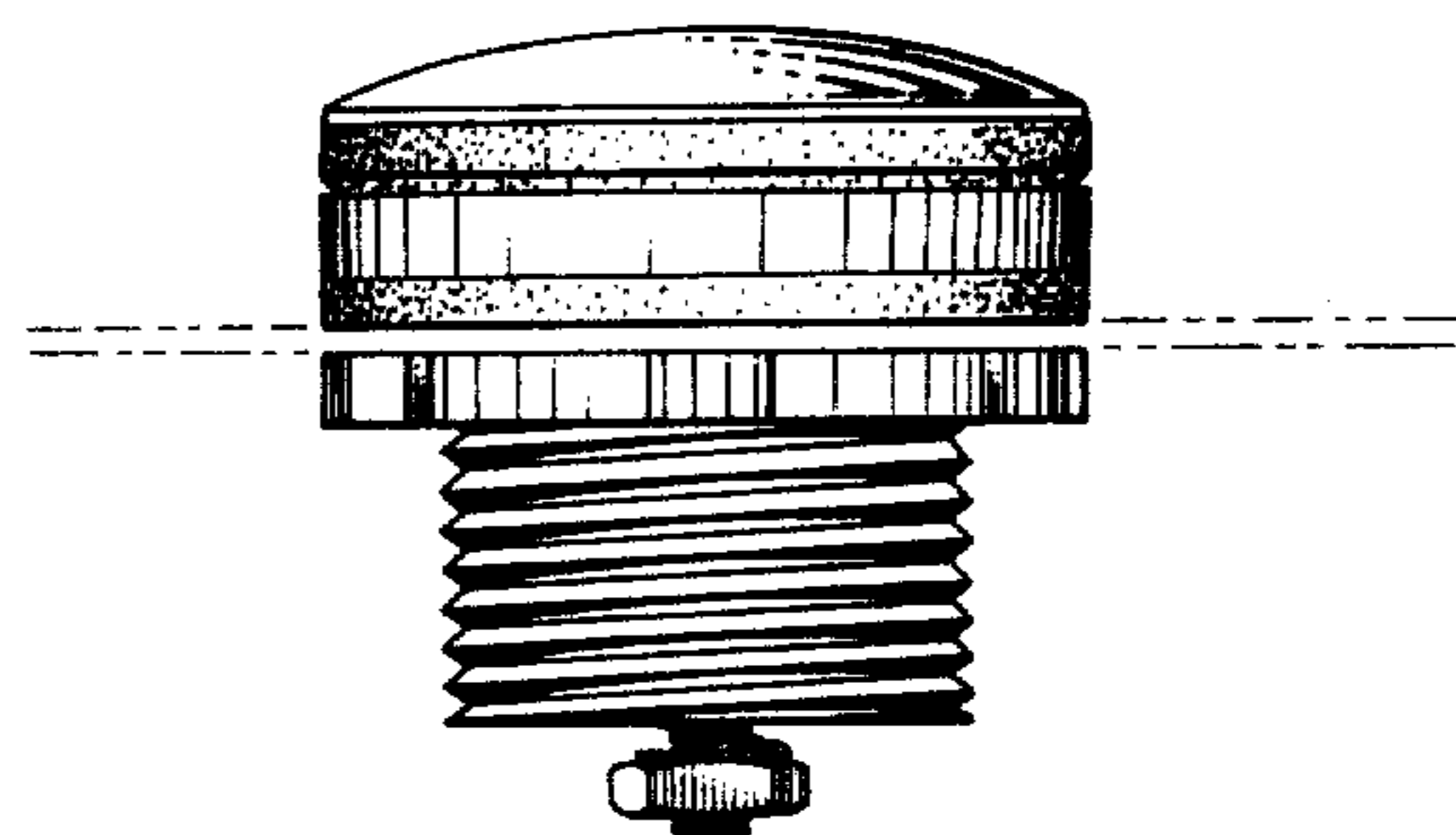


FIG-2

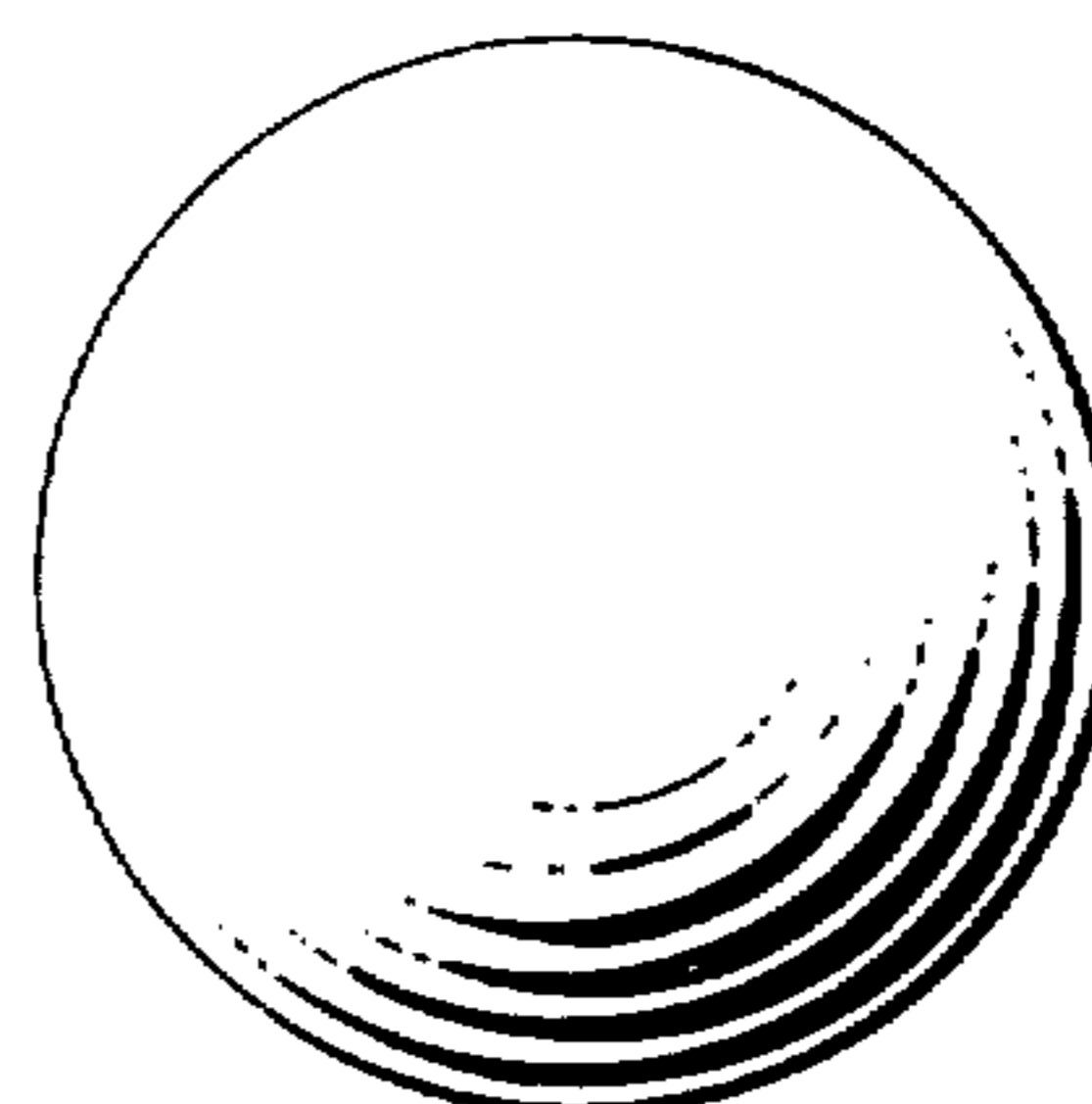


FIG-3

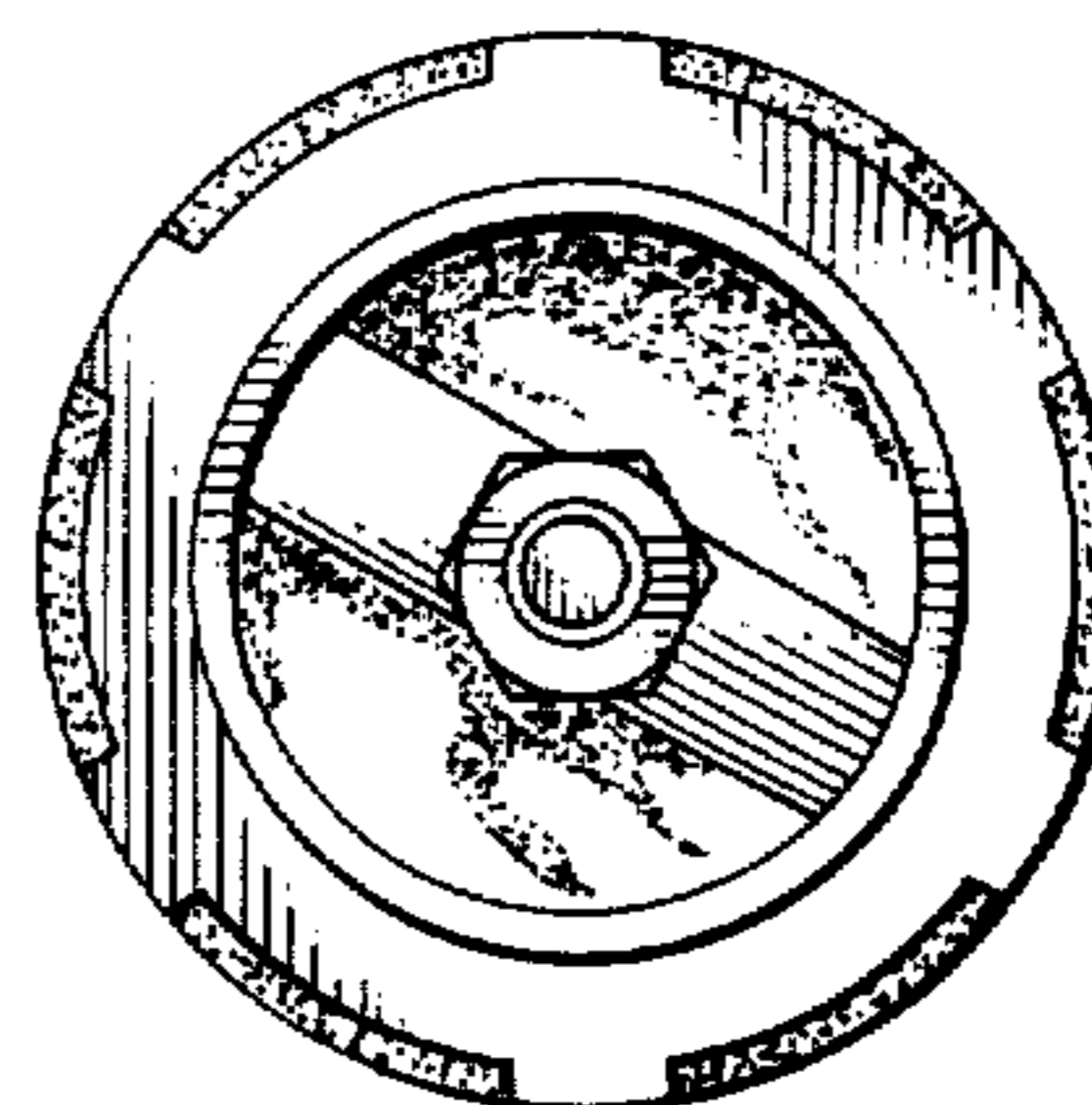


FIG-4