

[54] DESK ACCESSORY FOR HOLDING RUBBER BANDS AND PAPER CLIPS AND THE LIKE

[76] Inventor: Shirley Carney, 7012 Wakefield, Dallas, Tex. 75231

[**] Term: 14 Years

[21] Appl. No.: 183,850

[22] Filed: Sep. 3, 1980

[51] Int. Cl. D19-02

[52] U.S. Cl. D19/75; D6/28; D19/95

[58] Field of Search D6/20, 25, 28; D11/157; D27/8, 12; 211/69.1, 33, 37; D19/75, 65, 95; 248/370

[56] References Cited

U.S. PATENT DOCUMENTS

- D. 74,822 4/1928 Bouy D6/20
- D. 253,339 11/1979 Cloyd D11/157

OTHER PUBLICATIONS

- A. Salm Cat. 1975, p. 10, Item 252.
- A. Salm Cat. 1975, p. 18, Item 704.

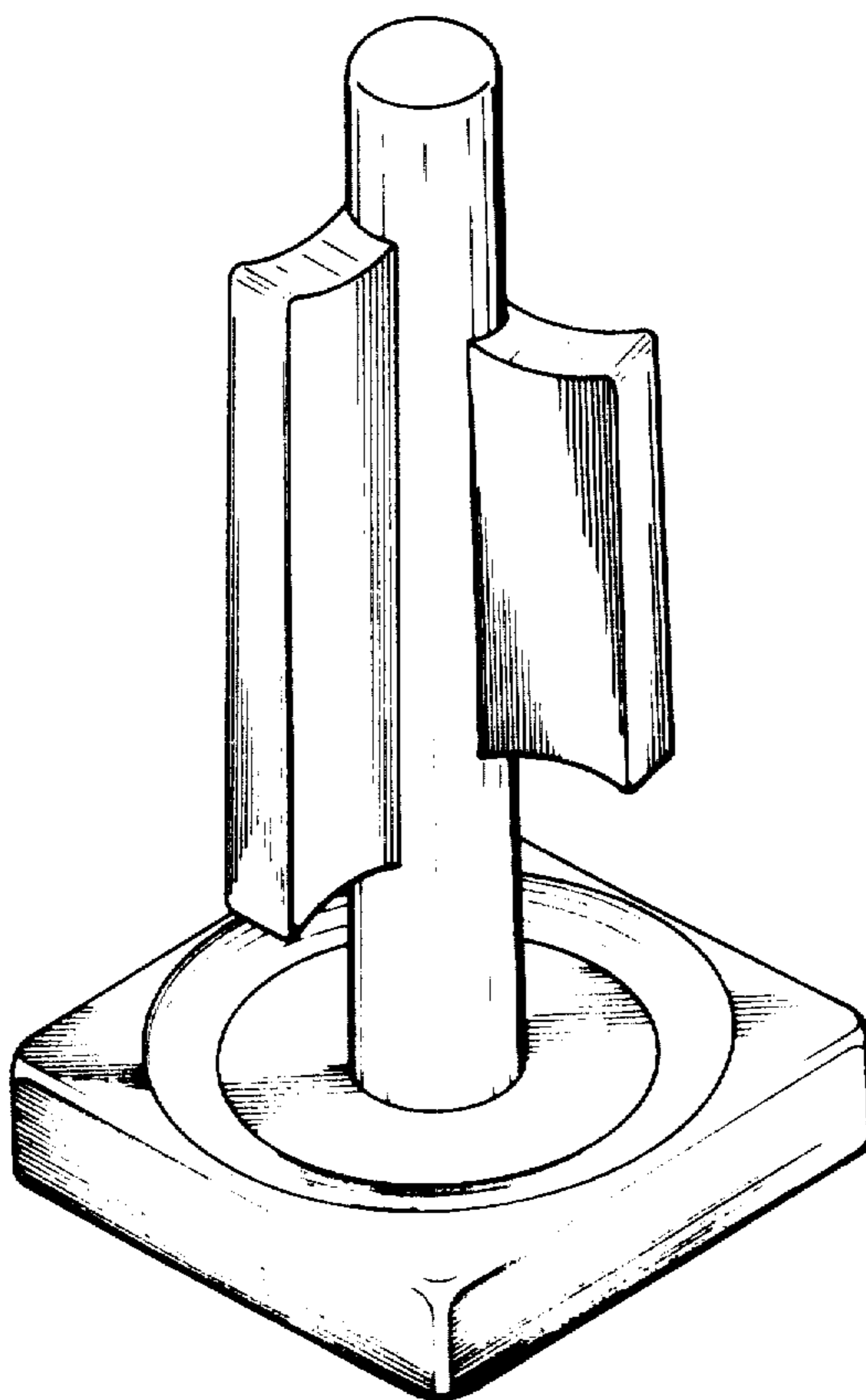
Primary Examiner—George P. Word
Attorney, Agent, or Firm—Charles W. McHugh

[57] CLAIM

The ornamental design for a desk accessory for holding rubber bands and paper clips and the like, as shown.

DESCRIPTION

FIG. 1 is a perspective view of a "desk accessory for holding rubber bands and paper clips and the like," showing my new design;
 FIG. 2 is a right side elevational view thereof;
 FIG. 3 is a top plan view thereof;
 FIG. 4 is a front elevational view thereof;
 FIG. 5 is a rear elevational view thereof;
 FIG. 6 is a bottom plan view thereof; and
 FIG. 7 is a left side elevational view.



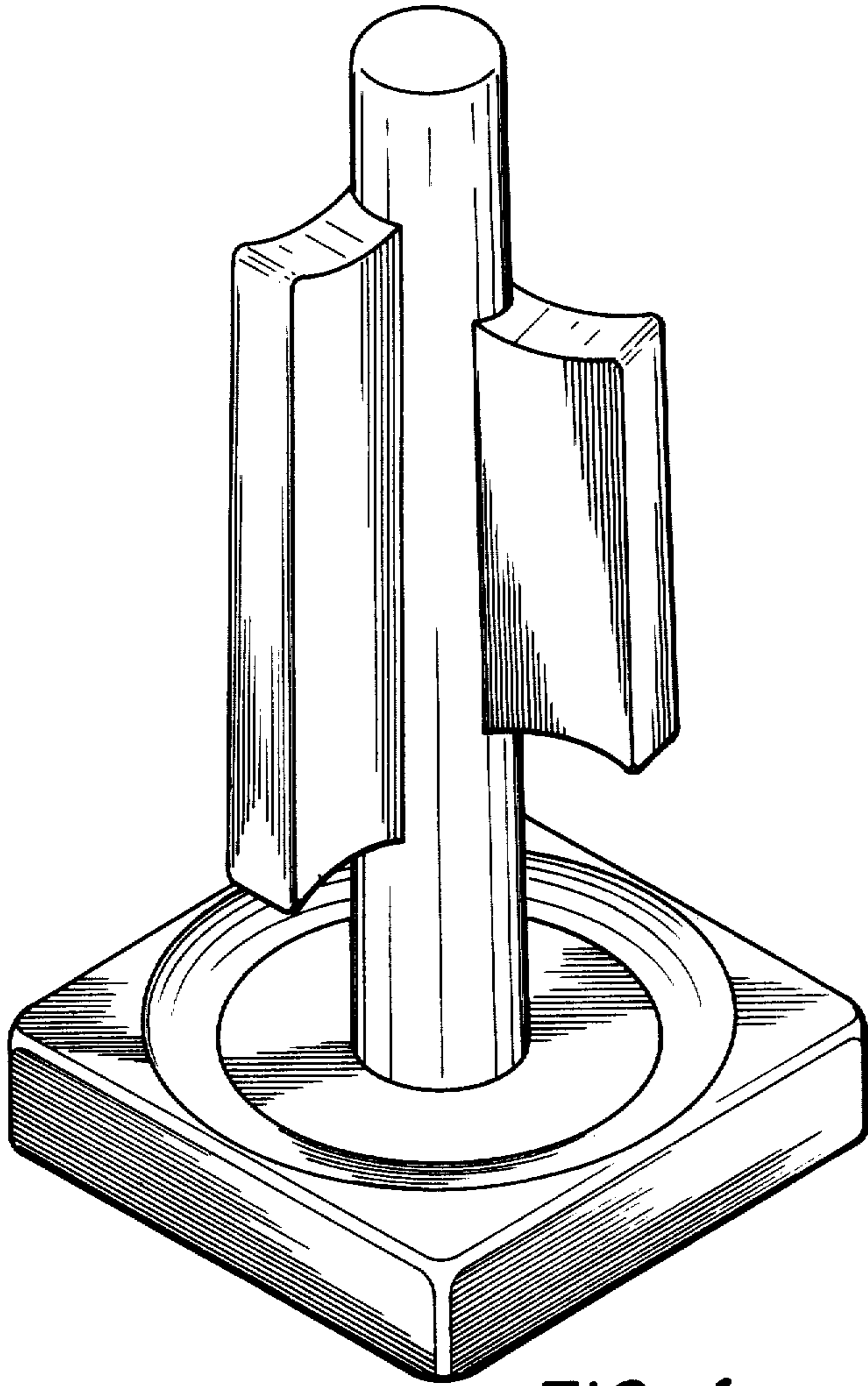


FIG. 1

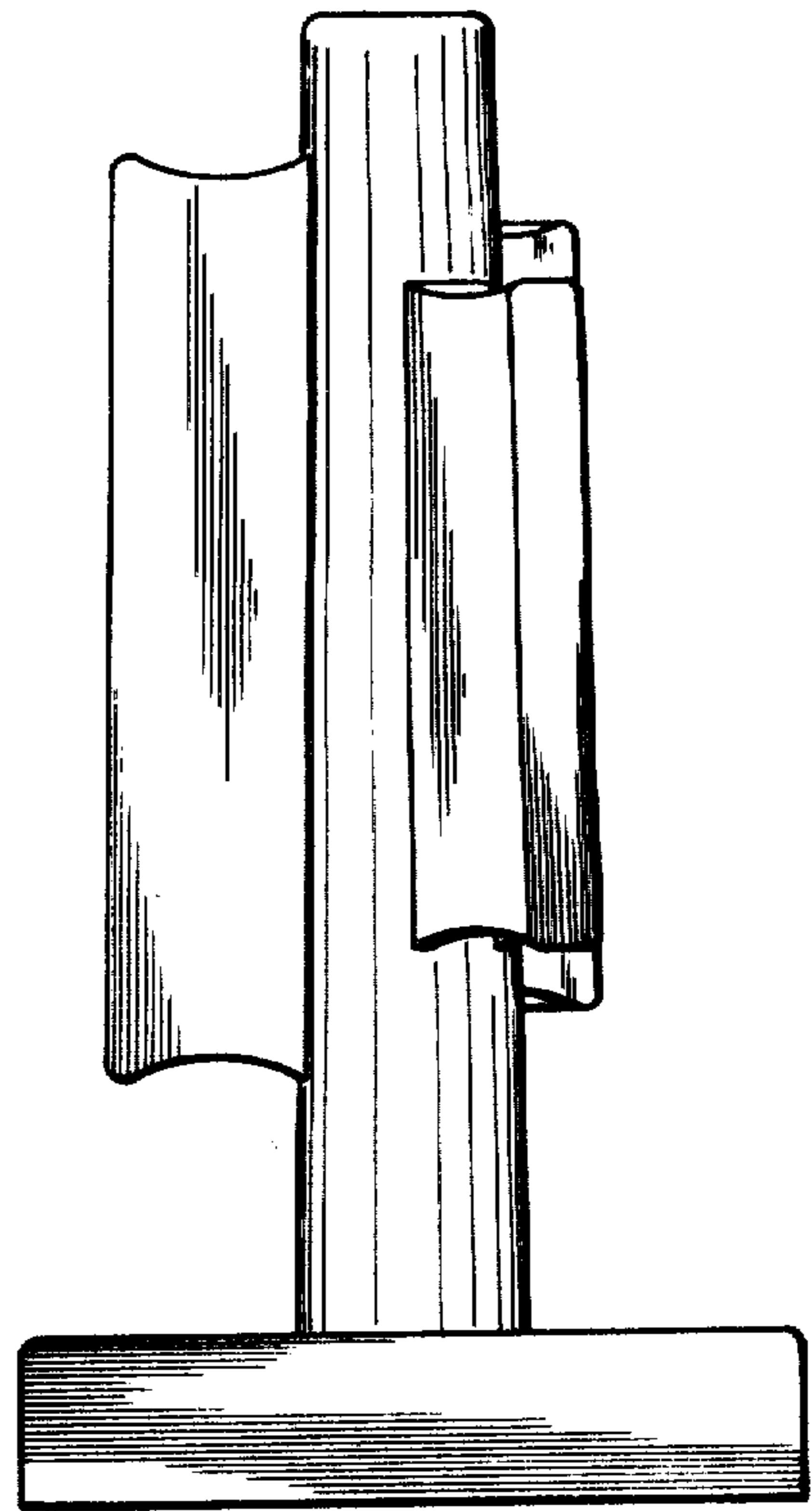


FIG. 2

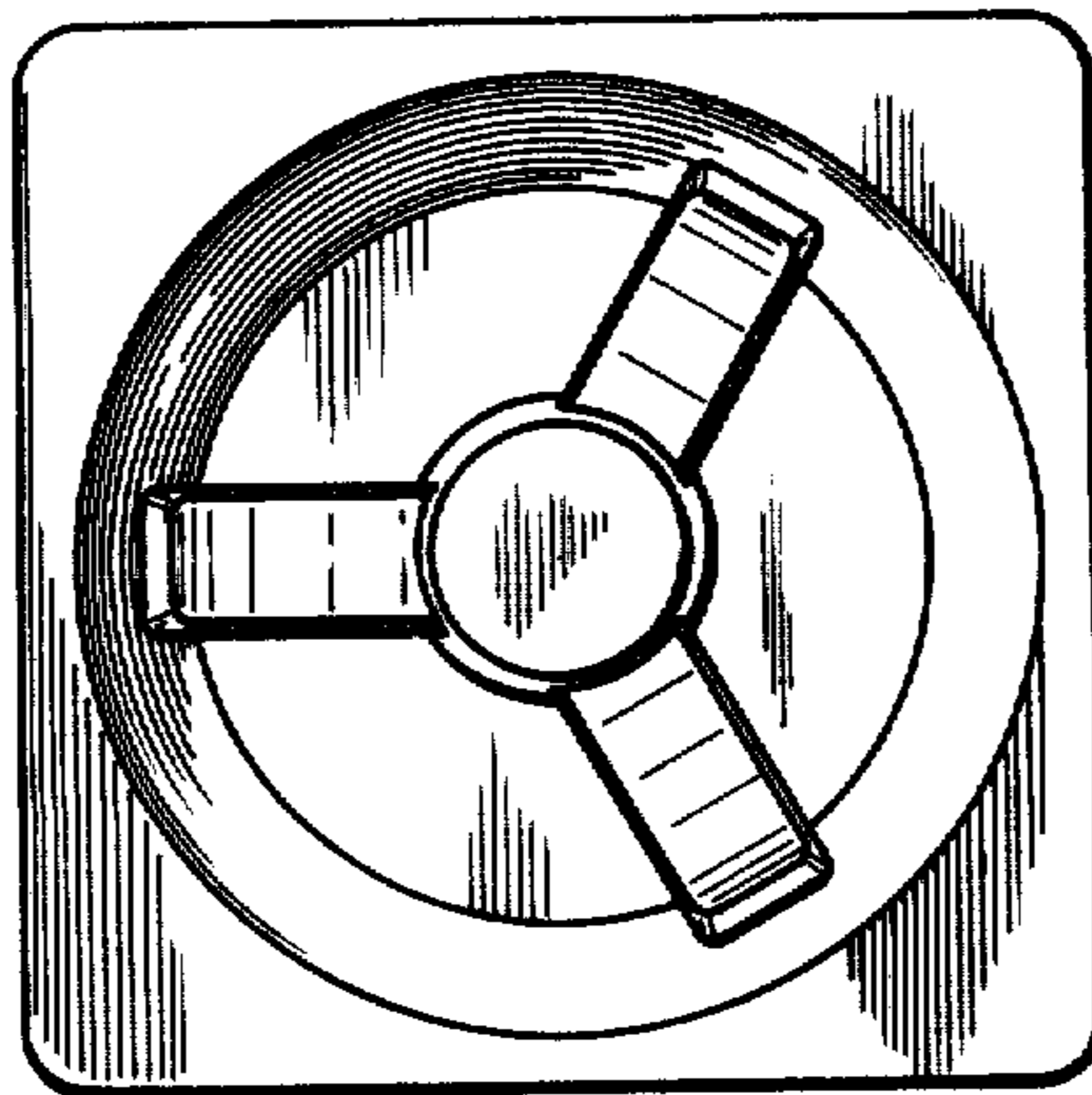


FIG. 3

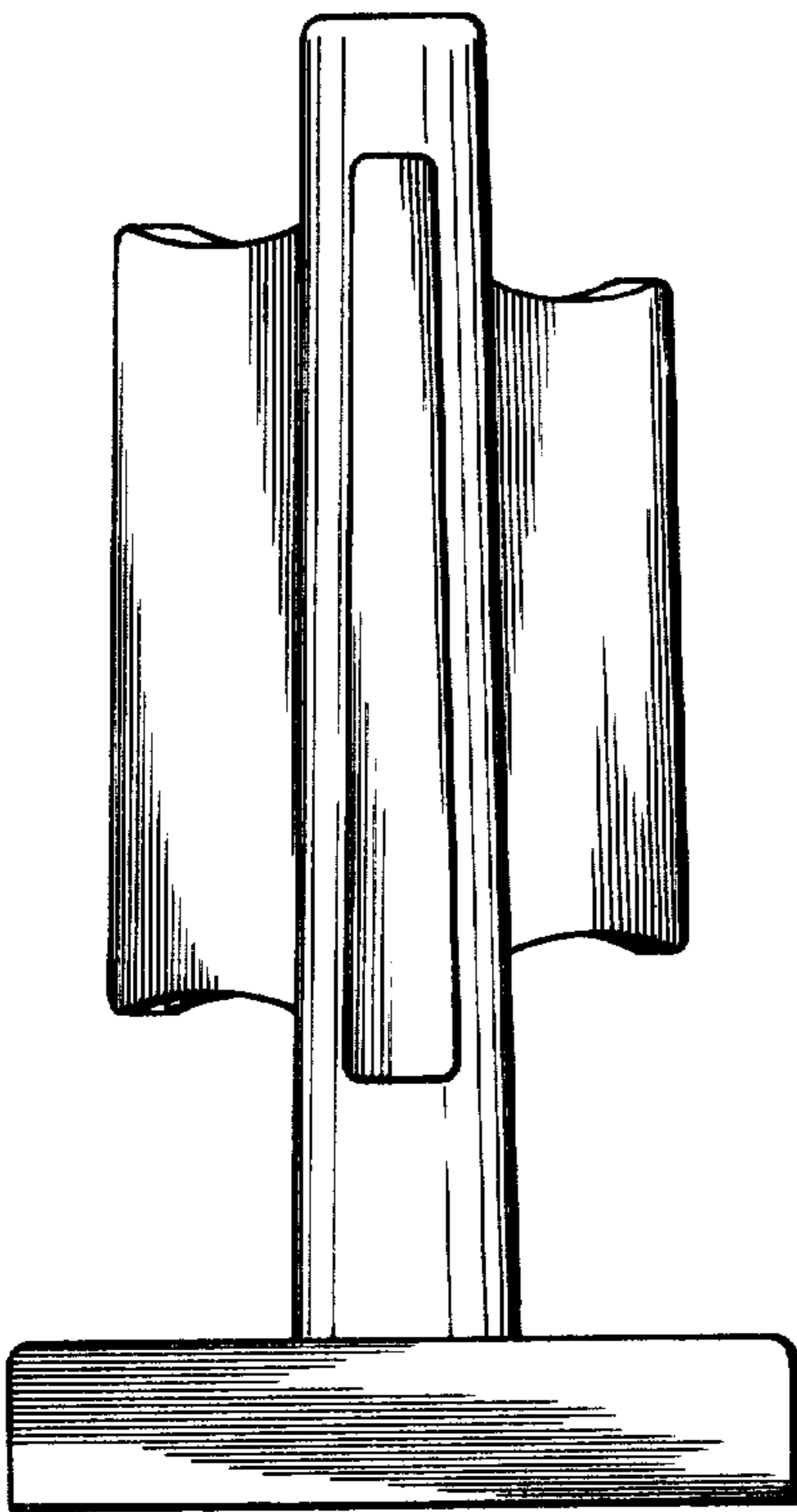


FIG. 4

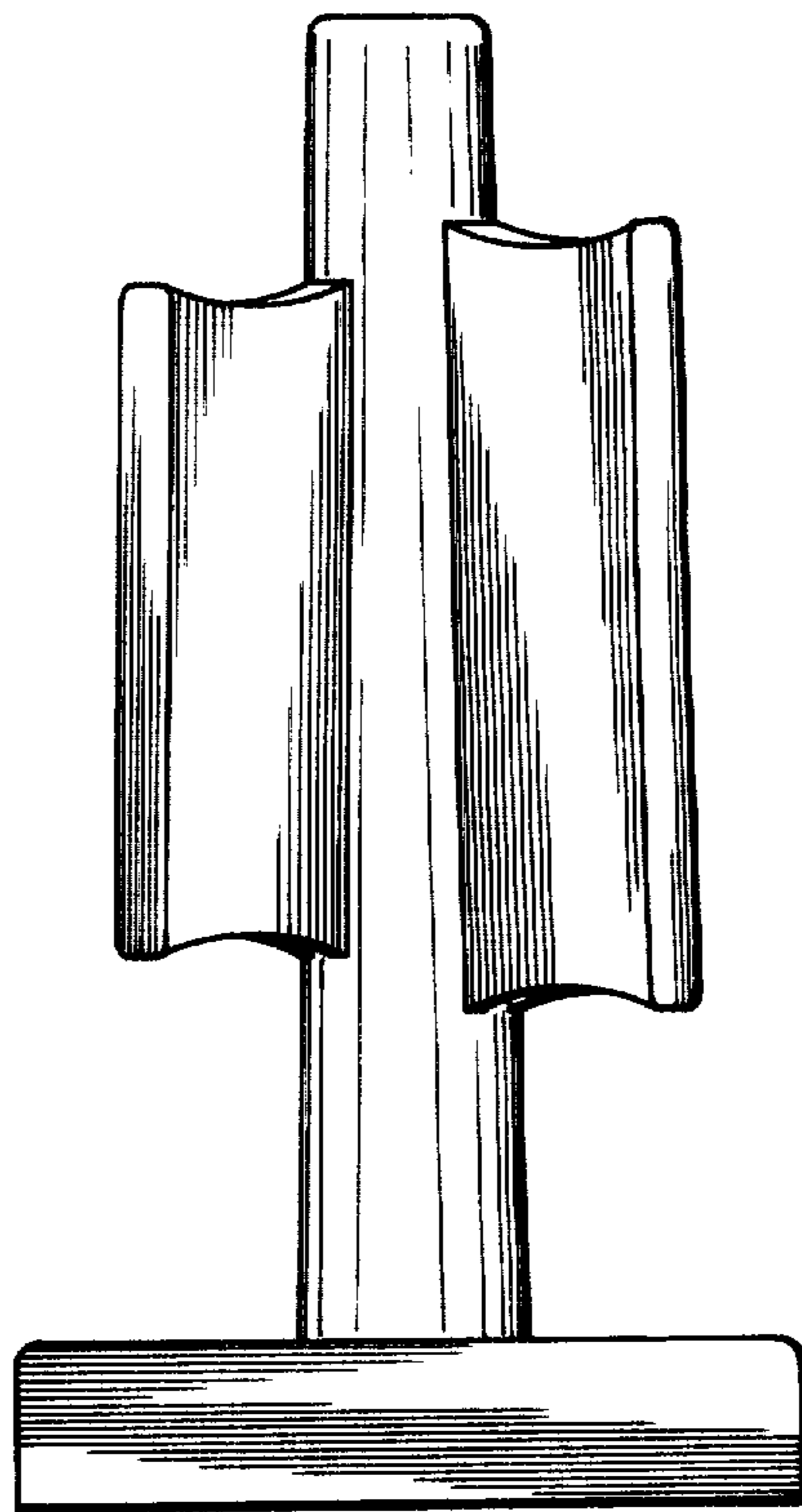


FIG. 5

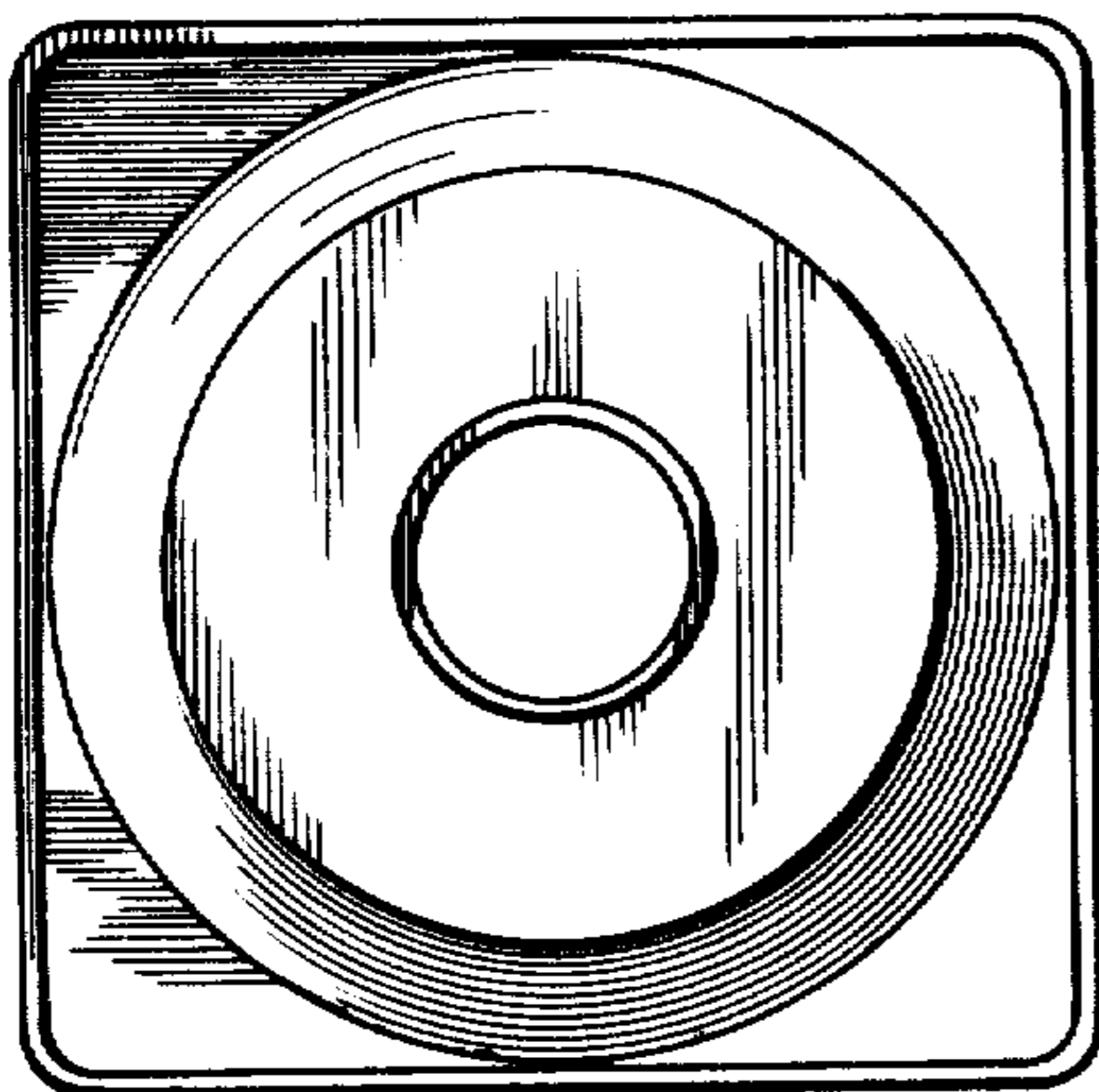


FIG. 6

FIG. 7

