

[54] CALCULATOR KEYBOARD MODULE

[75] Inventors: Myron Beitler, West Orange; John N. Johnston, North Plainfield, both of N.J.

[73] Assignee: Litton Business Systems, Inc., Morris Plains, N.J.

[**] Term: 14 Years

[21] Appl. No.: 40,133

[22] Filed: May 18, 1979

[51] Int. Cl. D18-01
[52] U.S. Cl. D18/7; D18/12
[58] Field of Search D18/2, 6-8, D18/12; D14/45; 200/5 R; 364/706-710

[56]

References Cited

U.S. PATENT DOCUMENTS

D. 227,671	7/1973	Yamamoto	D18/7
3,617,661	11/1971	Nome et al.	200/5 R
3,721,778	3/1973	Seeger, Jr. et al.	200/5 R
3,736,397	5/1973	Pedersen	200/5 R

Primary Examiner—Louis S. Zarfes
Attorney, Agent, or Firm—Michael H. Wallach; Robert F. Rotella

[57]

CLAIM

The ornamental design for a calculator keyboard module, as shown.

DESCRIPTION

FIG. 1 is a top plan view of a preferred embodiment of a calculator keyboard module showing our new design; FIG. 2 is a bottom plan view thereof; FIG. 3 is a front elevational view thereof; FIG. 4 is a rear elevational view thereof; FIG. 5 is a left side elevational view thereof; and FIG. 6 is a right side elevational view thereof.

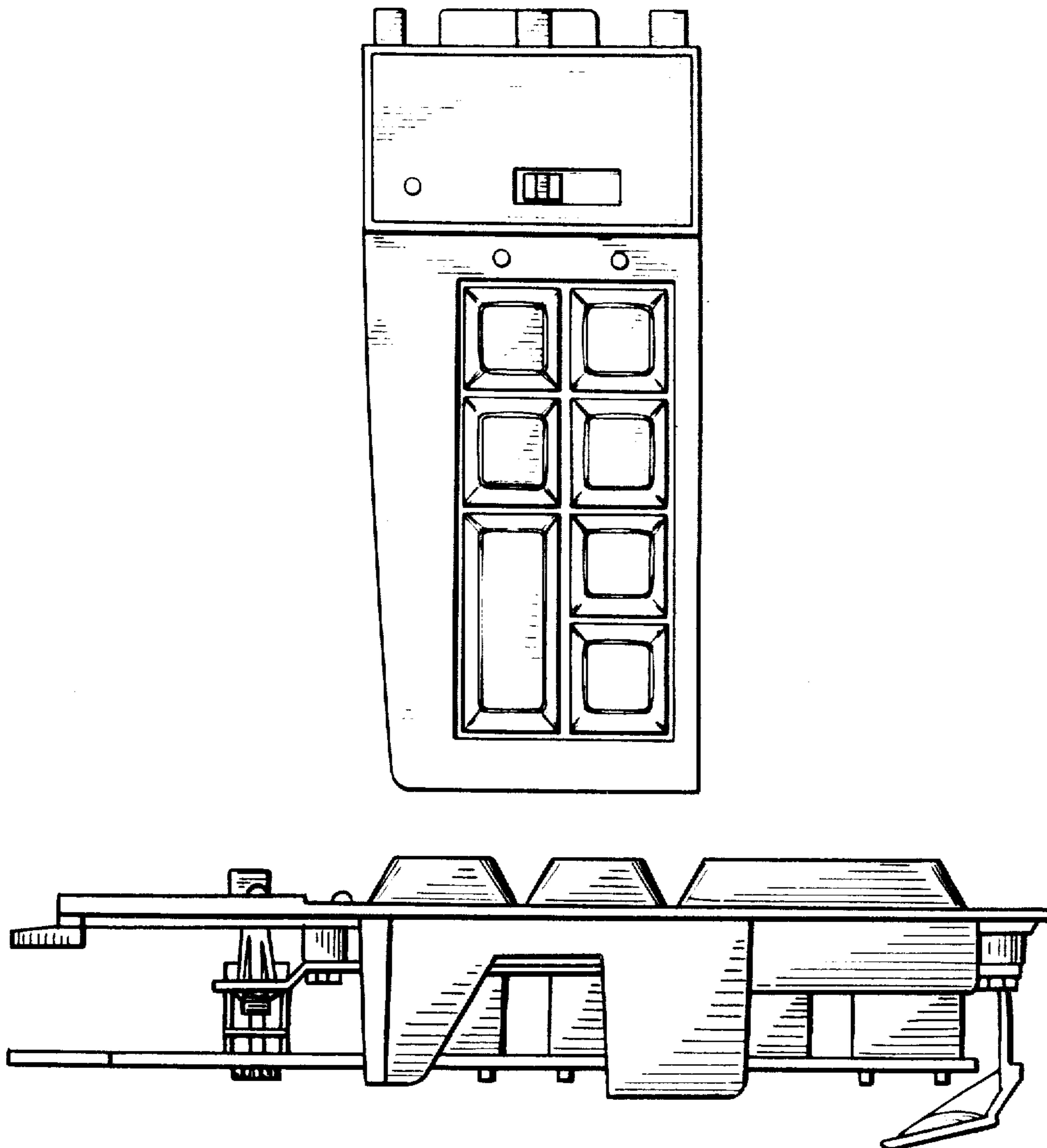


FIG. 1

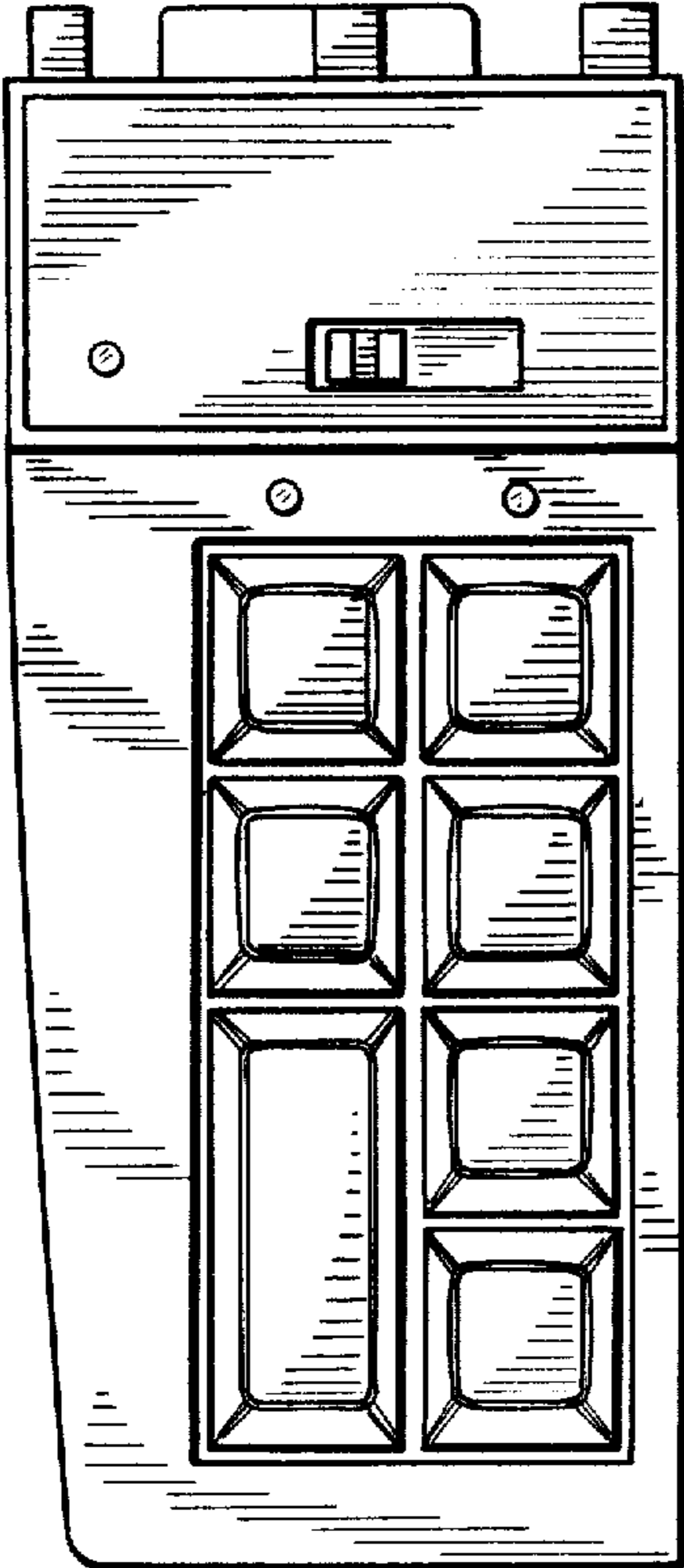


FIG. 2

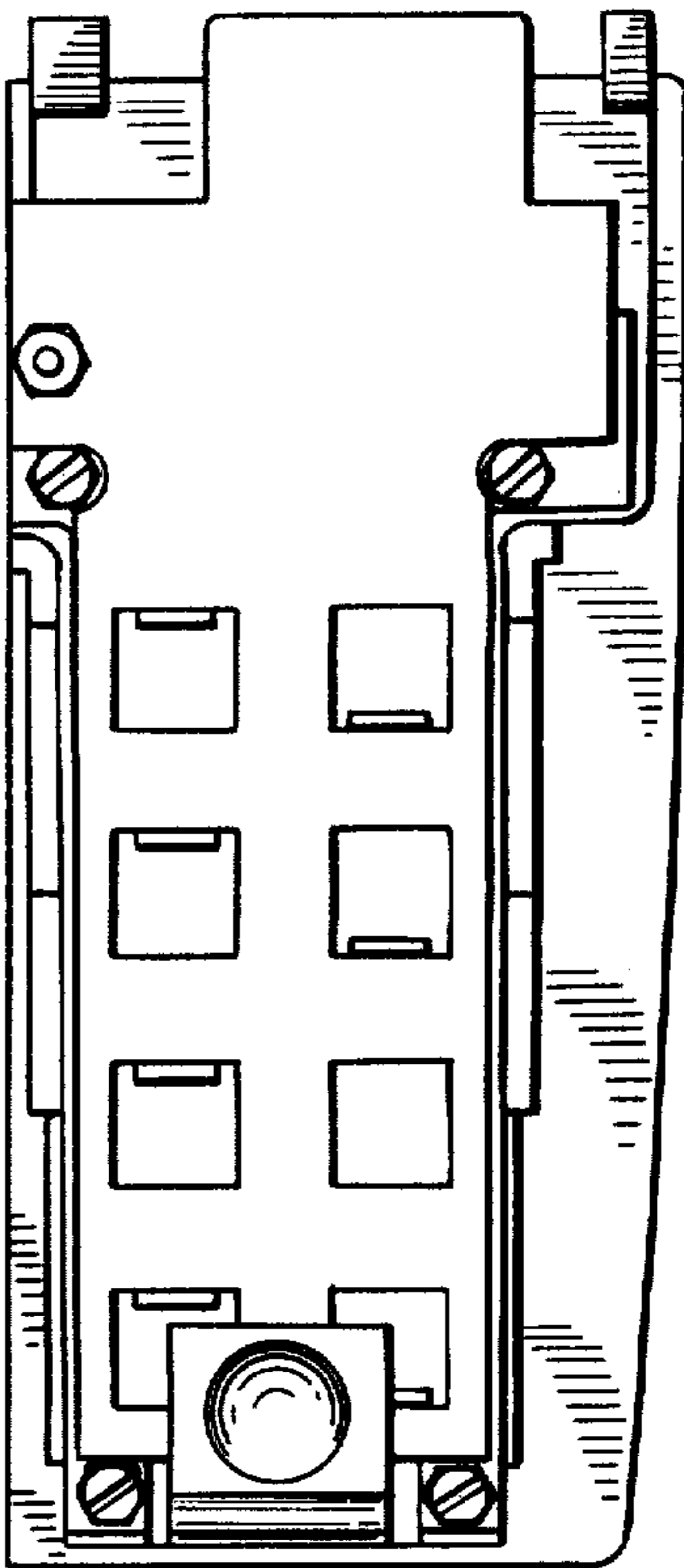


FIG. 4

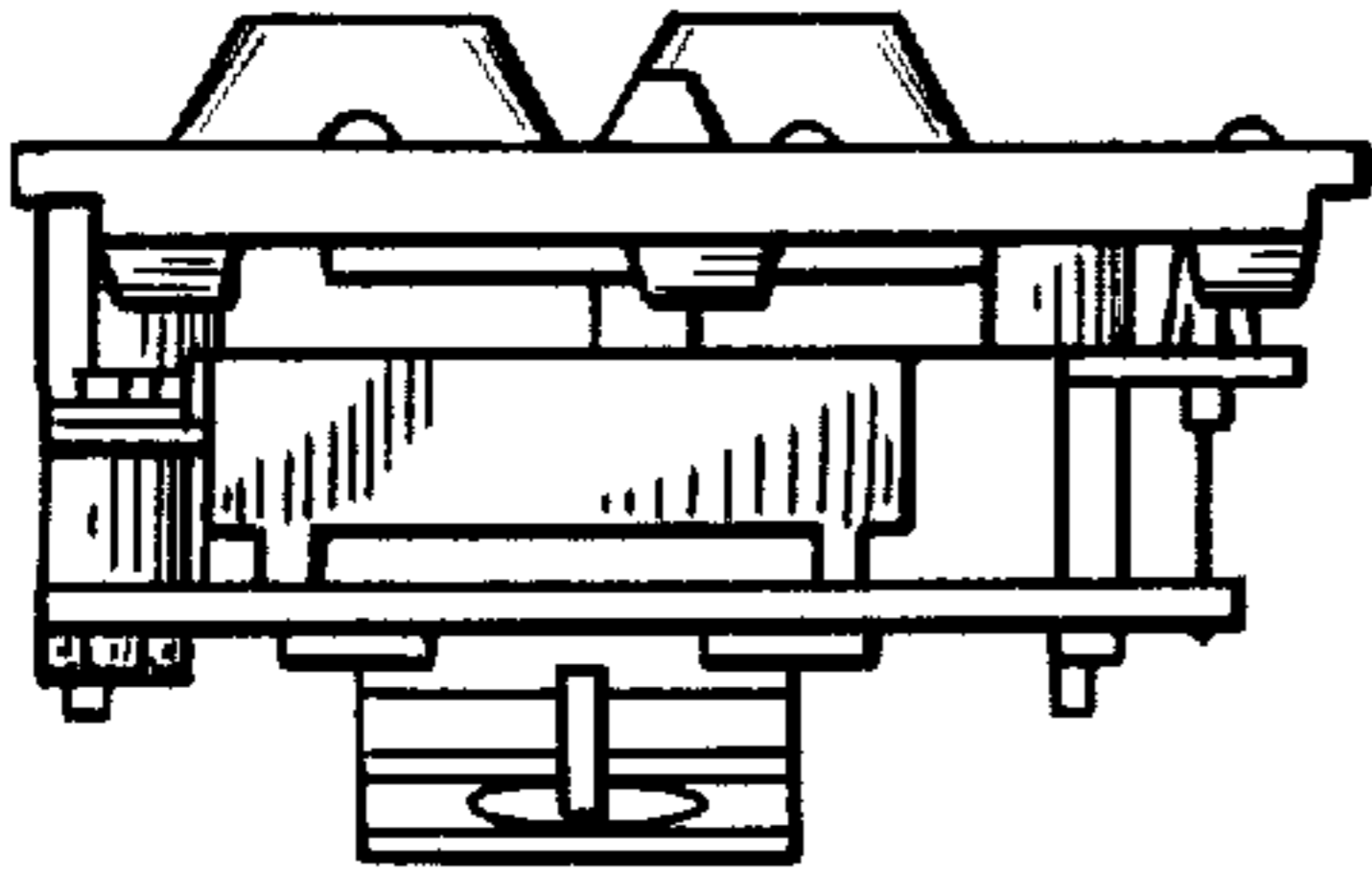


FIG. 3

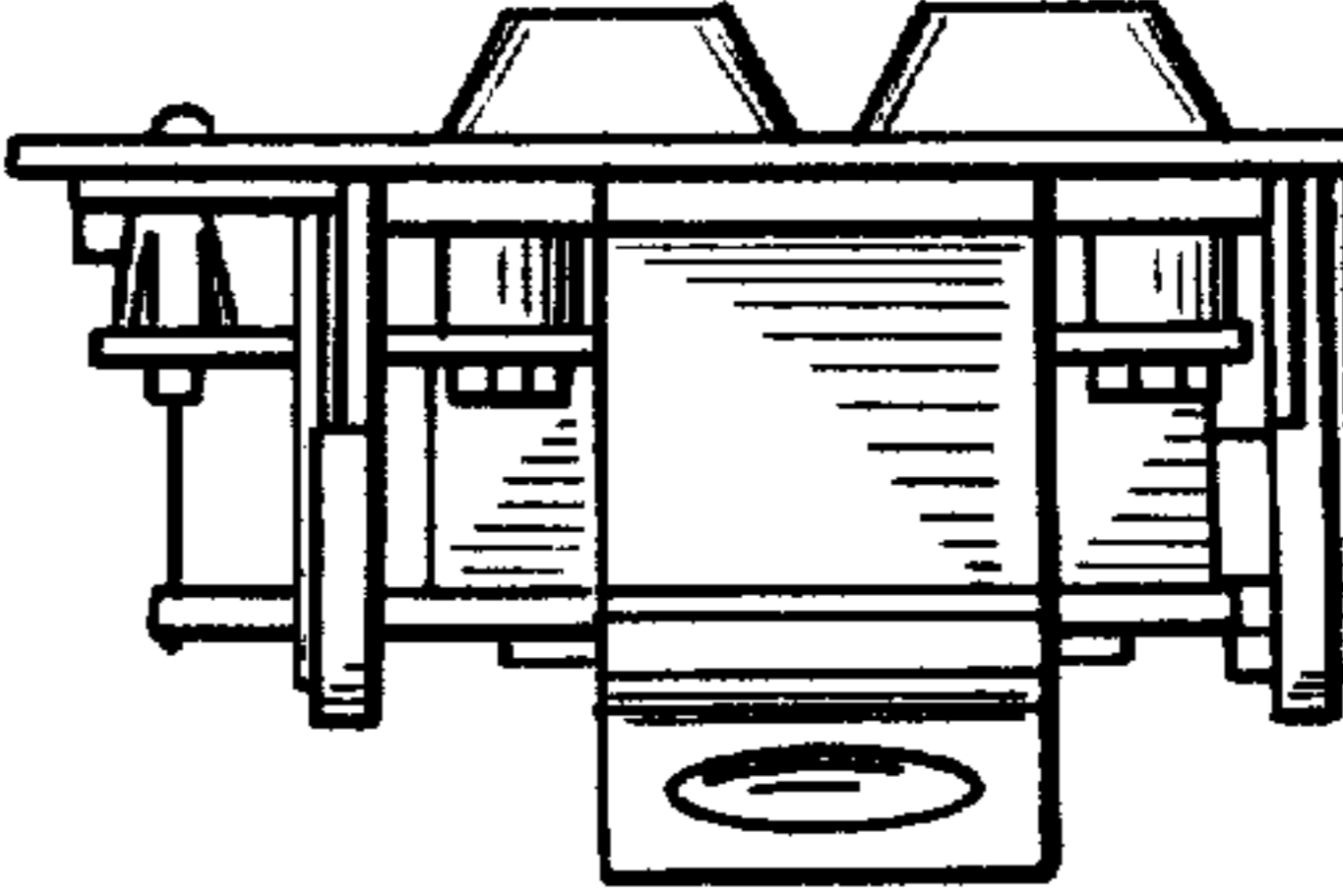


FIG. 5

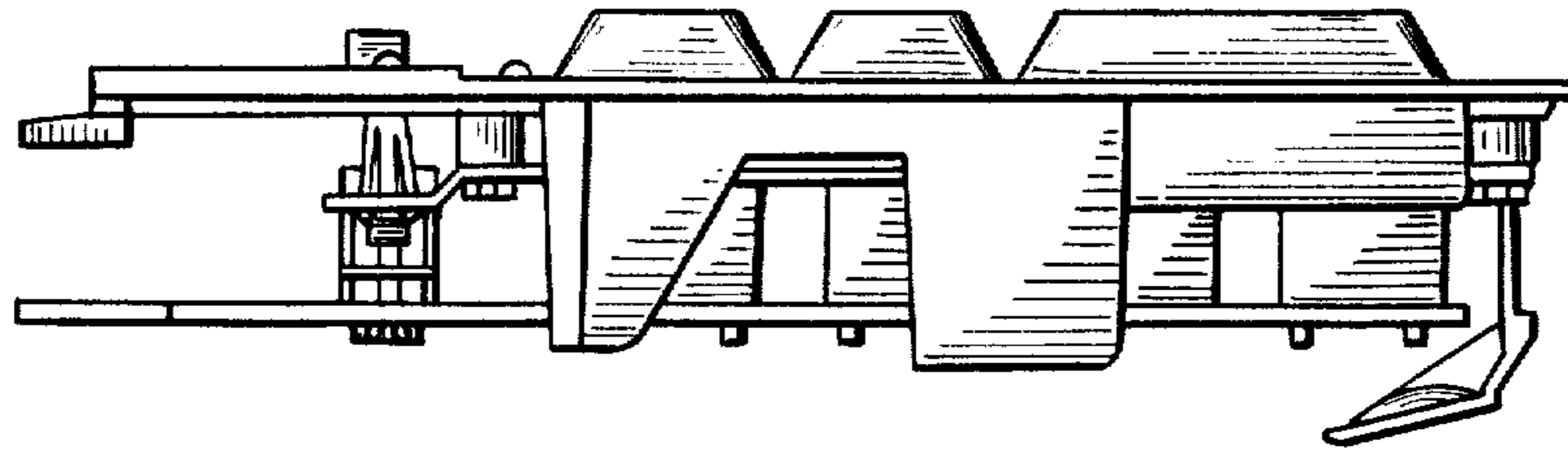


FIG. 6

