

[54] **FILM REPAIR APPARATUS**

[76] Inventors: **James S. Stanfield**, 1044 19th St., Santa Monica, Calif. 90403; **Daniel E. Rodriguez**, 1065 E. Concha St., Altadena, Calif. 91001

[\*\*] Term: **14 Years**

[21] Appl. No.: **87,535**

[22] Filed: **Oct. 23, 1979**

[51] Int. Cl. .... **D16-05**  
[52] U.S. Cl. .... **D16/41**  
[58] Field of Search ..... **D16/41; 156/94, 199, 156/302, 436, 502-509, 543, 552, 554**

[56] **References Cited**  
**U.S. PATENT DOCUMENTS**

3,628,855 12/1971 Harvey ..... 156/504  
3,767,513 10/1973 Gnage et al. .... 156/543

3,959,048 5/1976 Stanfield et al. .... 156/552  
4,026,756 5/1977 Stanfield et al. .... 156/554  
4,096,020 6/1978 Basu et al. .... 156/552  
4,249,985 2/1981 Stanfield et al. .... 156/554

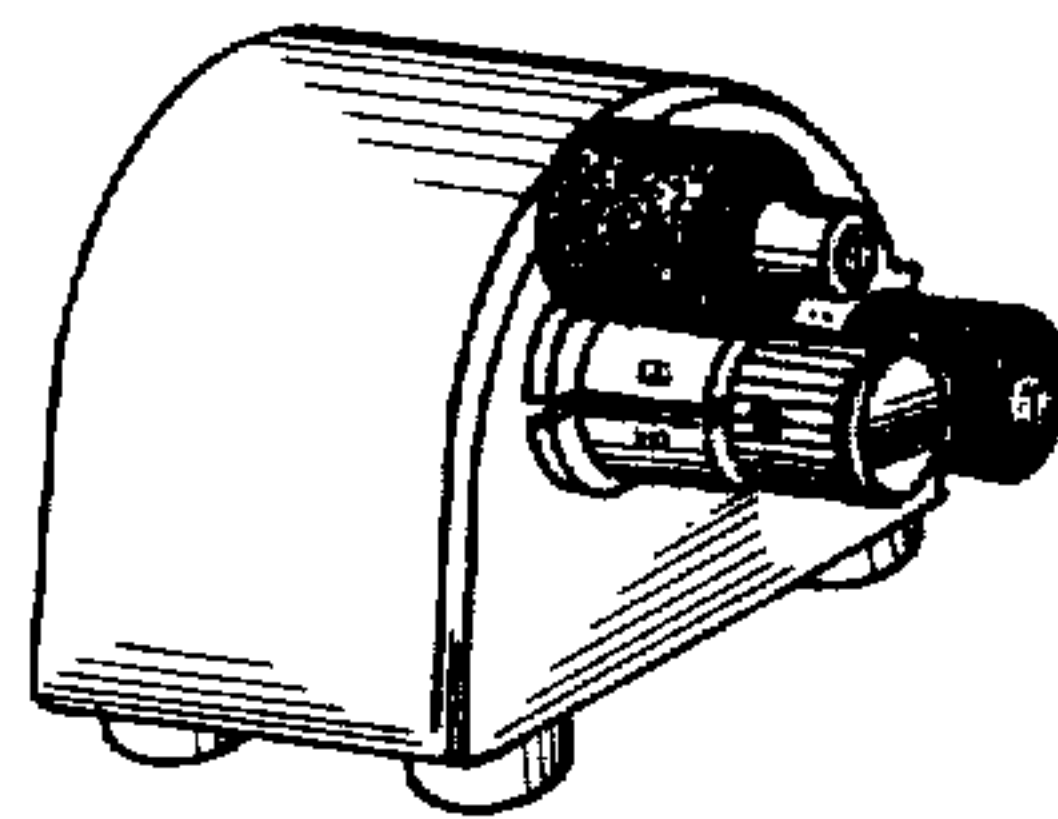
*Primary Examiner*—Peter M. Caun  
*Attorney, Agent, or Firm*—Freilich, Hornbaker, Wasserman, Rosen & Fernandez

[57] **CLAIM**

The ornamental design for film repair apparatus, substantially as shown.

**DESCRIPTION**

FIG. 1 is a front perspective view of film repair apparatus showing our new design;  
FIG. 2 is a plan view of the top thereof with an arm in its second position;  
FIG. 3 is a side perspective view thereof;  
FIG. 4 is a front elevation view thereof with an arm in its second position; and  
FIG. 5 is a rear elevation view thereof.



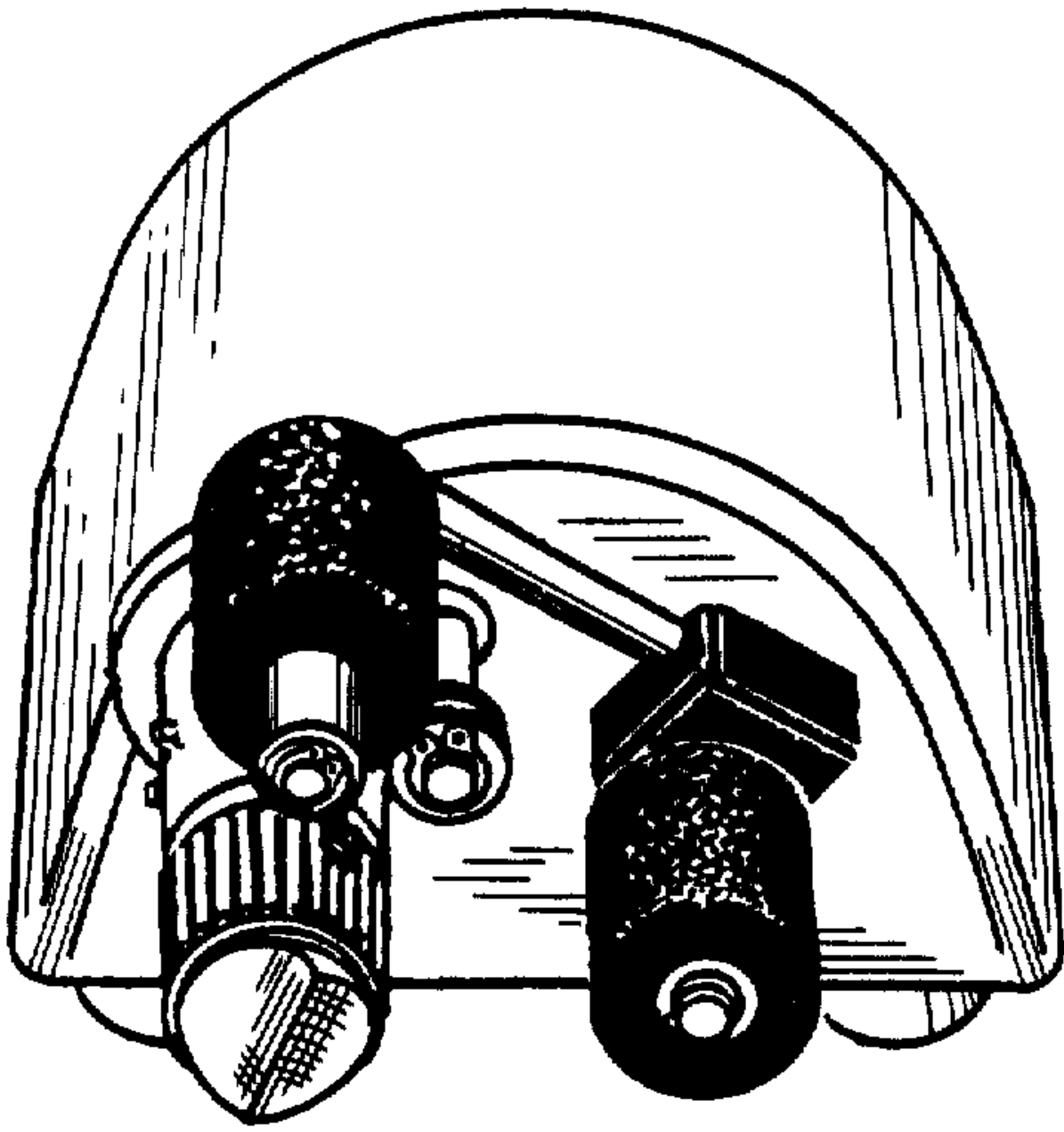


FIG. 1

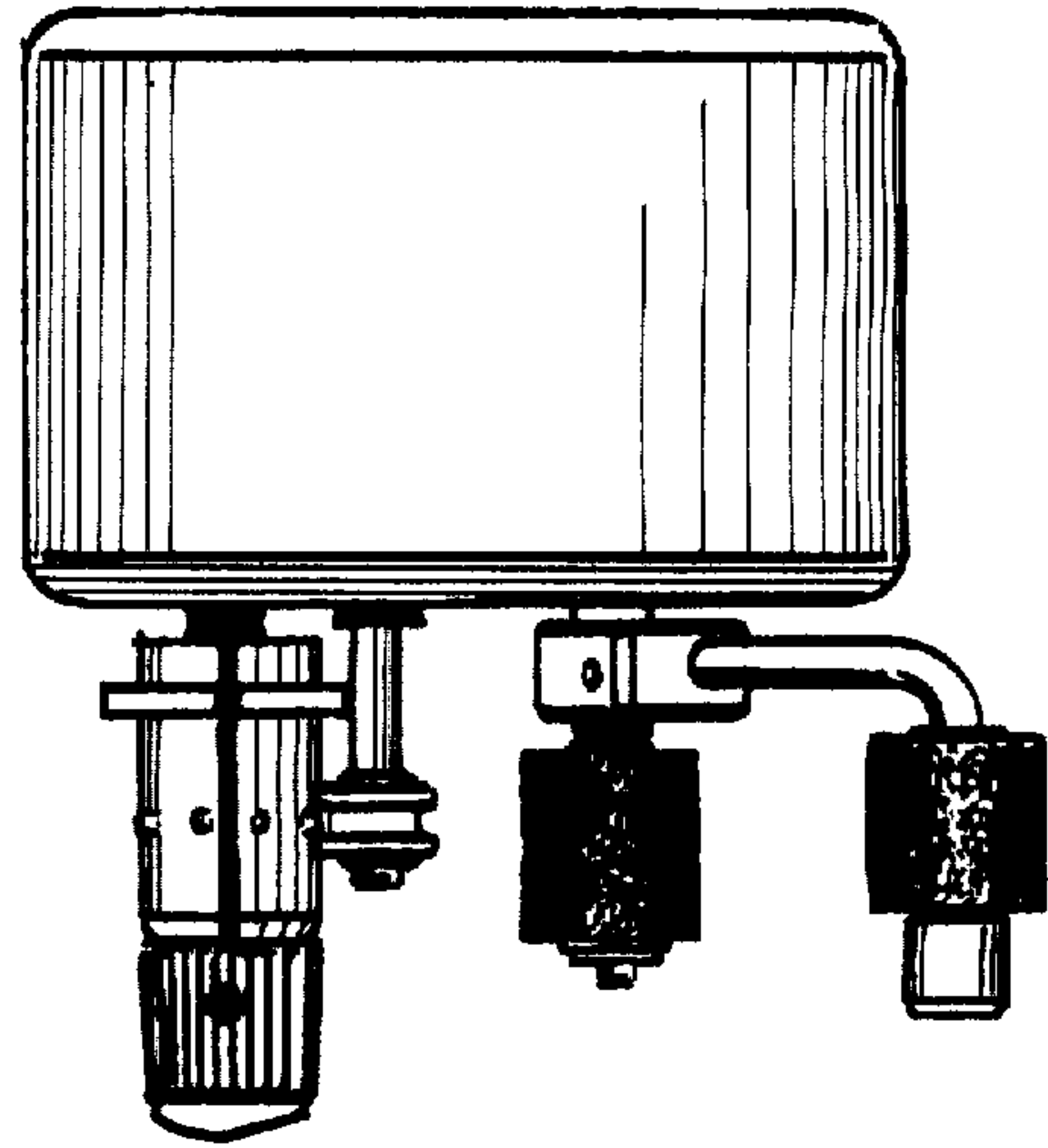


FIG. 2

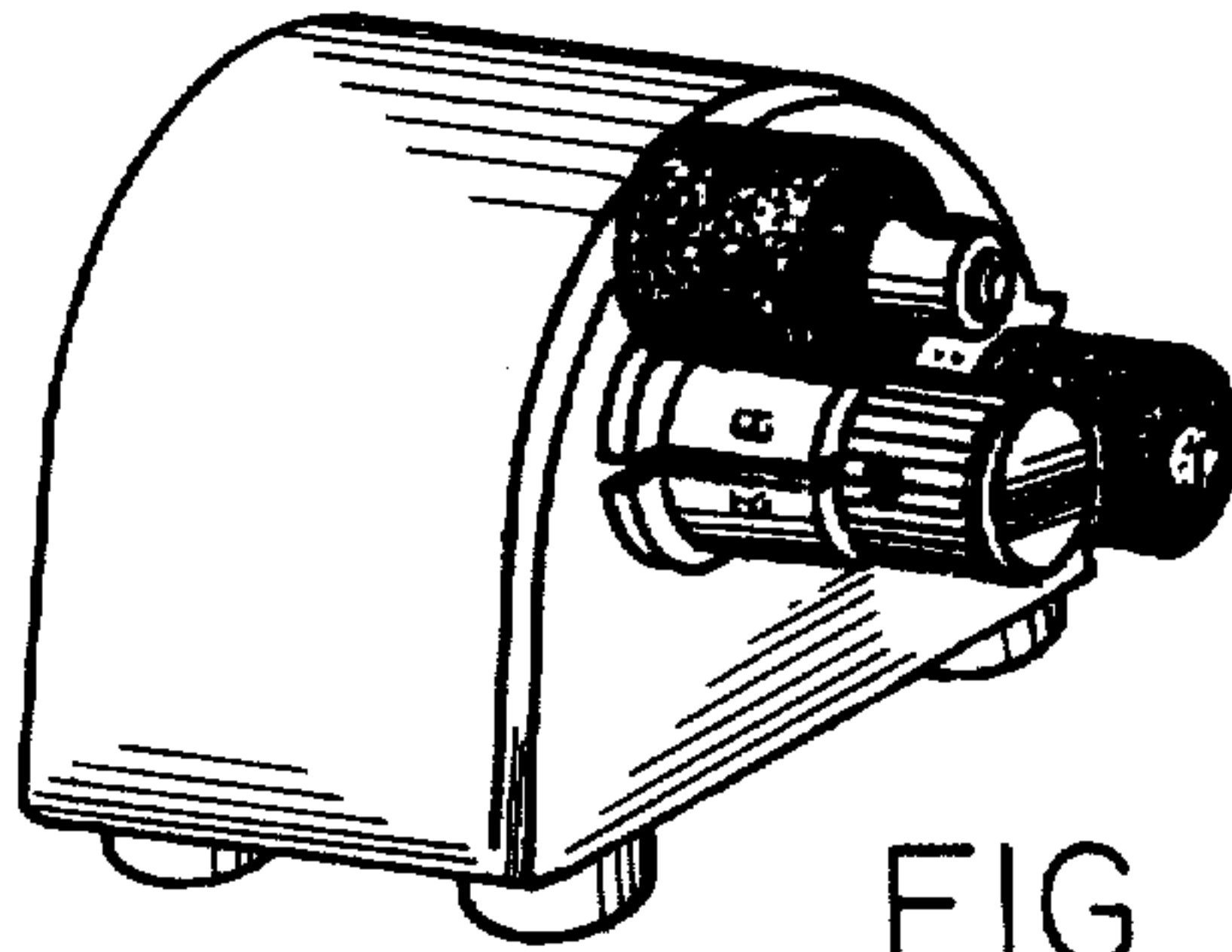


FIG. 3

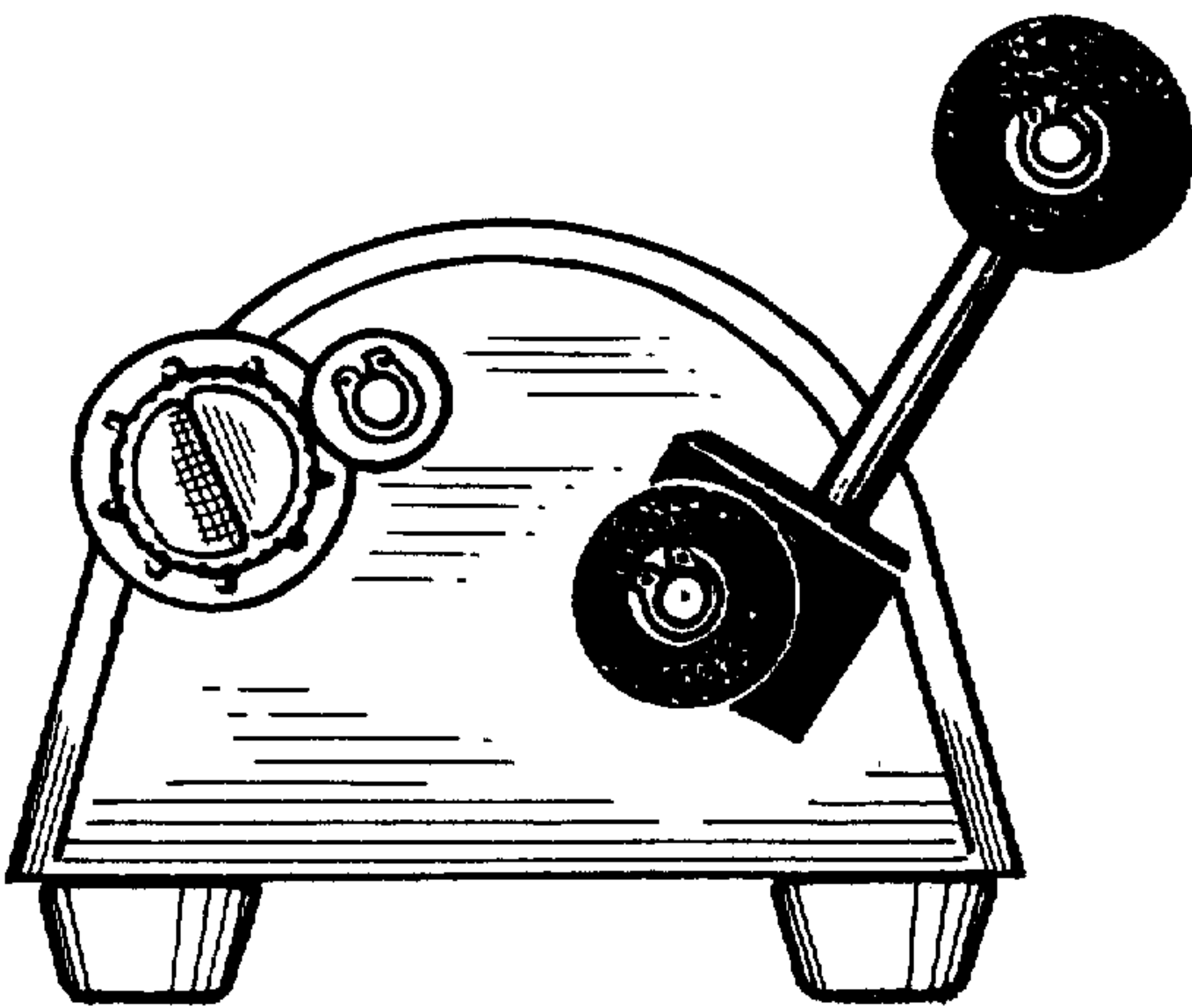


FIG. 4

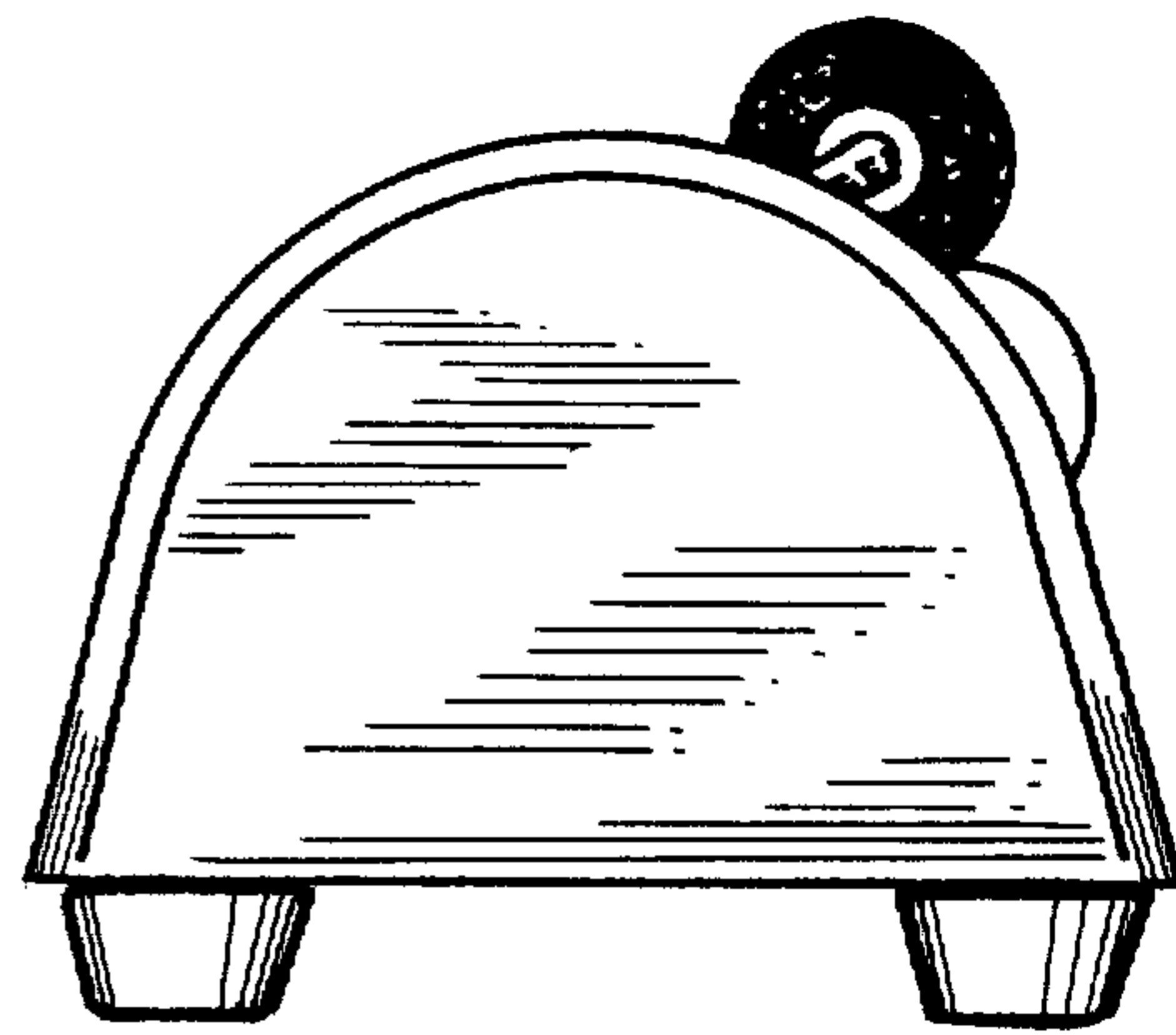


FIG. 5