

[54] **ELECTRIC REFRIGERATOR**

[75] Inventor: **Naoya Kawakami, Yono, Japan**
[73] Assignee: **Sawafuji Electric Co., Ltd., Japan**
[**] Term: **14 Years**

[21] Appl. No.: **125,835**

[22] Filed: **Feb. 29, 1980**

[30] **Foreign Application Priority Data**

Sep. 11, 1979 [JP] Japan 54-38415

[51] Int. Cl. **D15-07**

[52] U.S. Cl. **D15/88**

[58] Field of Search **D15/88, 81; 62/440,
62/457; 312/236**

[56] **References Cited**

U.S. PATENT DOCUMENTS

D. 253,536 11/1979 Shibata et al. D15/88

Primary Examiner—James M. Gandy
Attorney, Agent, or Firm—McGlew and Tuttle

[57] **CLAIM**

The ornamental design for an electric refrigerator, as shown and described.

DESCRIPTION

FIG. 1 is a perspective view of an electric refrigerator showing my new design with the door in closed condition;

FIG. 2 is a perspective view thereof with the door in open condition;

FIG. 3 is a front elevational view thereof;

FIG. 4 is a right side elevational view thereof;

FIG. 5 is a rear elevational view thereof;

FIG. 6 is a left side elevational view thereof;

FIG. 7 is a top plan view thereof; and

FIG. 8 is a bottom plan view thereof.

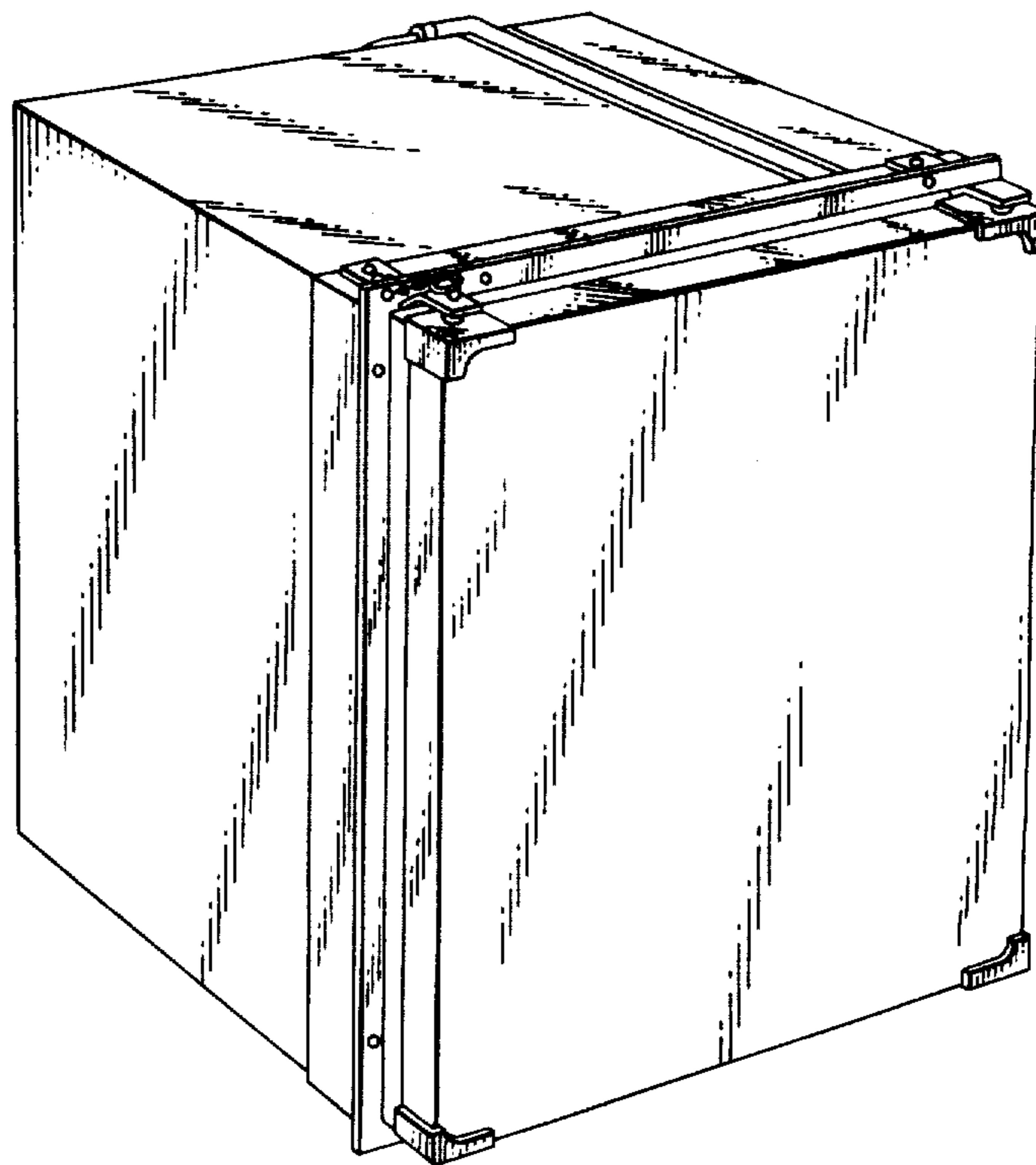


FIG. 1

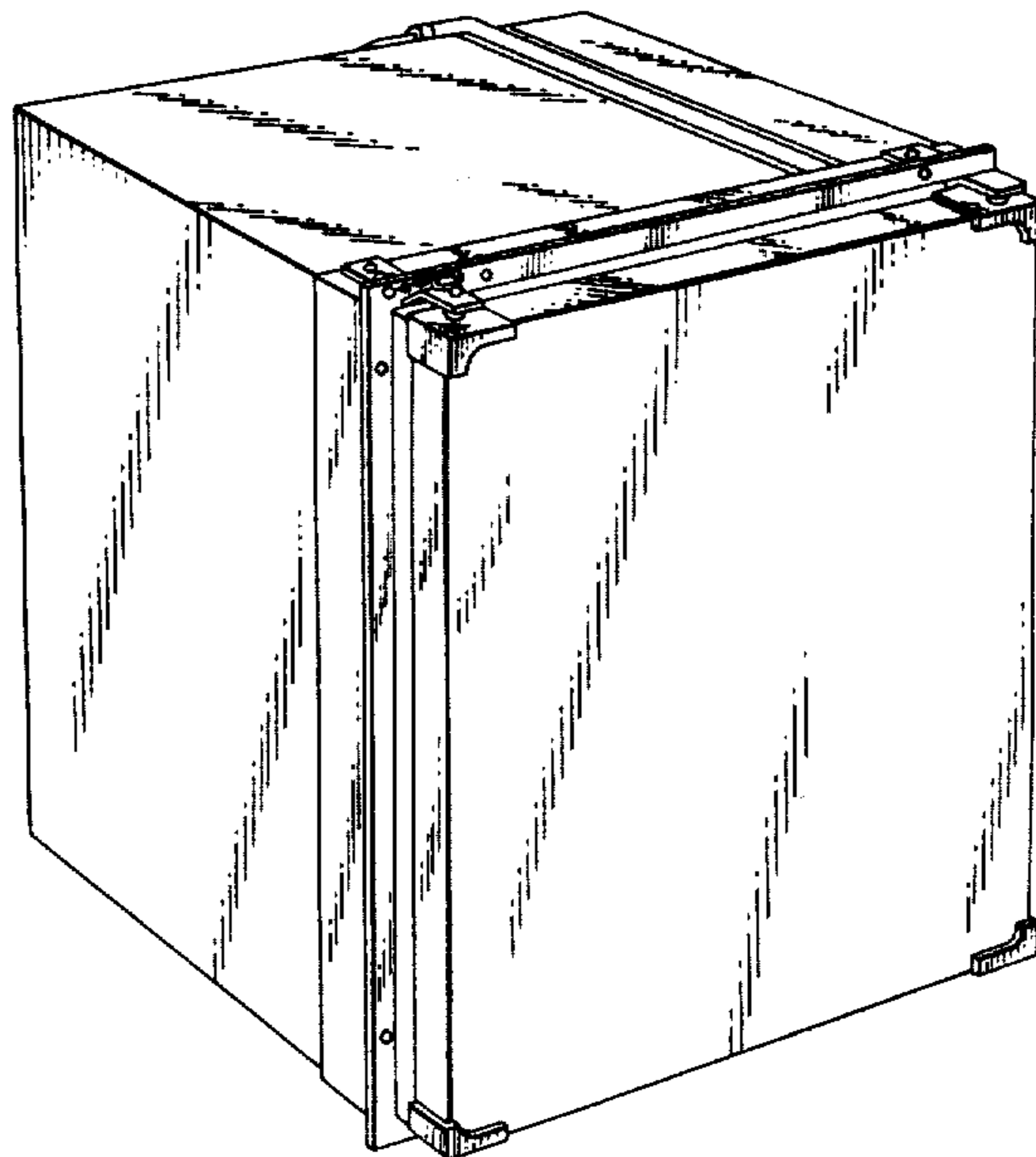


FIG. 2

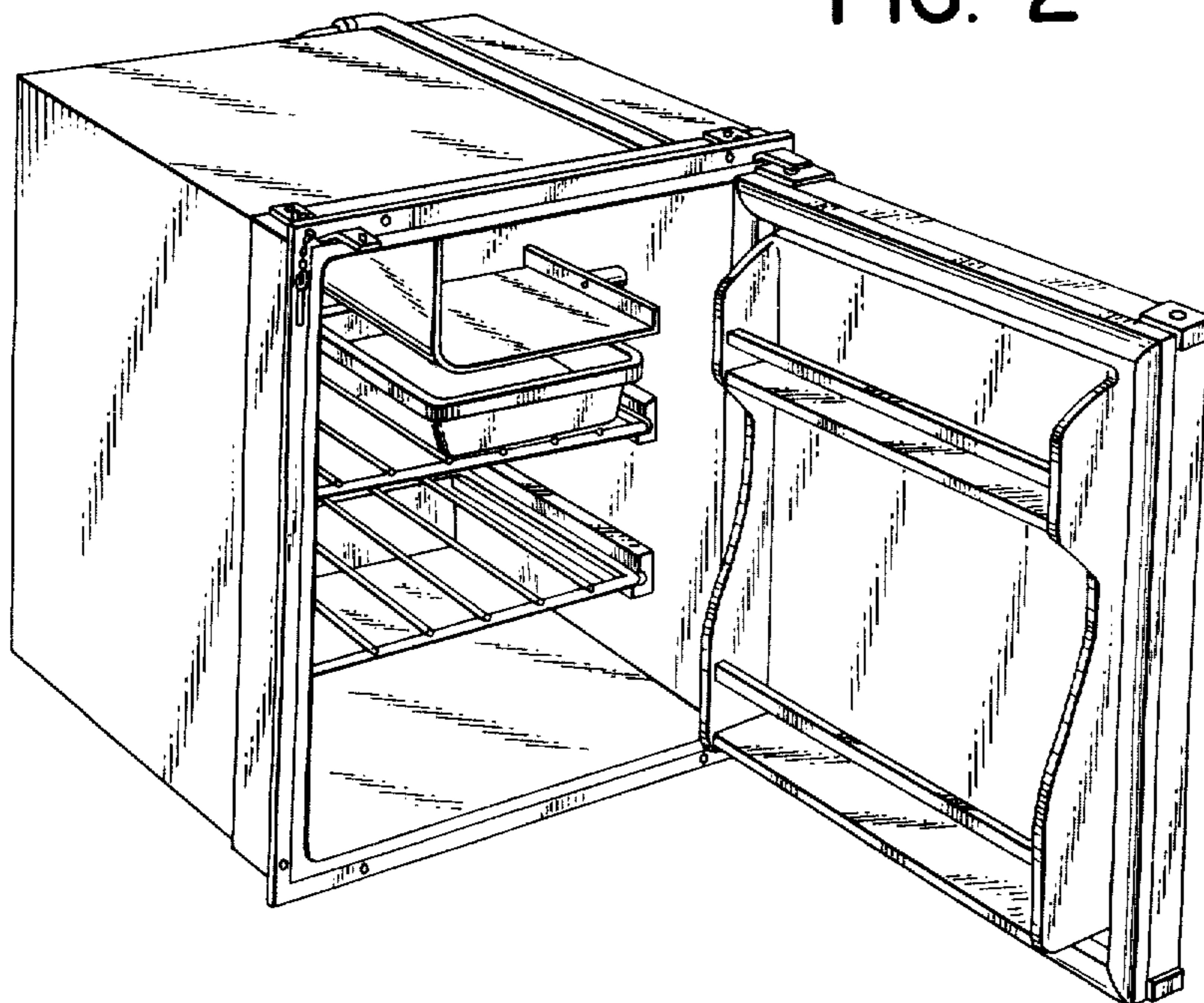


FIG. 3

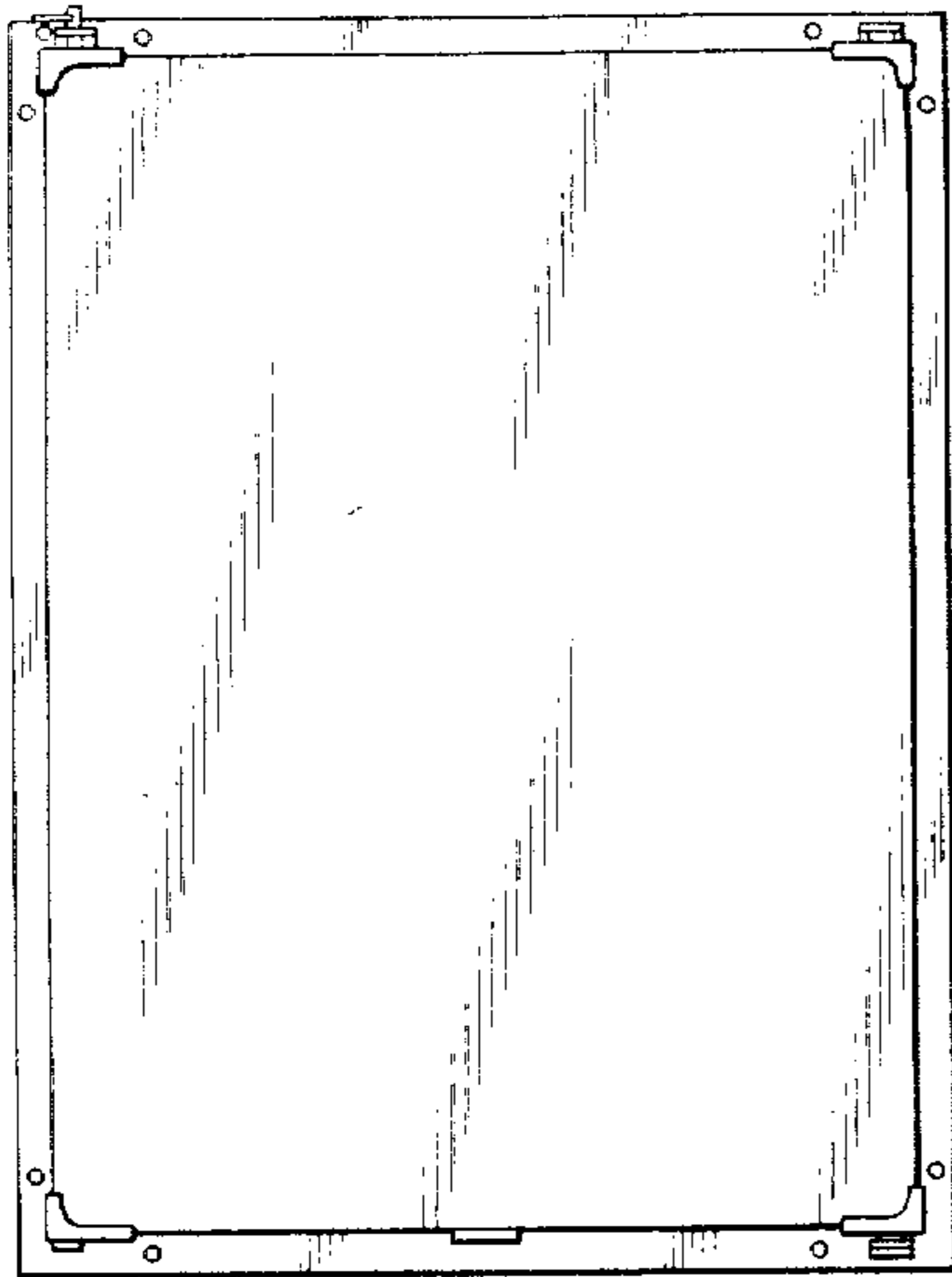


FIG. 4

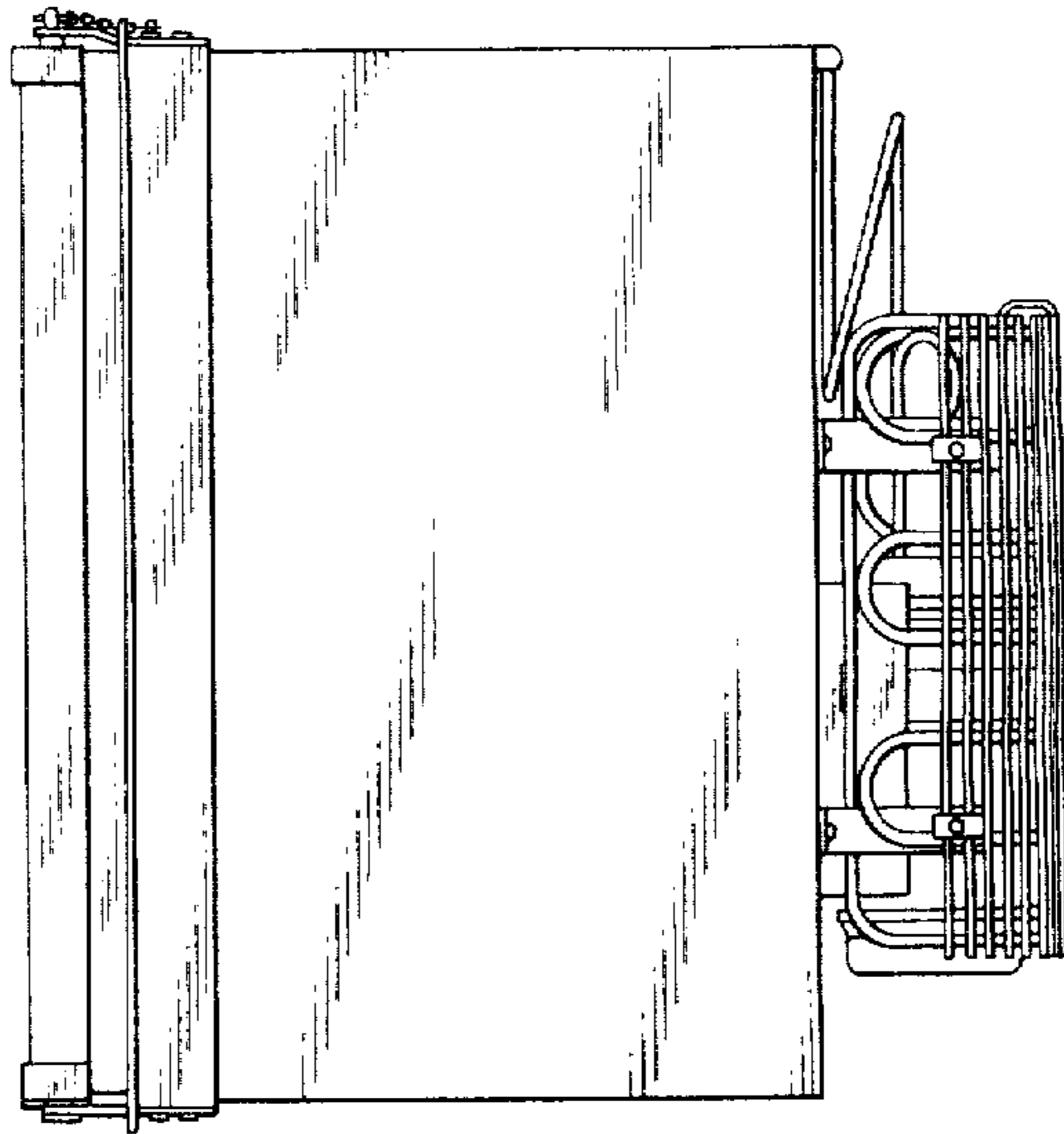


FIG. 5

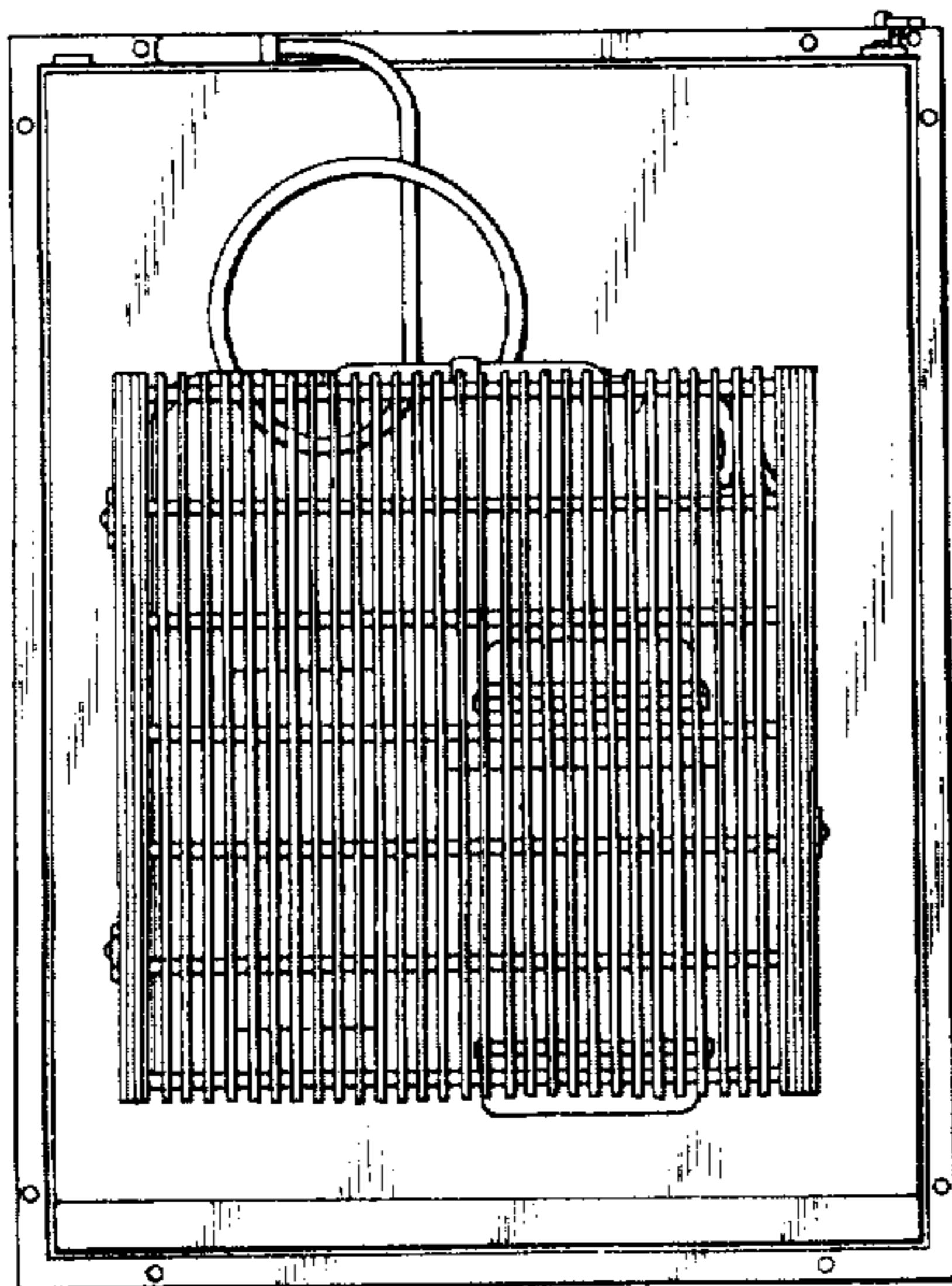


FIG. 6

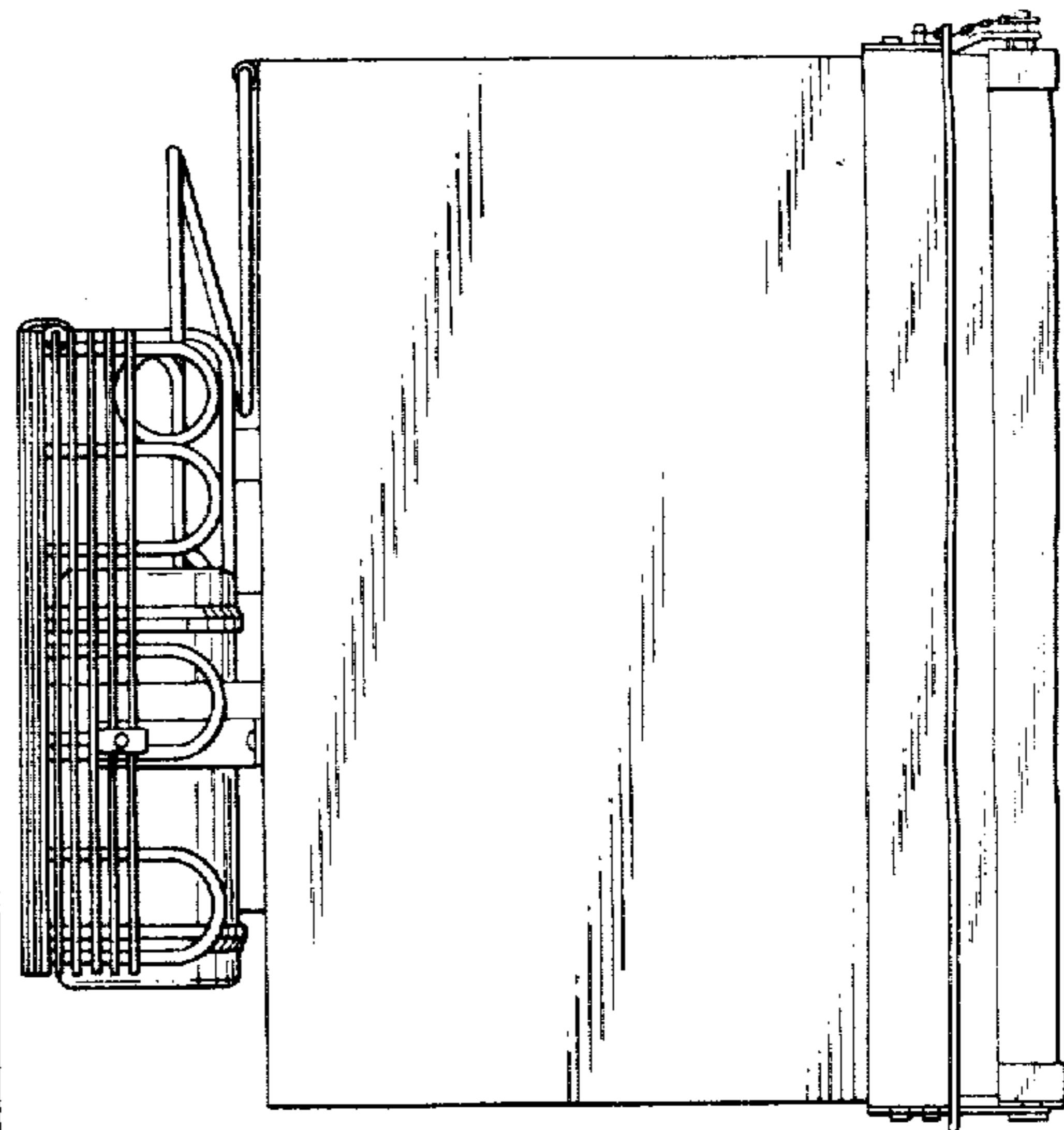


FIG. 7

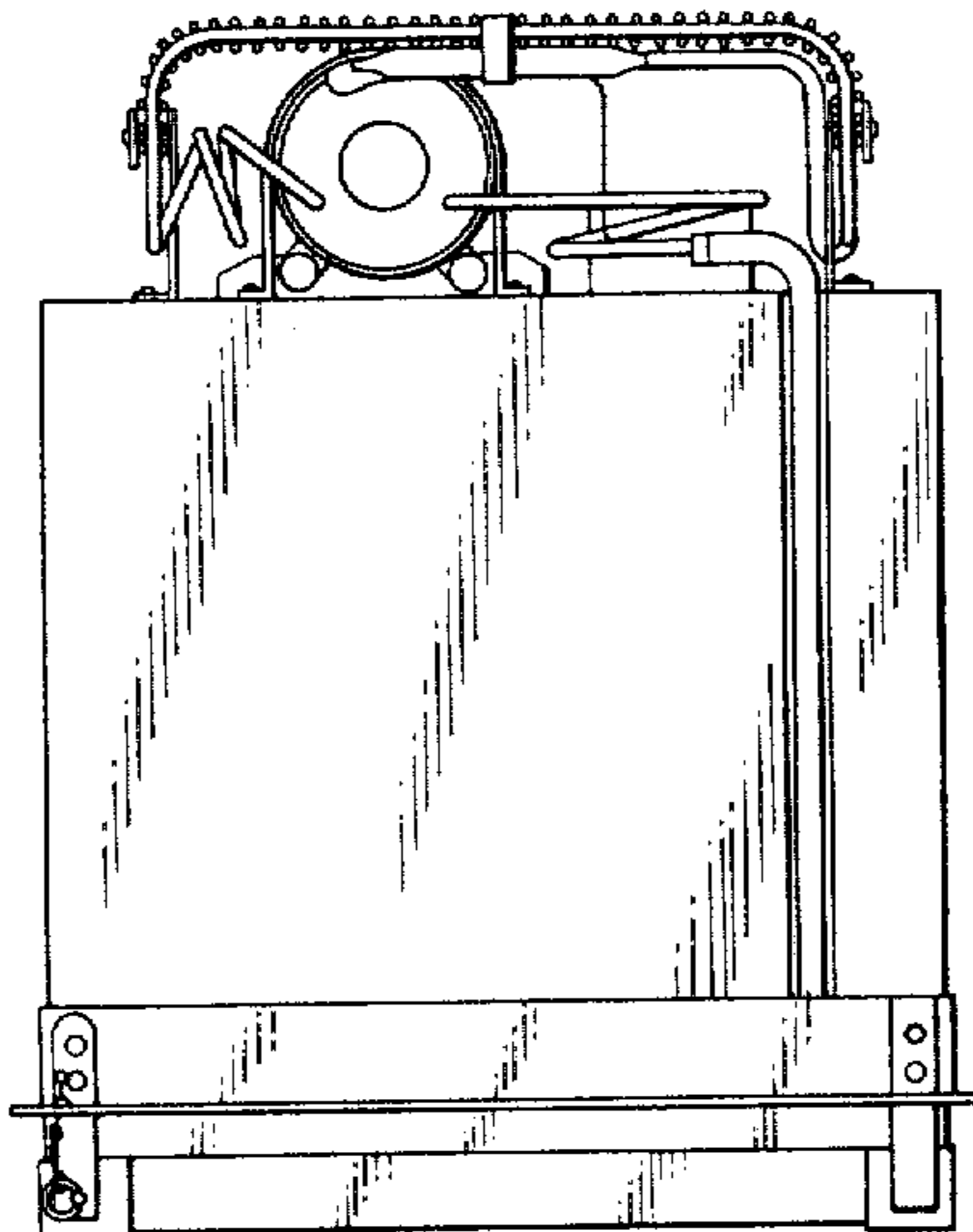


FIG. 8

