

[54] **CONTROLLER FOR COMPUTER PRINTING SYSTEM**

[75] Inventors: Masahiro Kando, Tokyo; Yoshinori Sugiura, Kawasaki, both of Japan

[73] Assignee: Canon Kabushiki Kaisha, Tokyo, Japan

[**] Term: 14 Years

[21] Appl. No.: 115,007

[22] Filed: Jan. 24, 1980

[30] **Foreign Application Priority Data**

Jul. 30, 1979 [JP] Japan 54-31987

[51] Int. Cl. D14-02

[52] U.S. Cl. D14/107

[58] Field of Search D14/40-50; D13/40, 8; 364/900, 101, 102; 235/375, 379, 380; 400/62, 70, 71, 76

[56] **References Cited**

U.S. PATENT DOCUMENTS

D. 196,646 10/1963 Graser D14/46
D. 231,935 6/1974 Davis et al. D14/40

D. 238,078 12/1975 Wilson D14/40
4,084,680 4/1978 Deetz 364/900 X

Primary Examiner—Susan J. Lucas
Attorney, Agent, or Firm—Fitzpatrick, Cella, Harper & Scinto

[57] **CLAIM**

The ornamental design for a controller for computer printing system, as shown and described.

DESCRIPTION

FIG. 1 is a front view of the controller for computer printing system;
FIG. 2 is a rear view thereof;
FIG. 3 is a top plan view thereof;
FIG. 4 is a bottom plan view thereof;
FIG. 5 is a side elevational view as seen from the left of FIG. 1;
FIG. 6 is a side elevational view as seen from the right of FIG. 1;
FIG. 7 is a cross-sectional view of the housing taken on line 7—7 of FIG. 1;
FIG. 8 is a cross-sectional view of the housing taken on line 8—8 of FIG. 1; and
FIG. 9 is a perspective view of the controller for computer printing system.

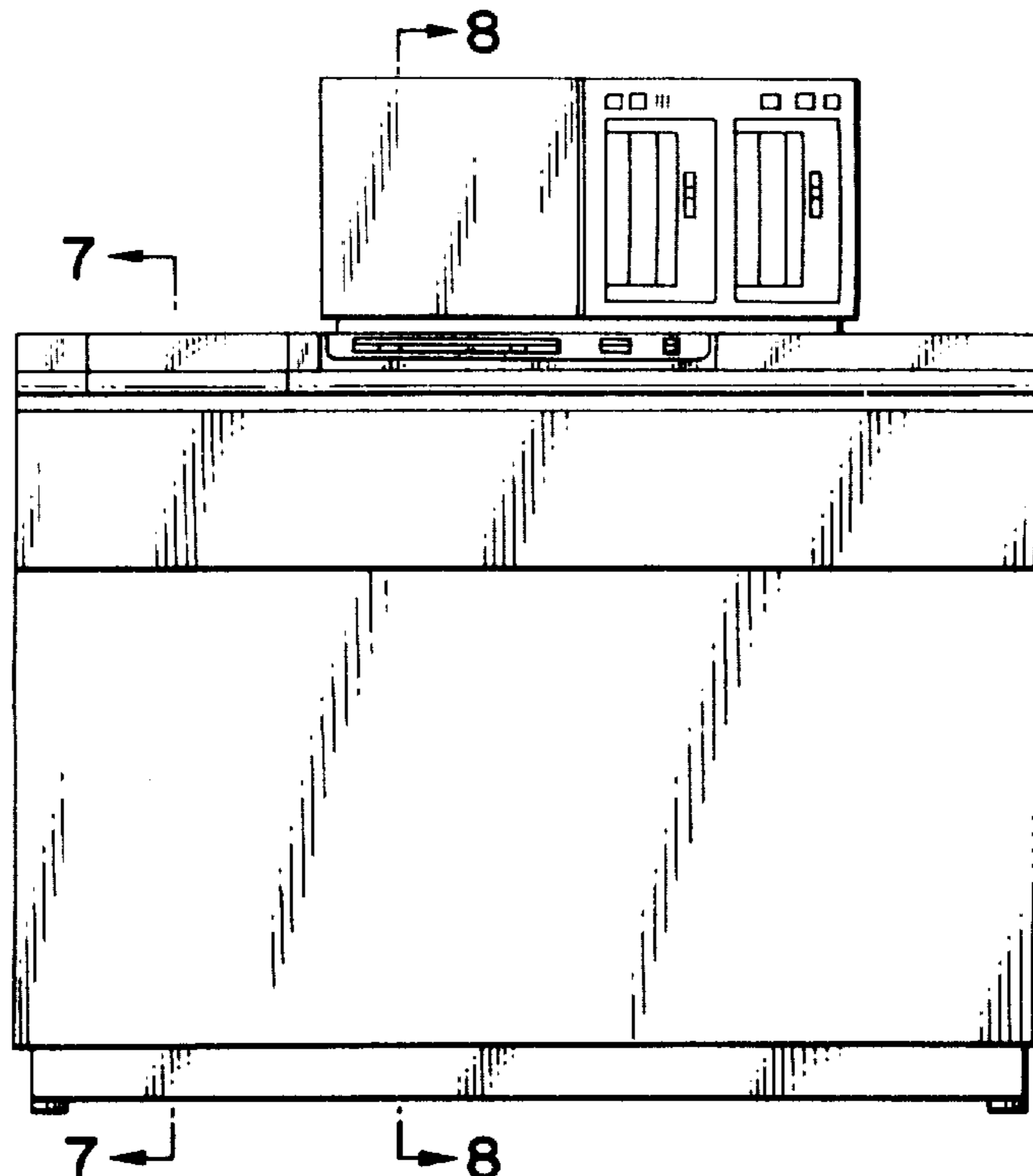


FIG. 1

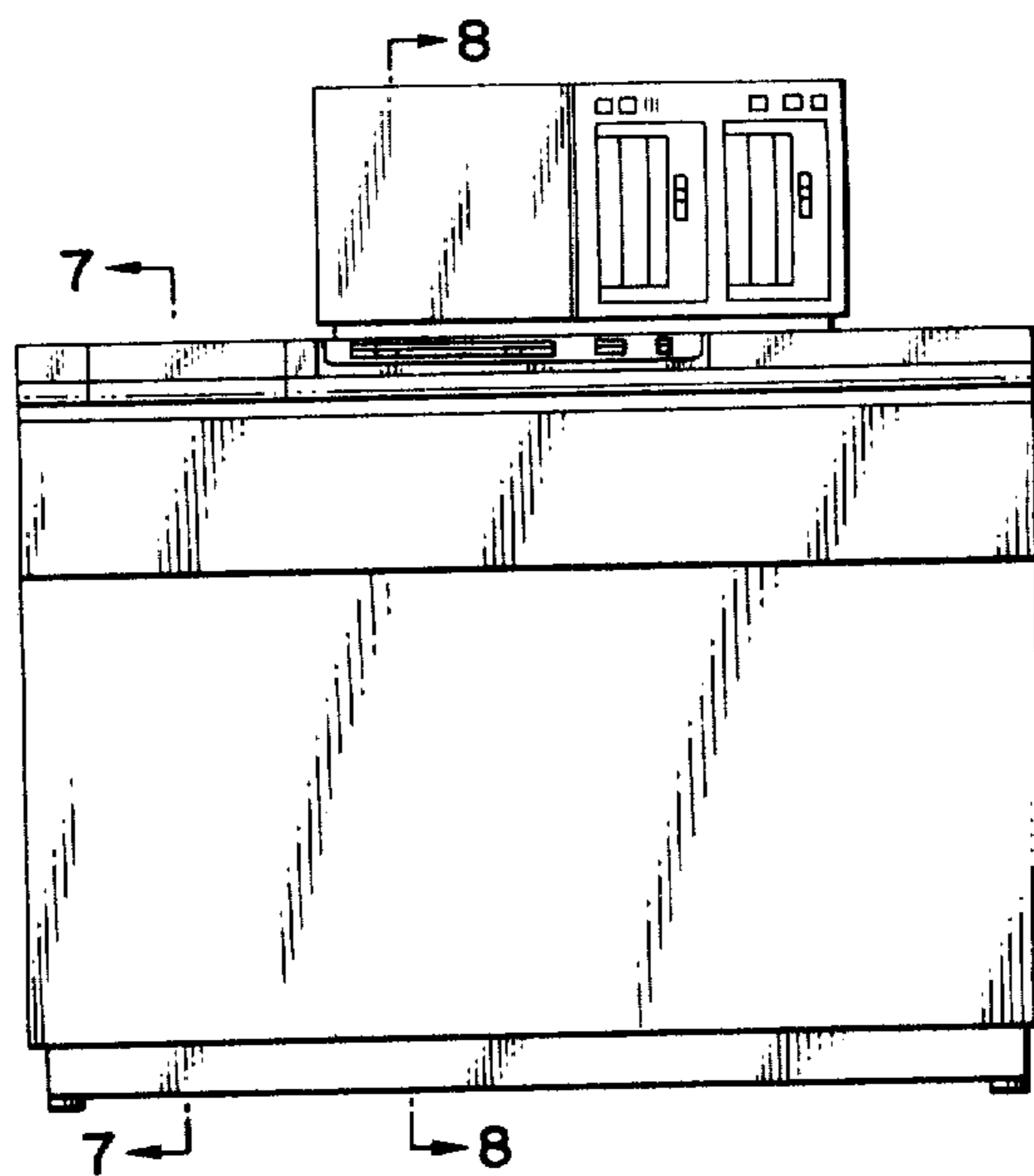


FIG. 2

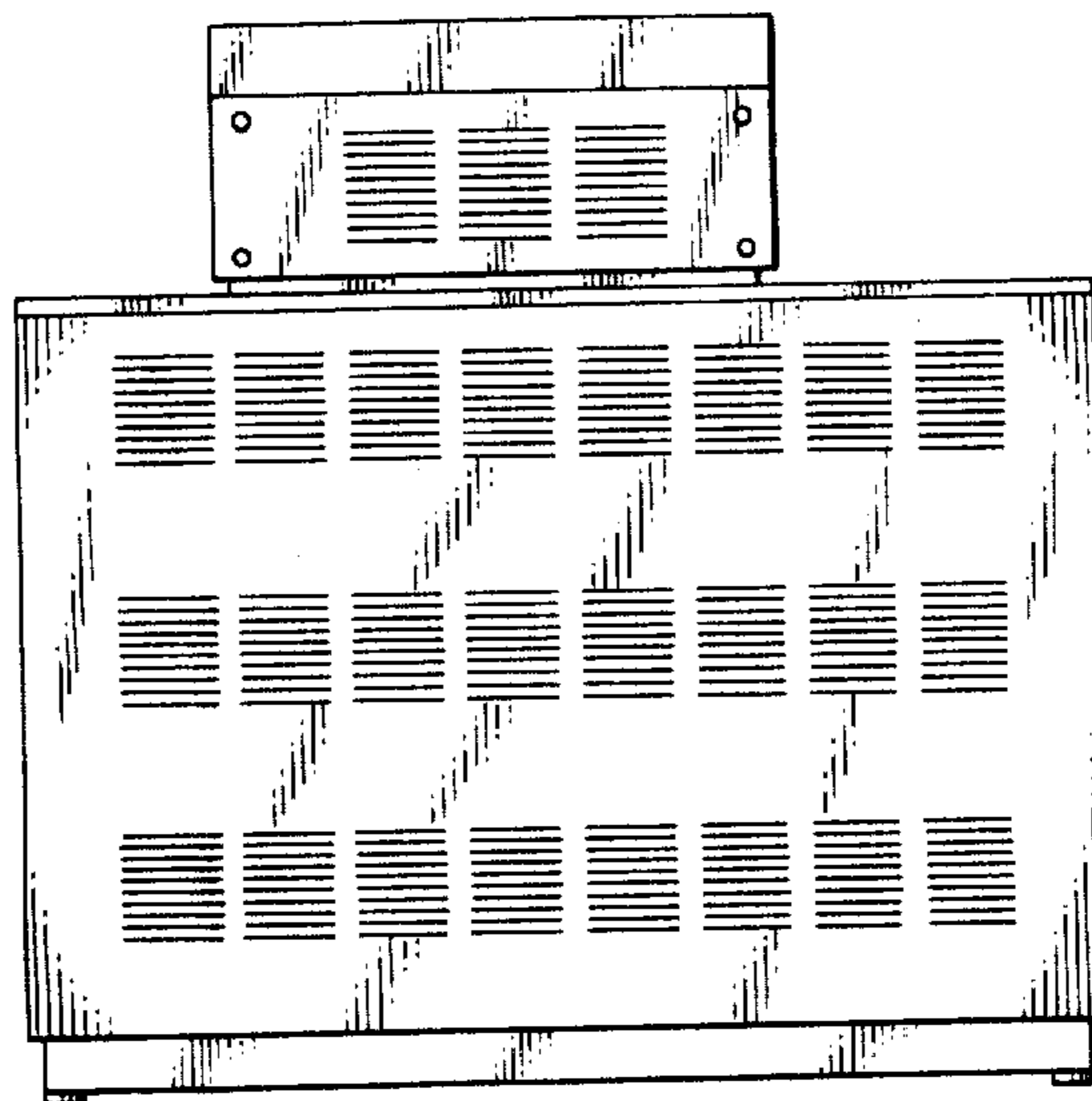


FIG. 3

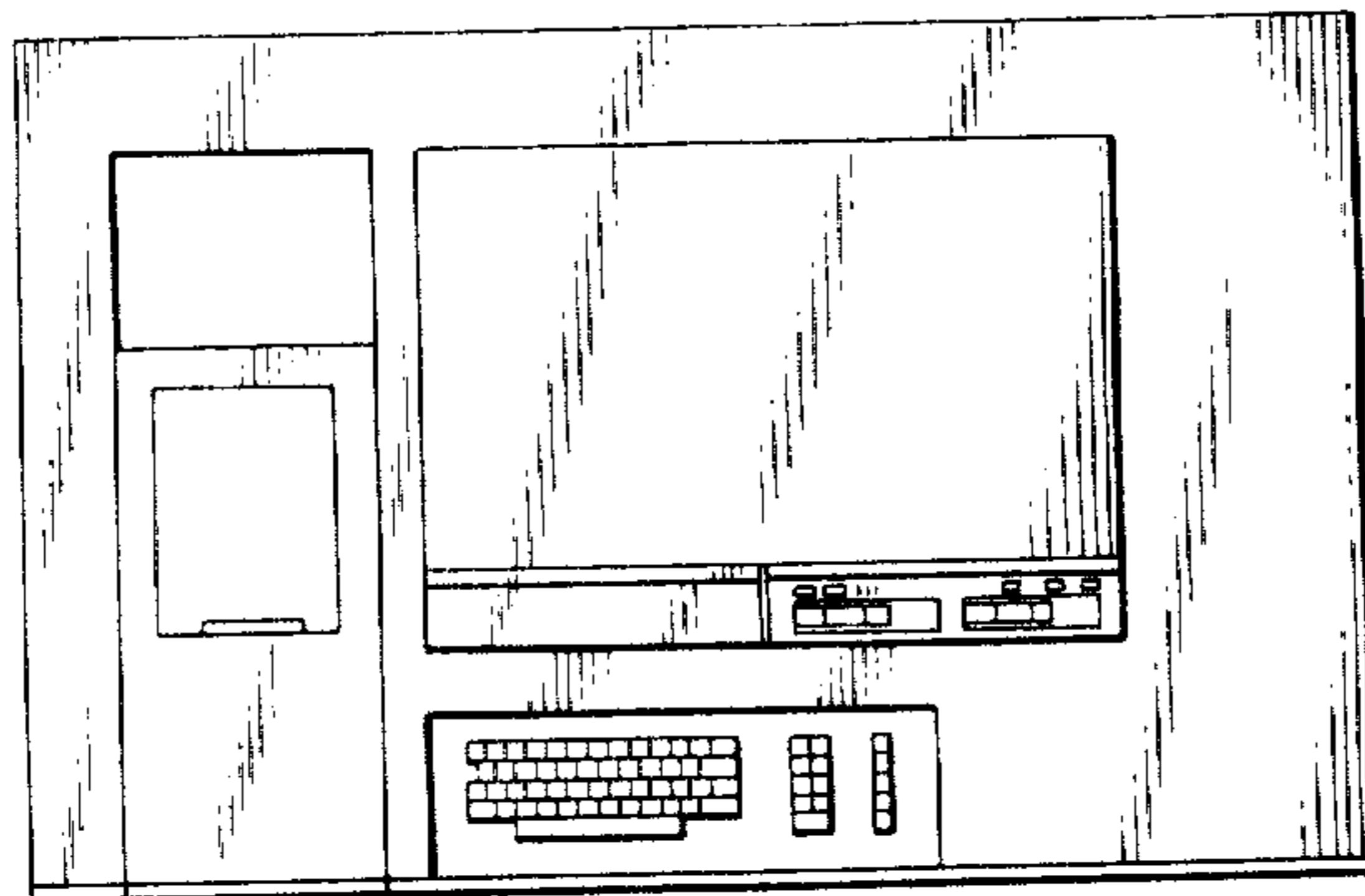


FIG. 4

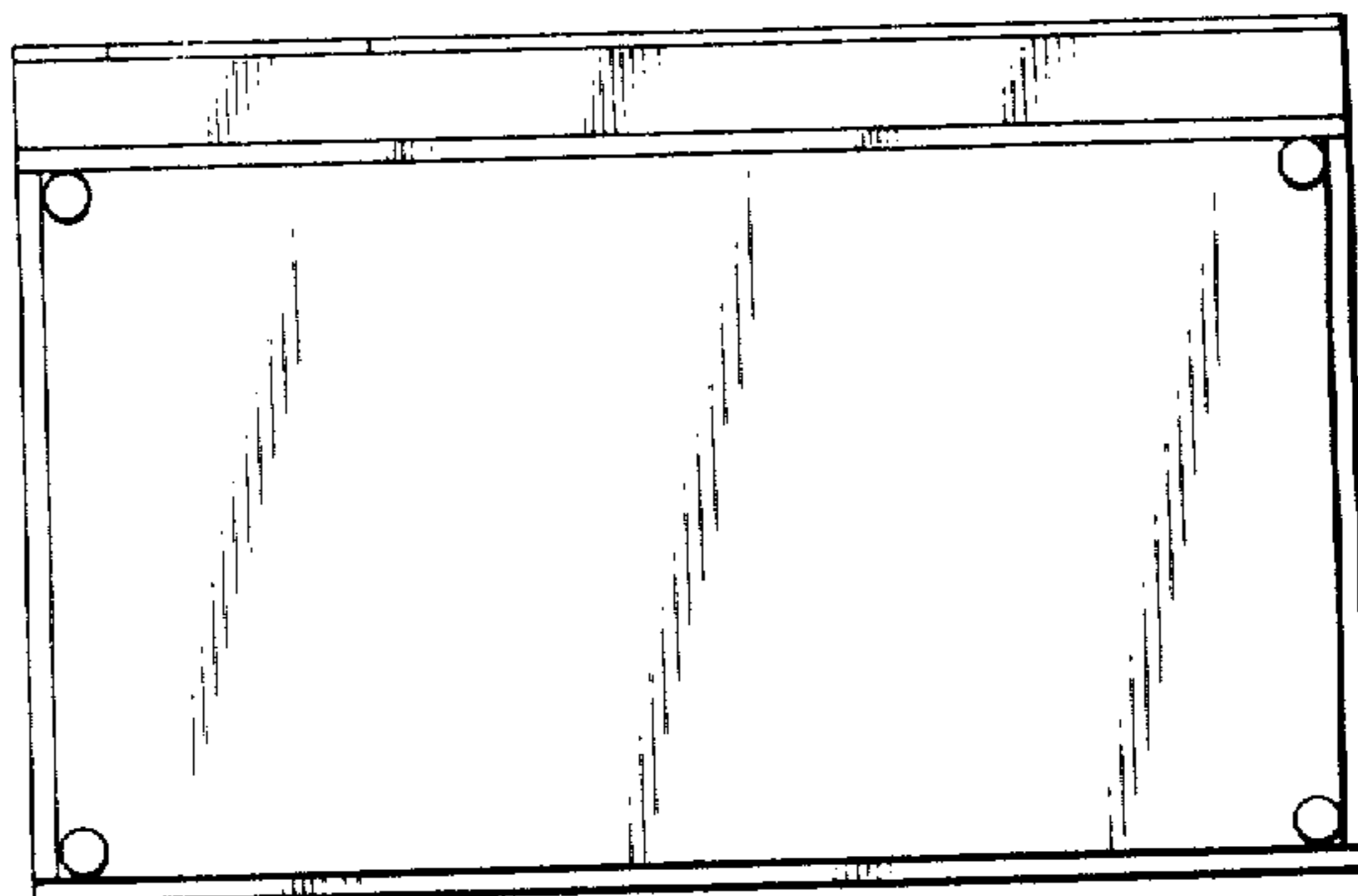


FIG. 5

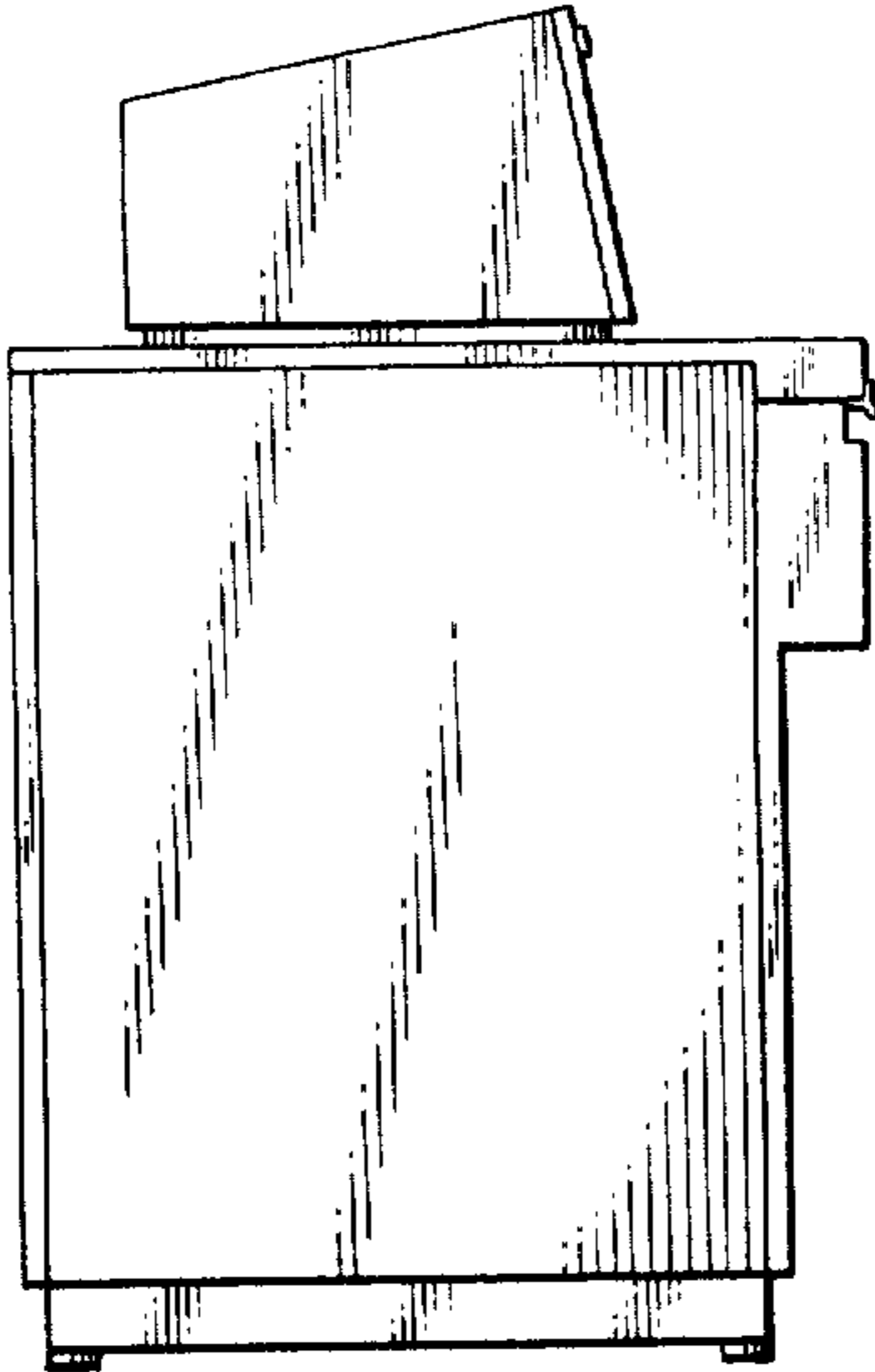


FIG. 6

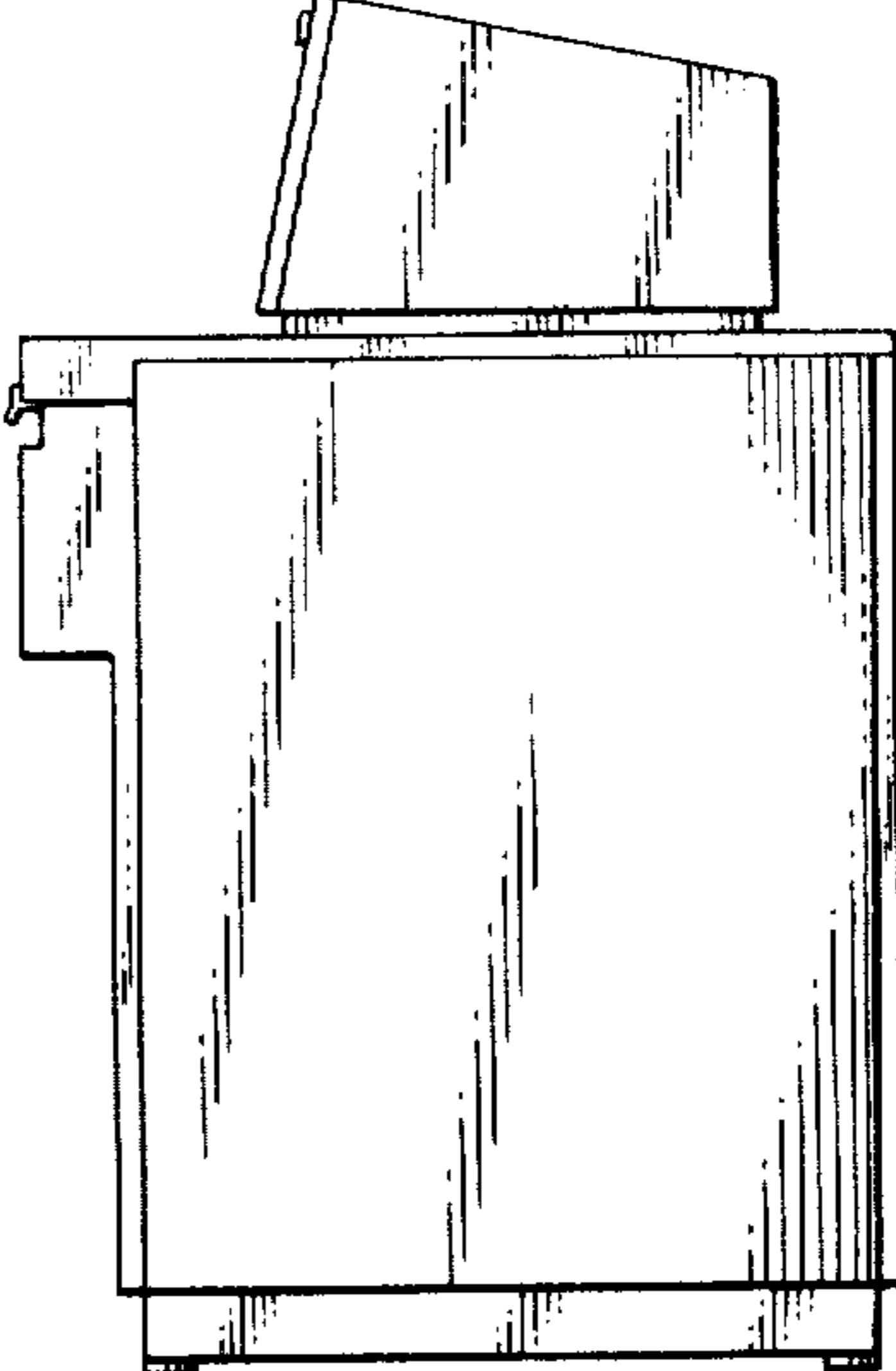


FIG. 7

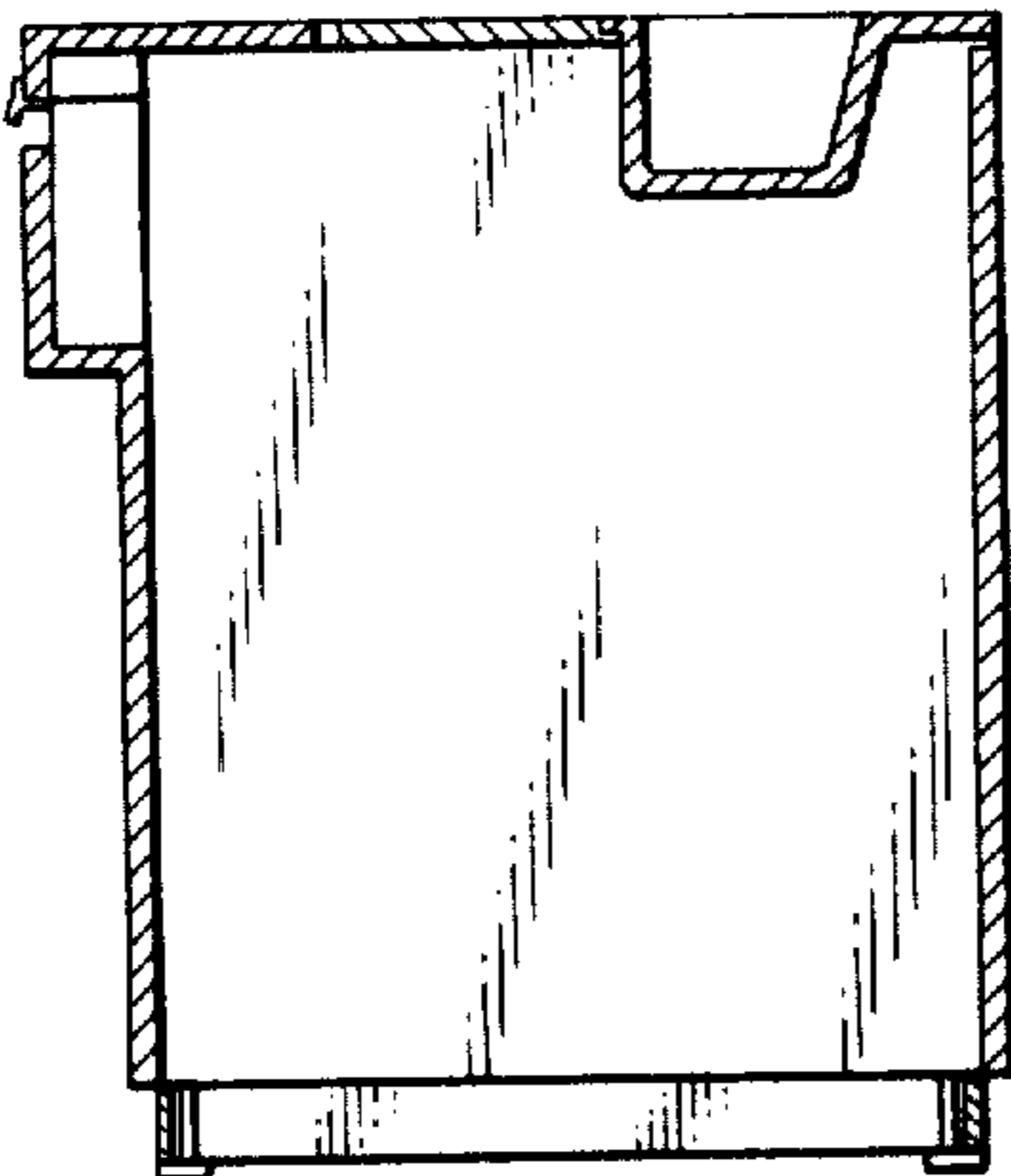


FIG. 8

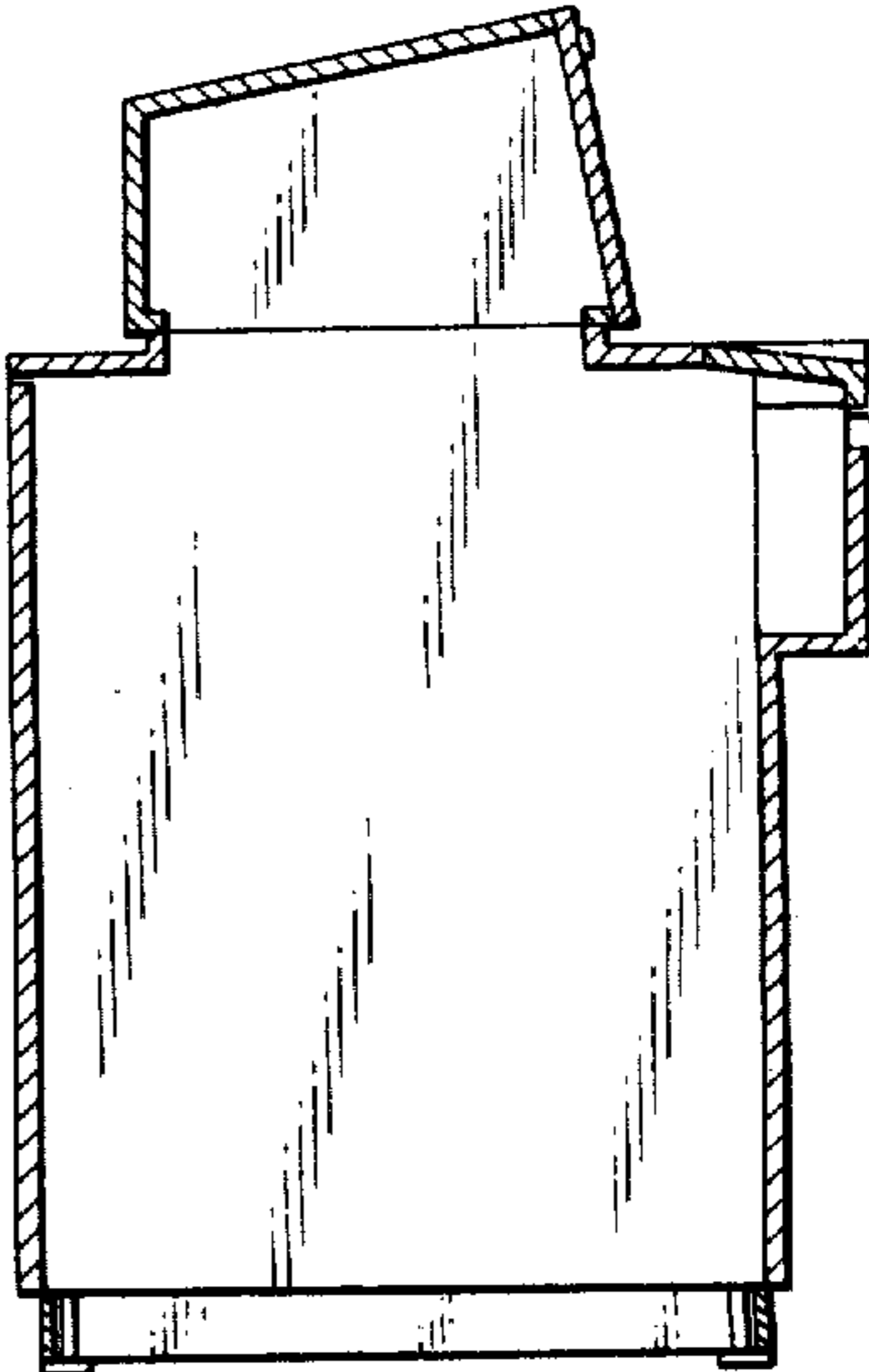


FIG. 9

