

[54] ACOUSTIC COUPLER

[75] Inventors: Takashi Hirata; Kunio Hirose, both of Yokohama, Japan

[73] Assignee: Canon Kabushiki Kaisha, Tokyo, Japan

[**] Term: 14 Years

[21] Appl. No.: 82,910

[22] Filed: Oct. 9, 1979

[30] Foreign Application Priority Data

Apr. 9, 1979 [JP] Japan 54-14364

[51] Int. Cl. D14-03

[52] U.S. Cl. D14/57; D14/101

[58] Field of Search D14/11, 101, 57, 45; 179/1 C

[56] References Cited

U.S. PATENT DOCUMENTS

D. 212,692 11/1968 Plantholt D14/57

D. 219,454 12/1970 Silten D14/57
D. 220,269 3/1971 Jacobs et al. D14/57
D. 255,235 6/1980 Kepford D14/57 X
3,426,150 2/1969 Tygart 179/1 C

Primary Examiner—Bernard Ansher
Attorney, Agent, or Firm—Fitzpatrick, Cella, Harper & Scinto

[57] CLAIM

The ornamental design for an acoustic coupler, as shown and described.

DESCRIPTION

FIG. 1 is a front view of an acoustic coupler; showing my new design;
FIG. 2 is a rear view thereof;
FIG. 3 is a top plan view thereof;
FIG. 4 is a bottom plan view thereof;
FIG. 5 is a side elevational view as seen from the left of FIG. 1;
FIG. 6 is a side elevational view as seen from the right of FIG. 1; and
FIG. 7 is a perspective view thereof.

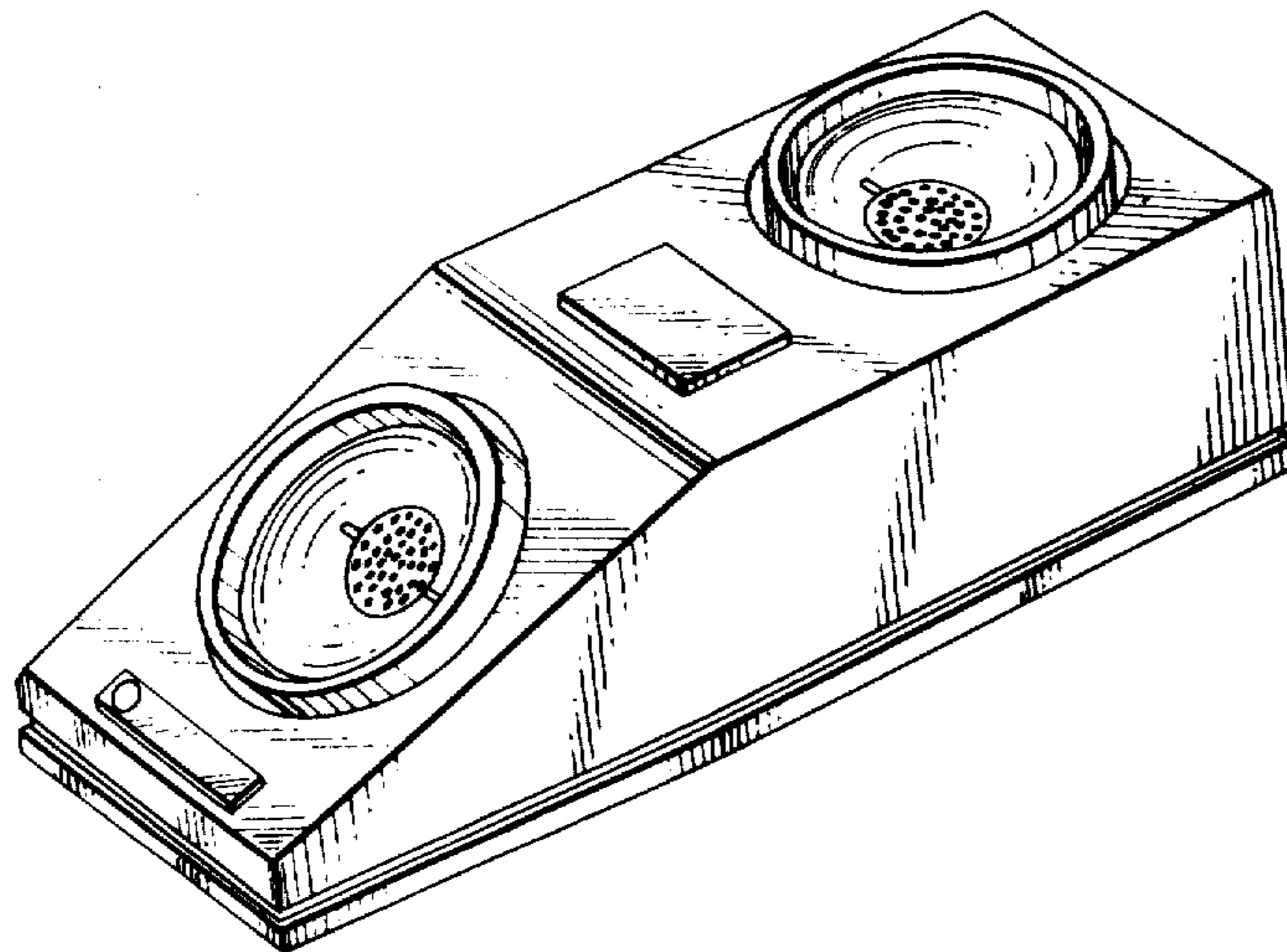


FIG. 1

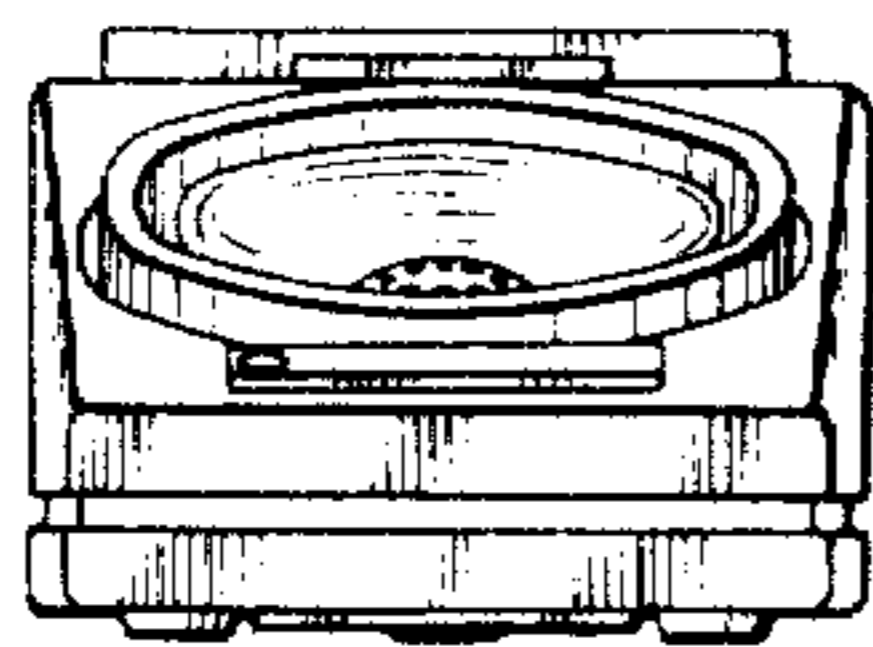


FIG. 2

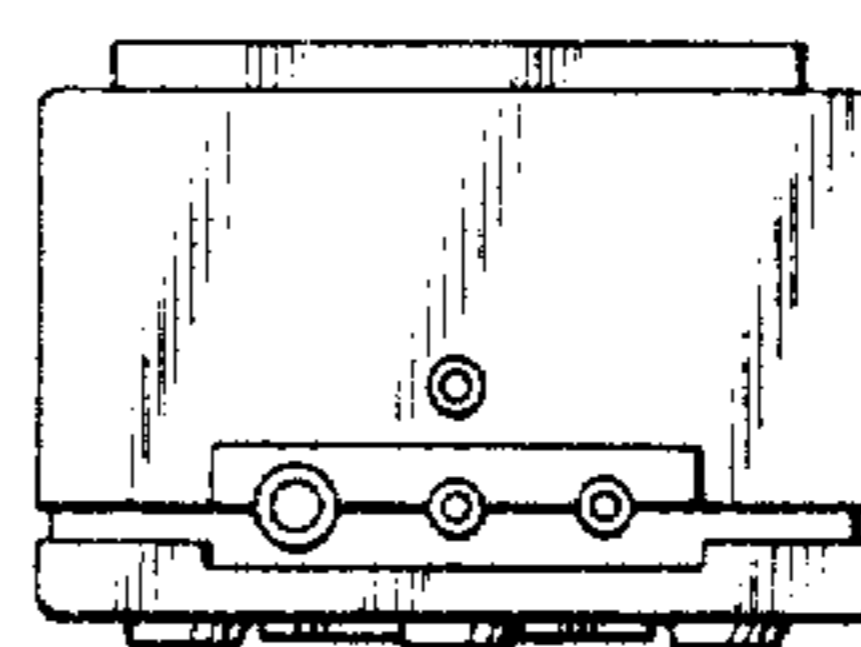


FIG. 3

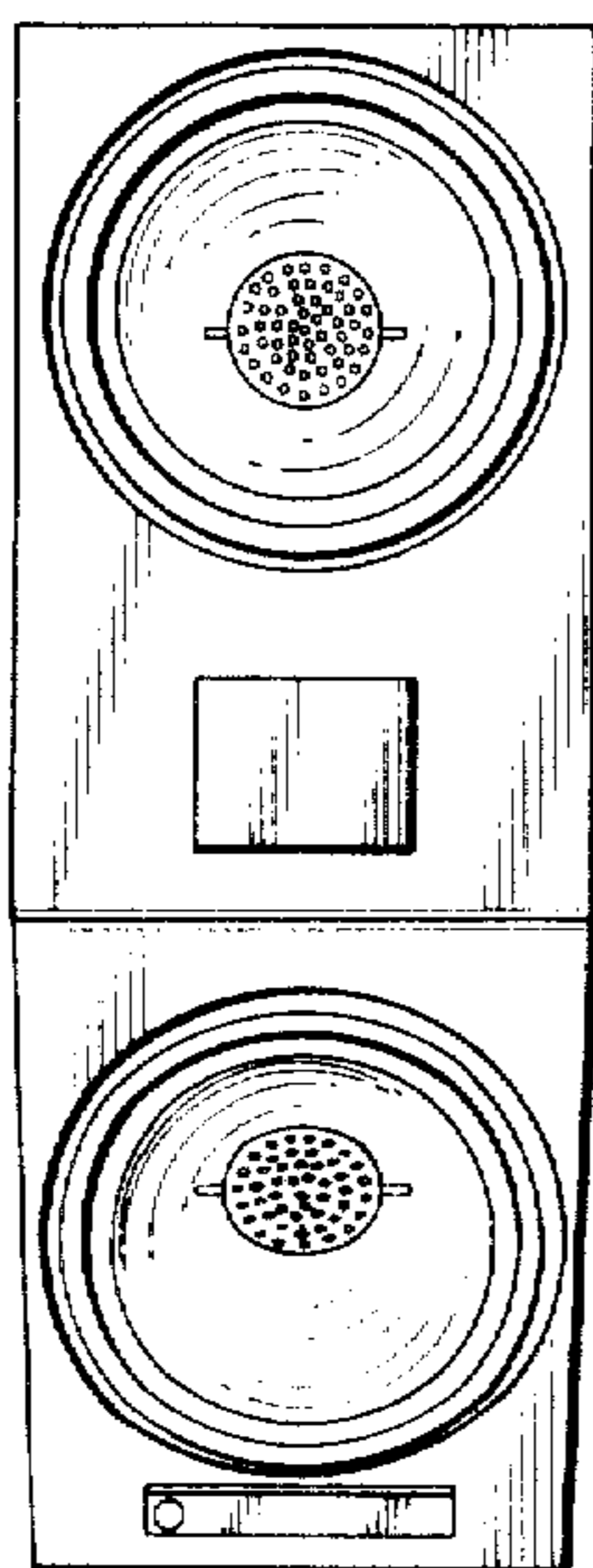


FIG. 4

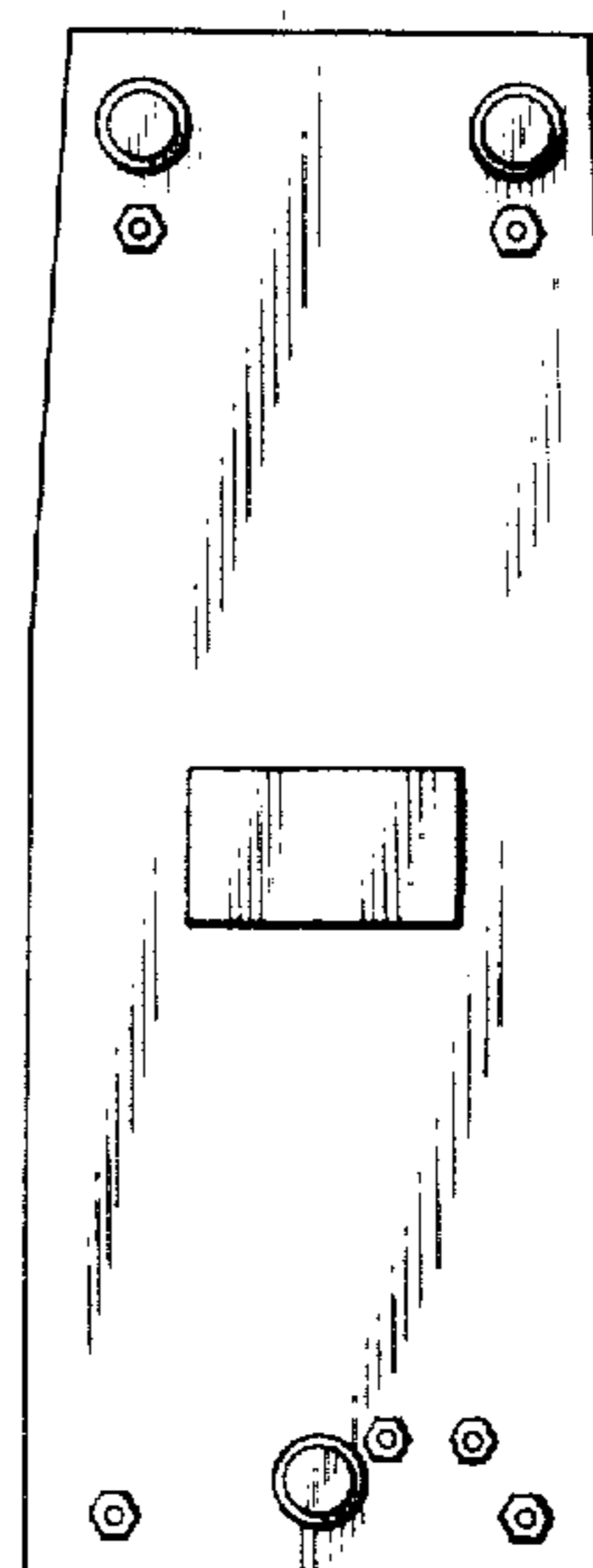


FIG. 5



FIG. 6

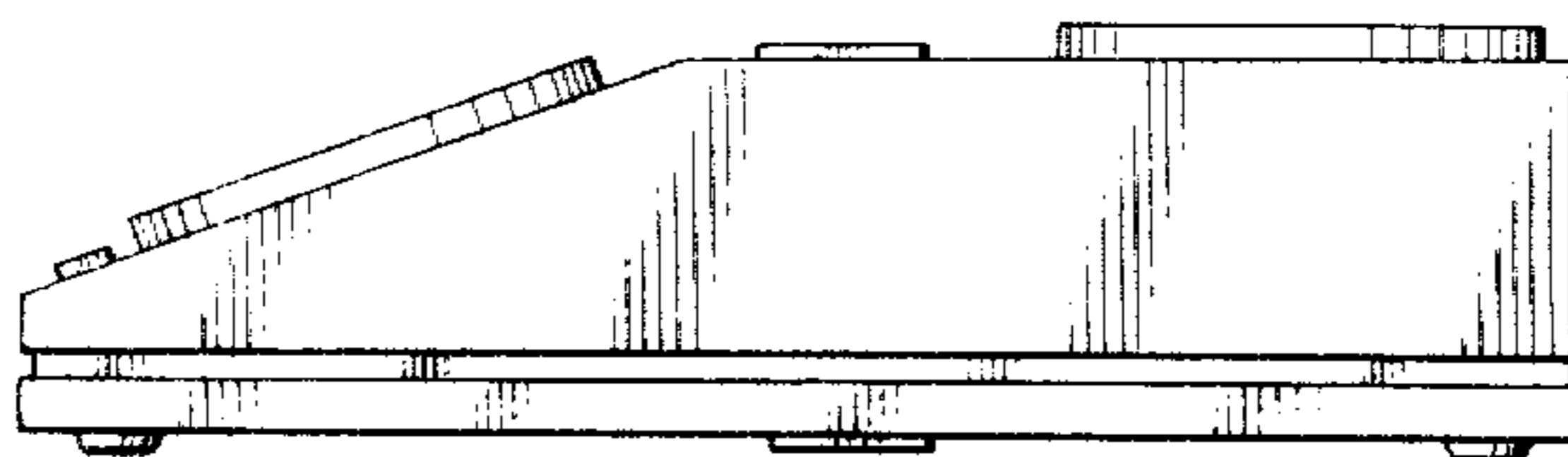


FIG. 7

